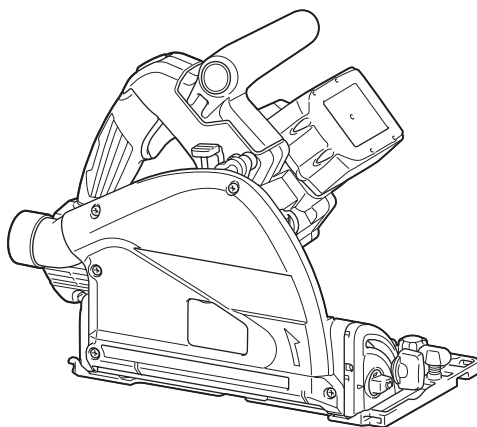




EN	Cordless Plunge Cut Saw	INSTRUCTION MANUAL	9
PL	Akumulatorowa Ręczna Pilarka Tarczowa-Zagłębiarka	INSTRUKCJA OBSŁUGI	21
HU	Akkumulátoros merülőfűrész	HASZNÁLATI KÉZIKÖNYV	36
SK	Akumulátorová ponorná píla	NÁVOD NA OBSLUHU	50
CS	Akumulátorová zapichovací okružní píla	NÁVOD K OBSLUZE	62
UK	Акумуляторна пила для врізання	ІНСТРУКЦІЯ З ЕКСПЛУАТАЦІЇ	74
RO	Ferăstrău pentru decupare prin plonjare cu acumulator	MANUAL DE INSTRUCȚIUNI	89
DE	Akku- Tauchsäge	BETRIEBSANLEITUNG	102

DSP600
DSP601



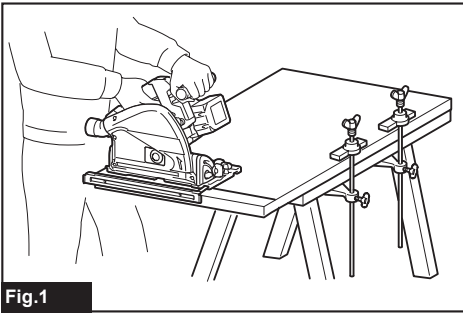


Fig.1

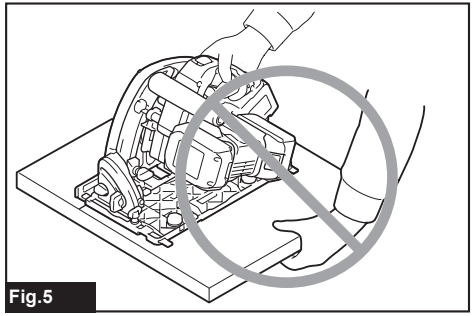


Fig.5

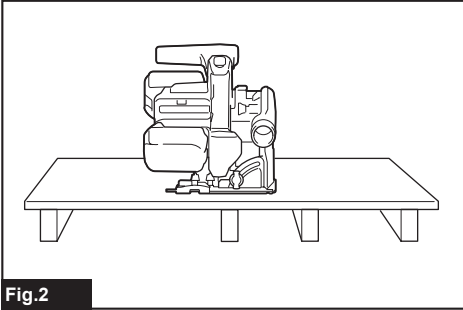


Fig.2

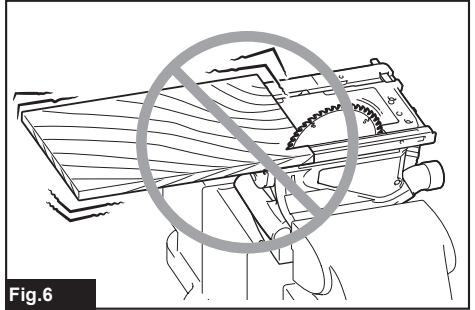


Fig.6

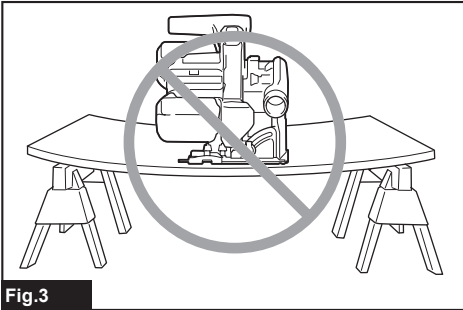


Fig.3

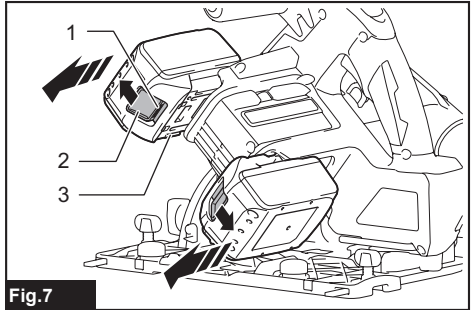


Fig.7

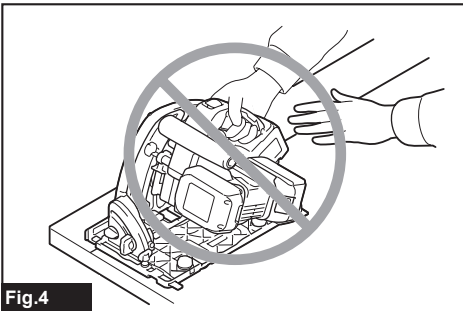


Fig.4

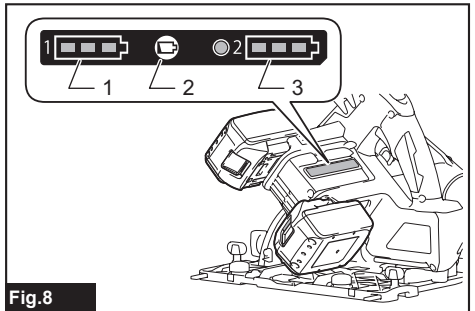


Fig.8

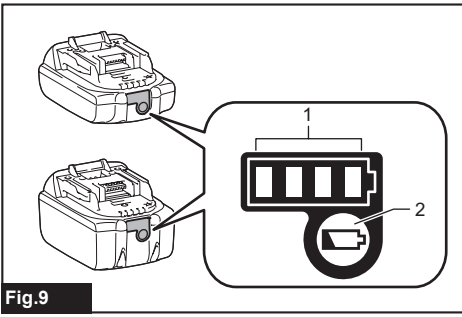


Fig.9

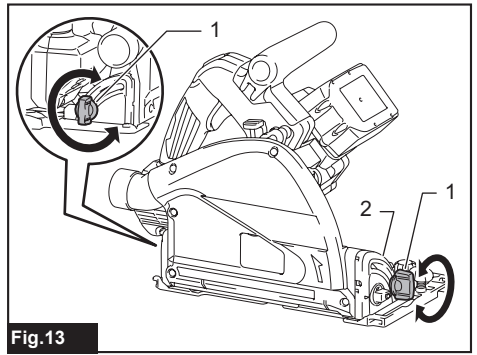


Fig.13

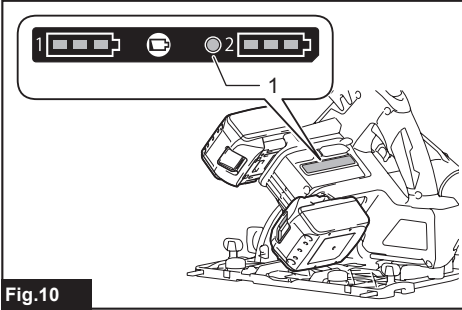


Fig.10

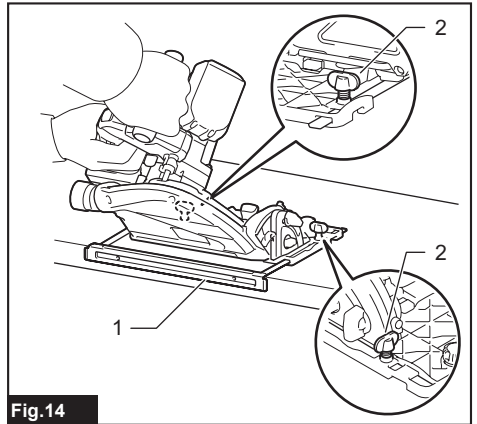


Fig.14

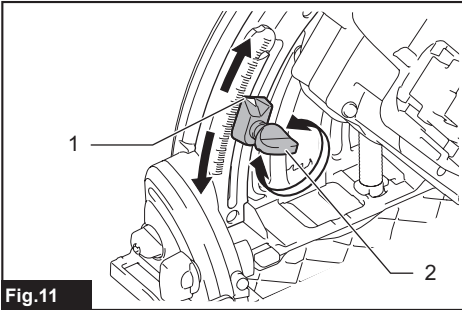


Fig.11

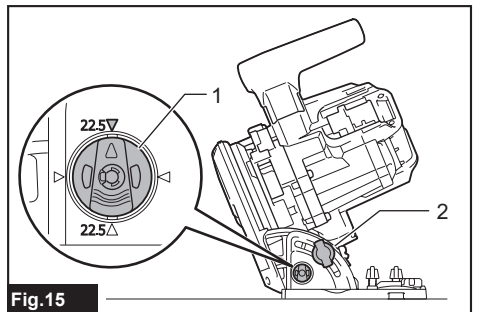


Fig.15

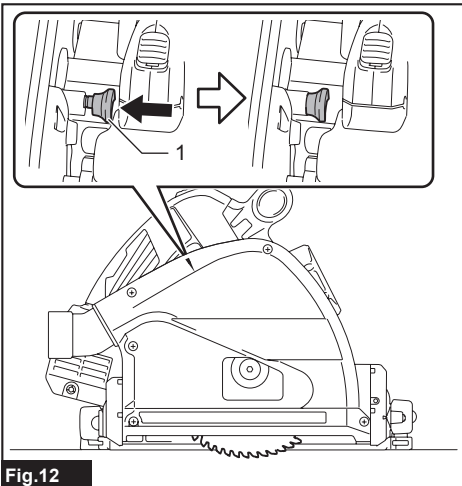


Fig.12

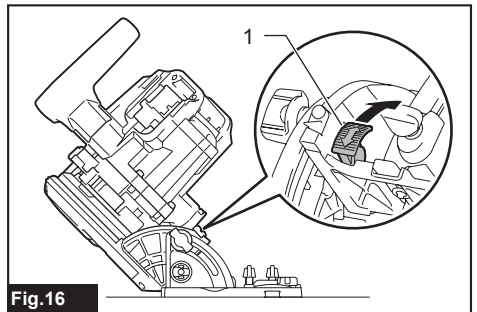


Fig.16

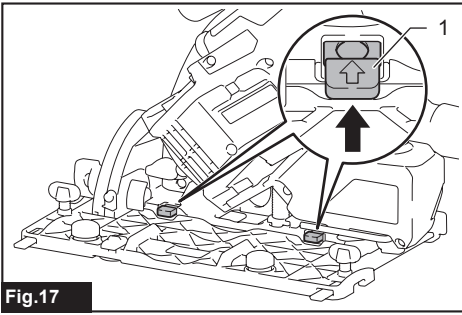


Fig.17

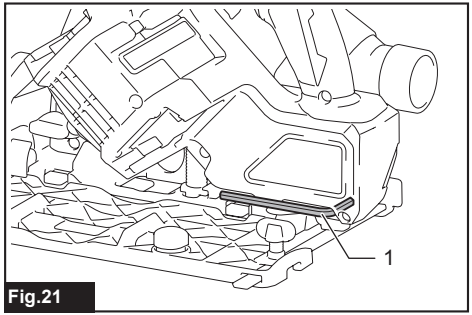


Fig.21

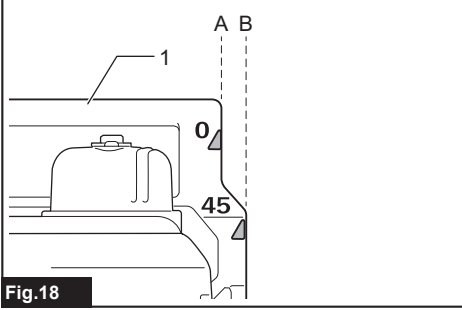


Fig.18

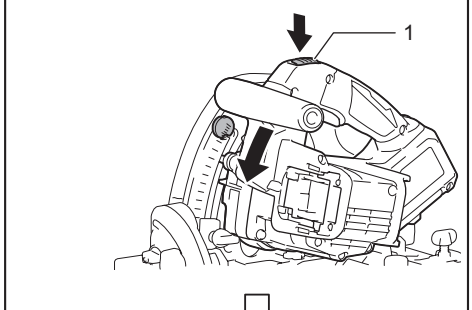


Fig.22

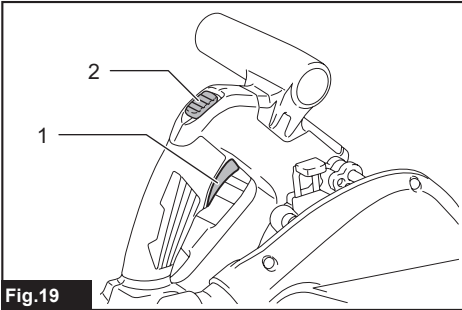


Fig.19

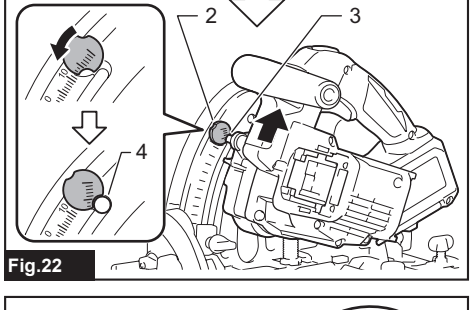


Fig.22

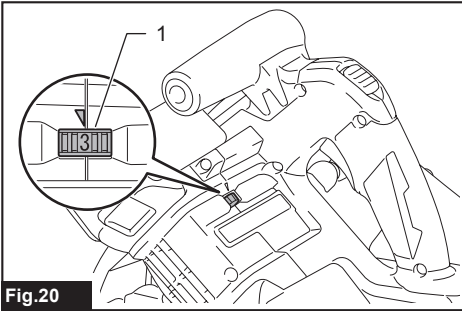


Fig.20

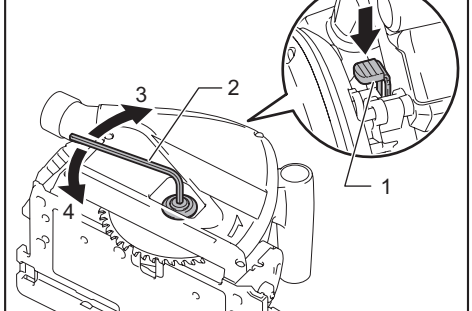


Fig.23

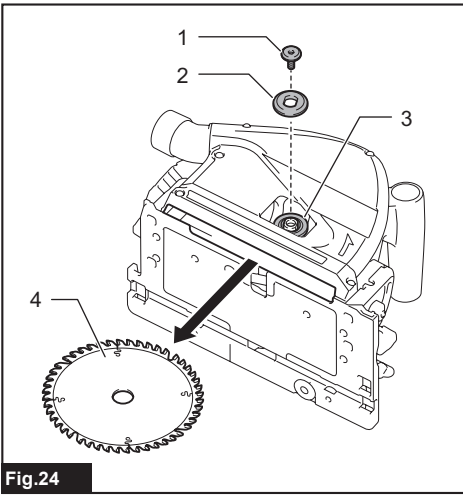


Fig. 24

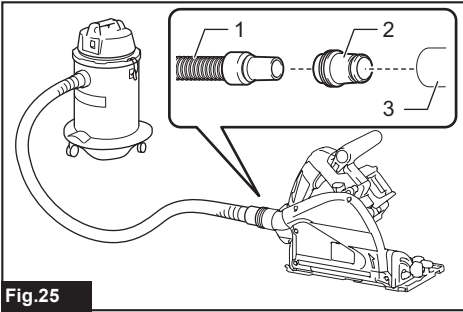


Fig. 25

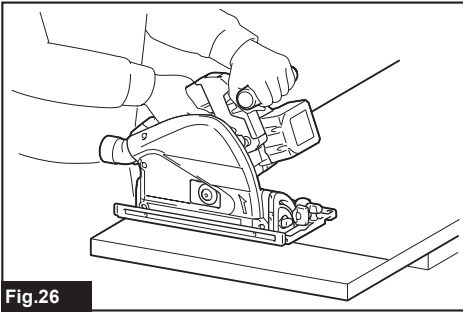


Fig. 26

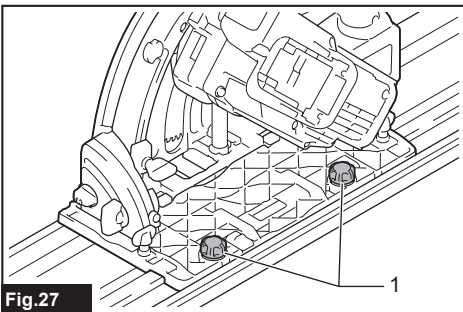


Fig. 27

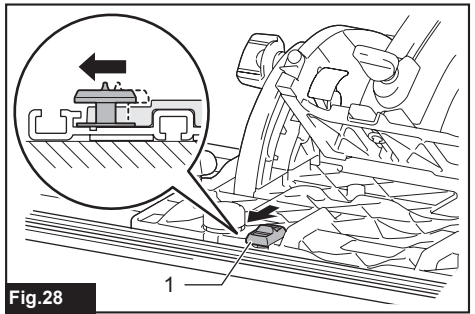


Fig. 28

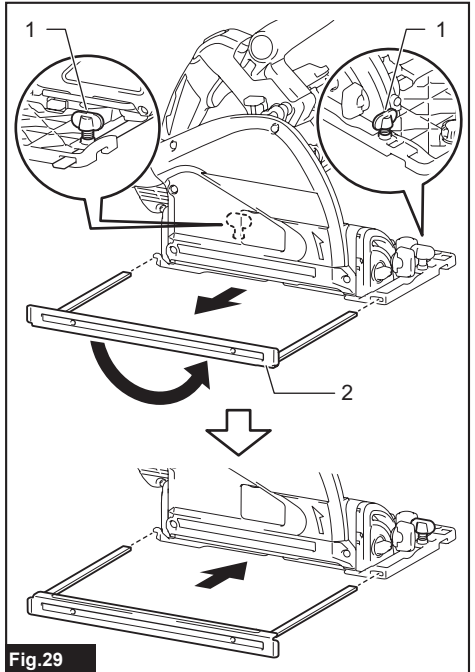


Fig. 29

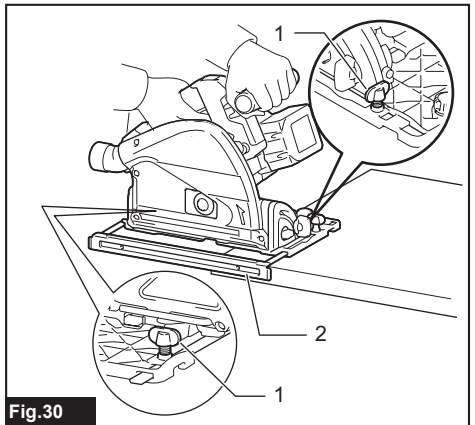


Fig. 30

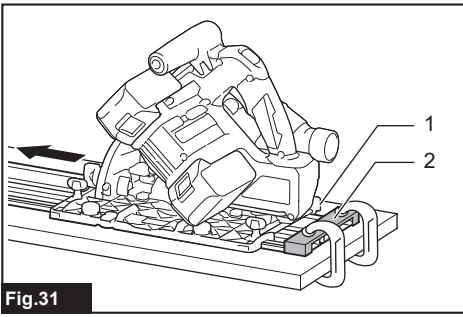


Fig.31

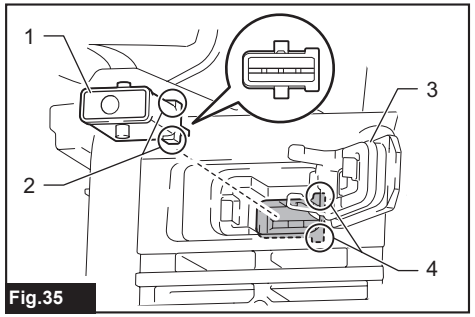


Fig.35

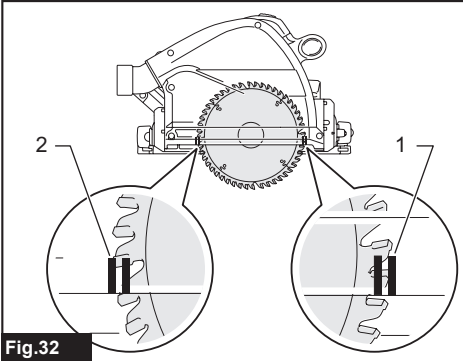


Fig.32

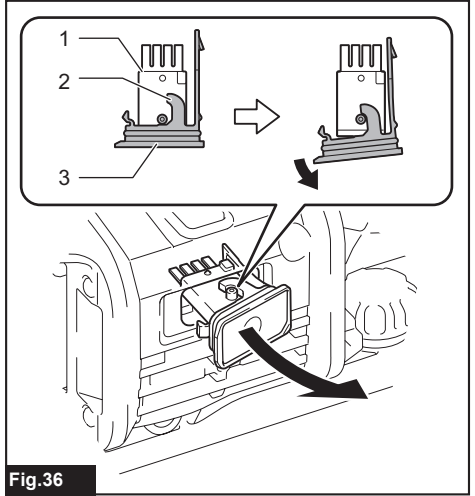


Fig.36

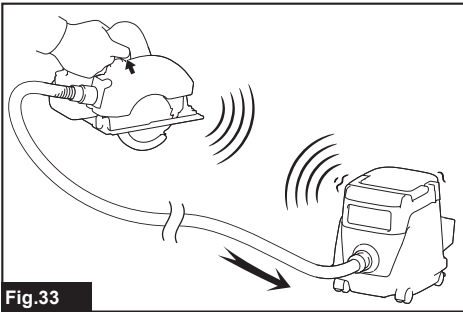


Fig.33

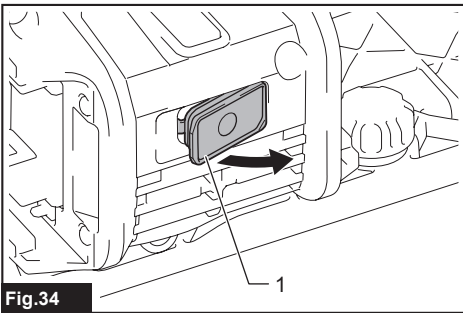


Fig.34

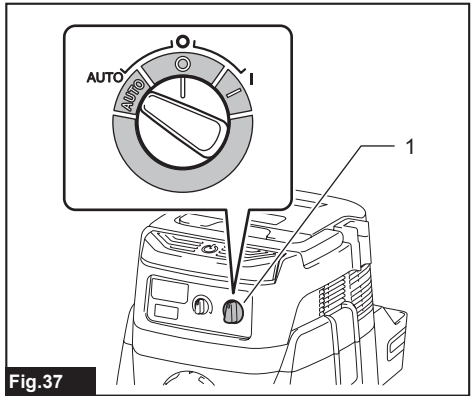


Fig.37

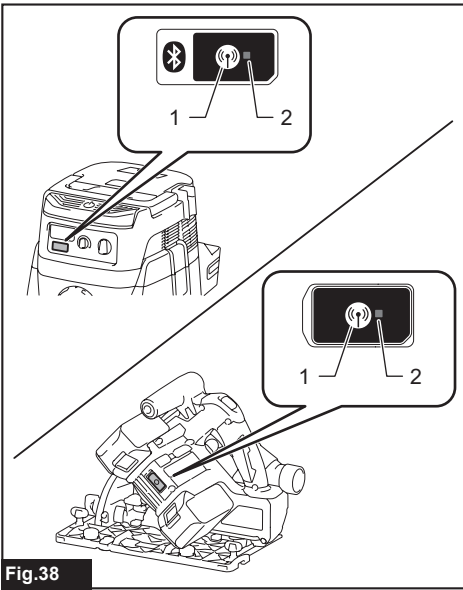


Fig.38

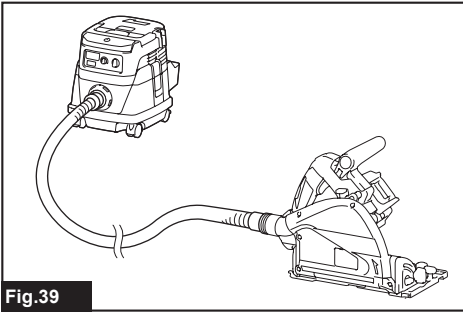


Fig.39

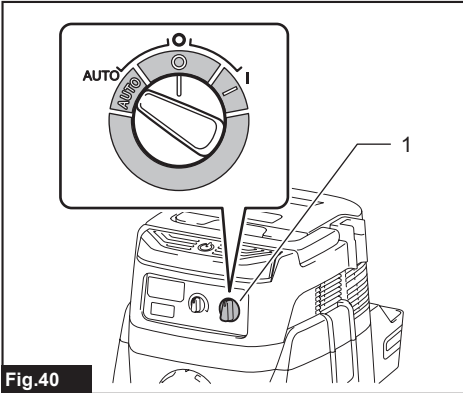


Fig.40

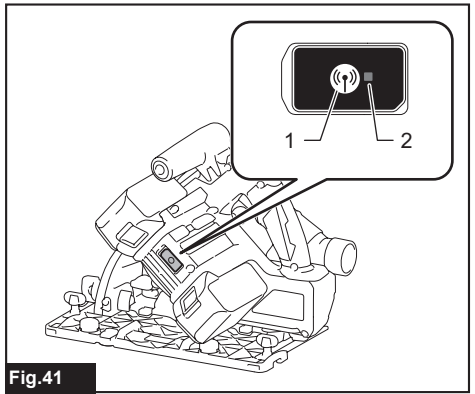


Fig.41

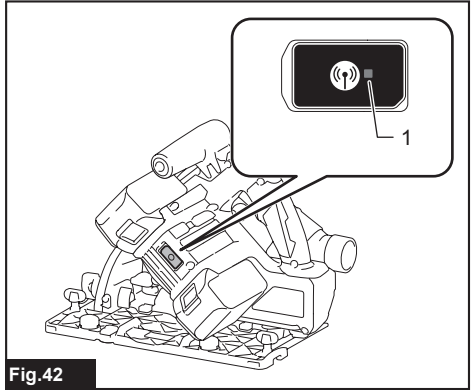


Fig.42

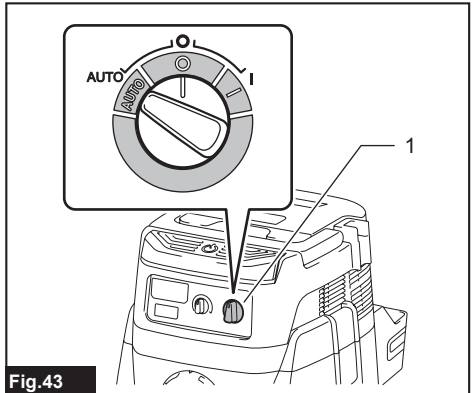


Fig.43

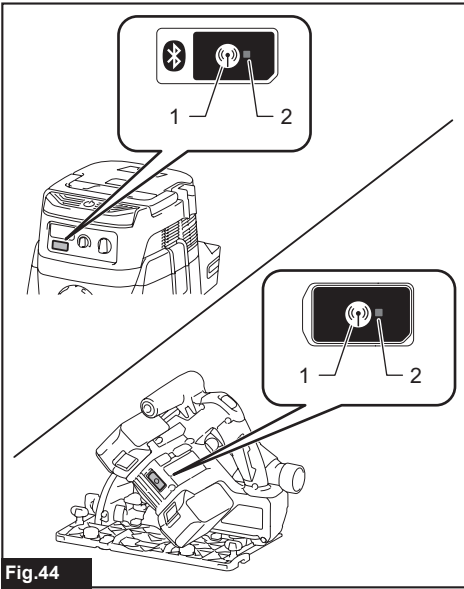


Fig.44

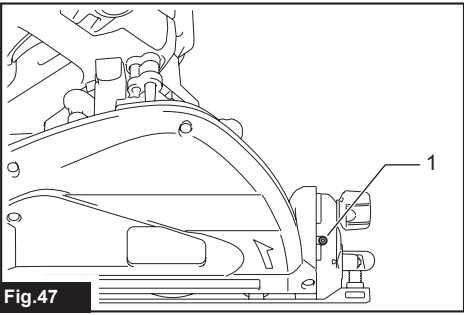


Fig.47

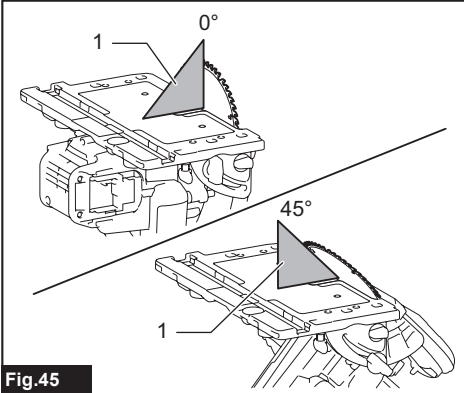


Fig.45

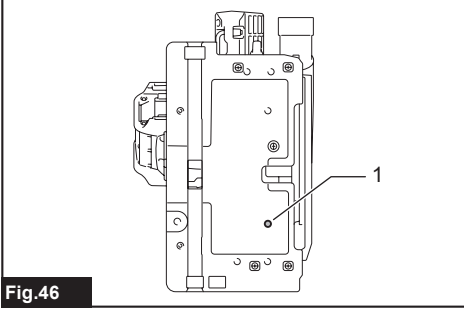


Fig.46

SPECIFICATIONS

Model:	DSP600	DSP601
Blade diameter	165 mm	
Max. Cutting depth	at 0°	56 mm
	at 45° bevel	40 mm
	at 48° bevel	38 mm
No load speed	2,500 - 6,300 min ⁻¹	
Overall length	346 mm	
Rated voltage	D.C. 36 V	
Battery cartridge	BL1815N, BL1820, BL1820B, BL1830, BL1830B, BL1840, BL1840B, BL1850, BL1850B, BL1860B	
Charger	DC18RC, DC18RD, DC18SD, DC18SE, DC18SF	
Net weight	4.4 - 5.1 kg	

- Due to our continuing program of research and development, the specifications herein are subject to change without notice.
- Specifications and battery cartridge may differ from country to country.
- The weight may differ depending on the attachment(s), including the battery cartridge. The lightest and heaviest combination, according to EPTA-Procedure 01/2014, are shown in the table.

Intended use

The tool is specially intended for performing plunge cuts. The tool is also intended for rip and cross cuts in wood. If the tool is equipped with proper circular saw blade, the tool can be used for sawing aluminum, plastic, mineral contained plastic, and similar materials.

Noise

The typical A-weighted noise level determined according to EN62841:

Model DSP600

Sound pressure level (L_{pA}): 92 dB(A)
 Sound power level (L_{WA}): 103 dB (A)
 Uncertainty (K): 3 dB(A)

Model DSP601

Sound pressure level (L_{pA}): 92 dB(A)
 Sound power level (L_{WA}): 103 dB (A)
 Uncertainty (K): 3 dB(A)

⚠ WARNING: Wear ear protection.

Vibration

The vibration total value (tri-axial vector sum) determined according to EN62841:

Model DSP600

Work mode: cutting wood
 Vibration emission ($a_{h,W}$): 2.5 m/s² or less
 Uncertainty (K): 1.5 m/s²

Work mode: cutting metal
 Vibration emission ($a_{h,M}$): 2.5 m/s² or less
 Uncertainty (K): 1.5 m/s²

Model DSP601

Work mode: cutting wood
 Vibration emission ($a_{h,W}$): 2.5 m/s² or less
 Uncertainty (K): 1.5 m/s²

Work mode: cutting metal
 Vibration emission ($a_{h,M}$): 2.5 m/s² or less
 Uncertainty (K): 1.5 m/s²

NOTE: The declared vibration emission value has been measured in accordance with the standard test method and may be used for comparing one tool with another.

NOTE: The declared vibration emission value may also be used in a preliminary assessment of exposure.

⚠ WARNING: The vibration emission during actual use of the power tool can differ from the declared emission value depending on the ways in which the tool is used.

⚠ WARNING: Be sure to identify safety measures to protect the operator that are based on an estimation of exposure in the actual conditions of use (taking account of all parts of the operating cycle such as the times when the tool is switched off and when it is running idle in addition to the trigger time).

EC Declaration of Conformity

For European countries only

The EC declaration of conformity is included as Annex A to this instruction manual.

SAFETY WARNINGS

General power tool safety warnings

⚠ WARNING: Read all safety warnings, instructions, illustrations and specifications provided with this power tool. Failure to follow all instructions listed below may result in electric shock, fire and/or serious injury.

Save all warnings and instructions for future reference.

The term "power tool" in the warnings refers to your mains-operated (corded) power tool or battery-operated (cordless) power tool.

Cordless circular saw safety warnings

Cutting procedures

1. **⚠ DANGER:** Keep hands away from cutting area and the blade. Keep your second hand on auxiliary handle, or motor housing. If both hands are holding the saw, they cannot be cut by the blade.
 2. Do not reach underneath the workpiece. The guard cannot protect you from the blade below the workpiece.
 3. Adjust the cutting depth to the thickness of the workpiece. Less than a full tooth of the blade teeth should be visible below the workpiece.
 4. Never hold the workpiece in your hands or across your leg while cutting. Secure the workpiece to a stable platform. It is important to support the work properly to minimise body exposure, blade binding, or loss of control.
- Fig.1
5. Hold the power tool by insulated gripping surfaces, when performing an operation where the cutting tool may contact hidden wiring or its own cord. Contact with a "live" wire will also make exposed metal parts of the power tool "live" and could give the operator an electric shock.
 6. When ripping, always use a rip fence or straight edge guide. This improves the accuracy of cut and reduces the chance of blade binding.
 7. Always use blades with correct size and shape (diamond versus round) of arbour holes. Blades that do not match the mounting hardware of the saw will run off-centre, causing loss of control.
 8. Never use damaged or incorrect blade washers or bolt. The blade washers and bolt were specially designed for your saw, for optimum performance and safety of operation.

Kickback causes and related warnings

- kickback is a sudden reaction to a pinched, jammed or misaligned saw blade, causing an uncontrolled saw to lift up and out of the workpiece toward the operator;

- when the blade is pinched or jammed tightly by the kerf closing down, the blade stalls and the motor reaction drives the unit rapidly back toward the operator;
- if the blade becomes twisted or misaligned in the cut, the teeth at the back edge of the blade can dig into the top surface of the wood causing the blade to climb out of the kerf and jump back toward the operator.

Kickback is the result of saw misuse and/or incorrect operating procedures or conditions and can be avoided by taking proper precautions as given below.

1. **Maintain a firm grip with both hands on the saw and position your arms to resist kickback forces. Position your body to either side of the blade, but not in line with the blade.** Kickback could cause the saw to jump backwards, but kickback forces can be controlled by the operator, if proper precautions are taken.
2. **When blade is binding, or when interrupting a cut for any reason, release the trigger and hold the saw motionless in the material until the blade comes to a complete stop. Never attempt to remove the saw from the work or pull the saw backward while the blade is in motion or kickback may occur.** Investigate and take corrective actions to eliminate the cause of blade binding.
3. **When restarting a saw in the workpiece, centre the saw blade in the kerf so that the saw teeth are not engaged into the material.** If a saw blade binds, it may walk up or kickback from the workpiece as the saw is restarted.
4. **Support large panels to minimise the risk of blade pinching and kickback.** Large panels tend to sag under their own weight. Supports must be placed under the panel on both sides, near the line of cut and near the edge of the panel.

► Fig.2

► Fig.3

5. **Do not use dull or damaged blades.** Unsharpened or improperly set blades produce narrow kerf causing excessive friction, blade binding and kickback.
6. **Blade depth and bevel adjusting locking levers must be tight and secure before making the cut.** If blade adjustment shifts while cutting, it may cause binding and kickback.
7. **Use extra caution when sawing into existing walls or other blind areas.** The protruding blade may cut objects that can cause kickback.
8. **ALWAYS hold the tool firmly with both hands. NEVER place your hand, leg or any part of your body under the tool base or behind the saw, especially when making cross-cuts.** If kickback occurs, the saw could easily jump backwards over your hand, leading to serious personal injury.

► Fig.4

9. **Never force the saw. Push the saw forward at a speed so that the blade cuts without slowing.** Forcing the saw can cause uneven cuts, loss of accuracy, and possible kickback.

Guard function

1. **Check the guard for proper closing before each use. Do not operate the saw if the guard does not move freely and enclose the blade instantly. Never clamp or tie the guard so that the blade is exposed.** If the saw is accidentally dropped, the guard may be bent. Check to make sure that the guard moves freely and does not touch the blade or any other part, in all angles and depths of cut.
2. **Check the operation and condition of the guard return spring. If the guard and the spring are not operating properly, they must be serviced before use.** The guard may operate sluggishly due to damaged parts, gummy deposits, or a build-up of debris.
3. **Assure that the base plate of the saw will not shift while performing a "plunge cut".** Blade shifting sideways will cause binding and likely kick back.
4. **Always observe that the guard is covering the blade before placing the saw down on bench or floor.** An unprotected, coasting blade will cause the saw to walk backwards, cutting whatever is in its path. Be aware of the time it takes for the blade to stop after the switch is released.

Additional safety warnings

1. **Use extra caution when cutting damp wood, pressure treated lumber, or wood containing knots.** Maintain smooth advancement of tool without decrease in blade speed to avoid overheating the blade tips and if cutting plastics, to avoid melting the plastic.
2. **Do not attempt to remove cut material when blade is moving. Wait until blade stops before grasping cut material.** Blades coast after turn off.
3. **Avoid cutting nails. Inspect for and remove all nails from lumber before cutting.**
4. **Place the wider portion of the saw base on that part of the workpiece which is solidly supported, not on the section that will fall off when the cut is made. If the workpiece is short or small, clamp it down. DO NOT TRY TO HOLD SHORT PIECES BY HAND!**
► Fig.5
5. **Before setting the tool down after completing a cut, be sure that the guard has closed and the blade has come to a complete stop.**
6. **Never attempt to saw with the circular saw held upside down in a vise. This is extremely dangerous and can lead to serious accidents.**
► Fig.6
7. **Some material contains chemicals which may be toxic. Take caution to prevent dust inhalation and skin contact. Follow material supplier safety data.**
8. **Do not stop the blades by lateral pressure on the saw blade.**
9. **Do not use any abrasive wheels.**
10. **Only use the saw blade with the diameter that is marked on the tool or specified in the manual. Use of an incorrectly sized blade may affect the proper guarding of the blade or guard operation which could result in serious personal injury.**

11. **Keep blade sharp and clean.** Gum and wood pitch hardened on blades slows saw and increases potential for kickback. Keep blade clean by first removing it from tool, then cleaning it with gum and pitch remover, hot water or kerosene. Never use gasoline.
12. **Wear a dust mask and hearing protection when use the tool.**
13. **Always use the saw blade intended for cutting the material that you are going to cut.**
14. **Only use the saw blades that are marked with a speed equal or higher than the speed marked on the tool.**
15. **(For European countries only)**
Always use the blade which conforms to EN847-1.

SAVE THESE INSTRUCTIONS.

⚠WARNING: DO NOT let comfort or familiarity with product (gained from repeated use) replace strict adherence to safety rules for the subject product. MISUSE or failure to follow the safety rules stated in this instruction manual may cause serious personal injury.

Important safety instructions for battery cartridge

1. **Before using battery cartridge, read all instructions and cautionary markings on (1) battery charger, (2) battery, and (3) product using battery.**
2. **Do not disassemble battery cartridge.**
3. **If operating time has become excessively shorter, stop operating immediately. It may result in a risk of overheating, possible burns and even an explosion.**
4. **If electrolyte gets into your eyes, rinse them out with clear water and seek medical attention right away. It may result in loss of your eyesight.**
5. **Do not short the battery cartridge:**
 - (1) **Do not touch the terminals with any conductive material.**
 - (2) **Avoid storing battery cartridge in a container with other metal objects such as nails, coins, etc.**
 - (3) **Do not expose battery cartridge to water or rain.**

A battery short can cause a large current flow, overheating, possible burns and even a breakdown.
6. **Do not store the tool and battery cartridge in locations where the temperature may reach or exceed 50 °C (122 °F).**
7. **Do not incinerate the battery cartridge even if it is severely damaged or is completely worn out. The battery cartridge can explode in a fire.**
8. **Be careful not to drop or strike battery.**
9. **Do not use a damaged battery.**

10. **The contained lithium-ion batteries are subject to the Dangerous Goods Legislation requirements.**
For commercial transports e.g. by third parties, forwarding agents, special requirement on packaging and labeling must be observed. For preparation of the item being shipped, consulting an expert for hazardous material is required. Please also observe possibly more detailed national regulations.
Tape or mask off open contacts and pack up the battery in such a manner that it cannot move around in the packaging.
11. **Follow your local regulations relating to disposal of battery.**
12. **Use the batteries only with the products specified by Makita.** Installing the batteries to non-compliant products may result in a fire, excessive heat, explosion, or leak of electrolyte.
8. **The wireless unit can produce electromagnetic fields (EMF) but they are not harmful to the user.**
9. **The wireless unit is an accurate instrument. Be careful not to drop or strike the wireless unit.**
10. **Avoid touching the terminal of the wireless unit with bare hands or metallic materials.**
11. **Always remove the battery on the tool when installing the wireless unit.**
12. **When opening the lid of the slot, avoid the place where dust and water may come into the slot. Always keep the inlet of the slot clean.**
13. **Always insert the wireless unit in the correct direction.**
14. **Do not press the wireless activation button on the wireless unit too hard and/or press the button with an object with a sharp edge.**
15. **Always close the lid of the slot when operating.**

SAVE THESE INSTRUCTIONS.

⚠CAUTION: Only use genuine Makita batteries. Use of non-genuine Makita batteries, or batteries that have been altered, may result in the battery bursting causing fires, personal injury and damage. It will also void the Makita warranty for the Makita tool and charger.

Tips for maintaining maximum battery life

1. **Charge the battery cartridge before completely discharged. Always stop tool operation and charge the battery cartridge when you notice less tool power.**
2. **Never recharge a fully charged battery cartridge. Overcharging shortens the battery service life.**
3. **Charge the battery cartridge with room temperature at 10 °C - 40 °C (50 °F - 104 °F). Let a hot battery cartridge cool down before charging it.**
4. **Charge the battery cartridge if you do not use it for a long period (more than six months).**

Important safety instructions for wireless unit

1. **Do not disassemble or tamper with the wireless unit.**
2. **Keep the wireless unit away from young children. If accidentally swallowed, seek medical attention immediately.**
3. **Use the wireless unit only with Makita tools.**
4. **Do not expose the wireless unit to rain or wet conditions.**
5. **Do not use the wireless unit in places where the temperature exceeds 50°C (122°F).**
6. **Do not operate the wireless unit in places where medical instruments, such as heart pace makers are near by.**
7. **Do not operate the wireless unit in places where automated devices are near by.** If operated, automated devices may develop malfunction or error.

20. **Do not remove the wireless unit from the slot while the power is being supplied to the tool.** Doing so may cause a malfunction of the wireless unit.
21. **Do not remove the sticker on the wireless unit.**
18. **Do not put any sticker on the wireless unit.**
19. **Do not leave the wireless unit in a place where static electricity or electrical noise could be generated.**
20. **Do not leave the wireless unit in a place subject to high heat, such as a car sitting in the sun.**
21. **Do not leave the wireless unit in a dusty or powdery place or in a place corrosive gas could be generated.**
22. **Sudden change of the temperature may bedew the wireless unit. Do not use the wireless unit until the dew is completely dried.**
23. **When cleaning the wireless unit, gently wipe with a dry soft cloth. Do not use benzine, thinner, conductive grease or the like.**
24. **When storing the wireless unit, keep it in the supplied case or a static-free container.**
25. **Do not insert any devices other than Makita wireless unit into the slot on the tool.**
26. **Do not use the tool with the lid of the slot damaged.** Water, dust, and dirt come into the slot may cause malfunction.
27. **Do not pull and/or twist the lid of the slot more than necessary.** Restore the lid if it comes off from the tool.
28. **Replace the lid of the slot if it is lost or damaged.**

SAVE THESE INSTRUCTIONS.

FUNCTIONAL DESCRIPTION

CAUTION: Always be sure that the tool is switched off and the battery cartridge is removed before adjusting or checking function on the tool.

Installing or removing battery cartridge

CAUTION: Always switch off the tool before installing or removing of the battery cartridge.

CAUTION: Hold the tool and the battery cartridge firmly when installing or removing battery cartridge. Failure to hold the tool and the battery cartridge firmly may cause them to slip off your hands and result in damage to the tool and battery cartridge and a personal injury.

► Fig.7: 1. Red indicator 2. Button 3. Battery cartridge

To remove the battery cartridge, slide it from the tool while sliding the button on the front of the cartridge.

To install the battery cartridge, align the tongue on the battery cartridge with the groove in the housing and slip it into place. Insert it all the way until it locks in place with a little click. If you can see the red indicator on the upper side of the button, it is not locked completely.

CAUTION: Always install the battery cartridge fully until the red indicator cannot be seen. If not, it may accidentally fall out of the tool, causing injury to you or someone around you.

CAUTION: Do not install the battery cartridge forcibly. If the cartridge does not slide in easily, it is not being inserted correctly.

NOTE: The tool does not work with only one battery cartridge.

Tool / battery protection system


The tool is equipped with a tool/battery protection system. This system automatically cuts off power to the motor to extend tool and battery life. The tool will automatically stop during operation if the tool or battery is placed under one of the following conditions.

Overload protection

When the tool is operated in a manner that causes it to draw an abnormally high current, the tool automatically stops. In this situation, turn the tool off and stop the application that caused the tool to become overloaded. Then turn the tool on to restart.

Overheat protection

When the tool is overheated, the tool stops automatically, and the battery indicator blink about 60 seconds. In this situation, let the tool cool down before turning the tool on again.

■ On	▣ Blinking
	


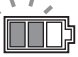


Overdischarge protection

When the battery capacity becomes low, the tool stops automatically. If the product does not operate even when the switches are operated, remove the batteries from the tool and charge the batteries.

Indicating the remaining battery capacity

► Fig.8: 1. Battery indicator (for upper battery)
2. Check button 3. Battery indicator (for lower battery)

Press the check button to indicate the remaining battery capacities. The battery indicators correspond to each battery.






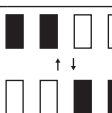
Battery indicator status			Remaining battery capacity
■ On	□ Off	▣ Blinking	
			50% to 100%
			20% to 50%
			0% to 20%
			Charge the battery

Indicating the remaining battery capacity

Only for battery cartridges with the indicator

► Fig.9: 1. Indicator lamps 2. Check button

Press the check button on the battery cartridge to indicate the remaining battery capacity. The indicator lamps light up for a few seconds.

Indicator lamps			Remaining capacity
■ Lighted	□ Off	▣ Blinking	
			75% to 100%
			50% to 75%
			25% to 50%
			0% to 25%
			Charge the battery.
			The battery may have malfunctioned.

NOTE: Depending on the conditions of use and the ambient temperature, the indication may differ slightly from the actual capacity.

Automatic speed change function

NOTE: Automatic speed change function is only available when the speed adjusting dial is in 5.

This tool has "high speed mode" and "high torque mode".

The tool automatically changes the operation mode depending on the work load. When the work load is low, the tool will run in the "high speed mode" for quicker cutting operation. When the work load is high, the tool will run in the "high torque mode" for powerful cutting operation.

► **Fig.10:** 1. Mode indicator

The mode indicator lights up in green when the tool is running in "high torque mode".

If the tool is operated with excessive load, the mode indicator will blink in green. The mode indicator stops blinking and then lights up or turns off if you reduce the load on the tool.

Mode indicator status			Operation mode
● On	○ Off	◐ Blinking	
	◐		High speed mode
		●	High torque mode
		◐	Overload alert

Adjusting depth of cut

CAUTION: After adjusting the depth of cut, always tighten the clamping screw securely.

Loosen the clamping screw on the depth guide and move the blade lower limit stopper to the desired depth on the scale plate. At the desired depth of cut, tighten the clamping screw firmly.

For cleaner, safer cuts, set cut depth so that no more than one blade tooth projects below workpiece. Using proper cut depth helps to reduce potential for dangerous KICKBACKS which can cause personal injury.

► **Fig.11:** 1. Blade lower limit stopper 2. Clamping screw

Quick stop button for 2 to 3 mm depth of cut when using guide rail (optional accessory)

This tool has the quick stop button for 2 to 3 mm depth of cut on the gear housing aside the rear handle when using guide rail. This is used when avoiding splinter on the workpiece in the cut. Make a pass of the 2 to 3 mm first cut and then make another pass of usual cut.

► **Fig.12:** 1. Quick stop button

To obtain the 2 to 3 mm depth of cut, push in the quick stop button toward the saw blade. This is convenient for avoiding splinter on the workpiece.

To release the depth of cut from this position for free depth of cut, just pull the button back.

Bevel cutting

Loosen the clamping screws. Set for the desired angle by tilting accordingly, then tighten the clamping screws securely.

► **Fig.13:** 1. Clamping screw 2. Bevel scale plate

► **Fig.14:** 1. Sub base (Optional accessory)
2. Clamping screw

Positive stopper

The positive stopper is useful for setting the designated angle quickly. Turn the positive stopper so that the arrow on it points 22.5°. Loosen the clamping screws in front and back. Then tilt the blade until it stops and secure the base with the clamping screws.

► **Fig.15:** 1. Positive stopper 2. Clamping screw

48°-bevel cutting

To perform 48°-bevel cutting, loosen the clamping screws and fully tilt the lever toward the direction of the arrow in the figure. Then set the bevel angle to 48° and tighten the clamping screws.

► **Fig.16:** 1. Lever

-1°-bevel cutting

To perform -1°-bevel cutting, loosen the clamping screws and press the levers toward the direction of the arrow in the figure. Then set the bevel angle to -1° and tighten the clamping screws.

► **Fig.17:** 1. Lever

Sighting

► **Fig.18:** 1. Base

The cutting line varies depending on the cutting angle and whether you use the guide rail (optional accessory).

When using the tool without guide rail

For straight cuts, align the A position on the front of the base with your cutting line. For 45° bevel cuts, align the B position with it.

When using the tool with guide rail

For both straight cuts and 45° bevel cuts, always align the A position on the front of the base with your cutting line.

Switch action

⚠ WARNING: Before installing the battery cartridge into the tool, always check to see that the switch trigger actuates properly and returns to the "OFF" position when released.

⚠ WARNING: NEVER defeat the lock-off button by taping down or some other means. A switch with a negated lock-off button may result in unintentional operation and serious personal injury.

⚠ WARNING: NEVER use the tool if it runs when you simply pull the switch trigger without pressing the lock-off button. A switch in need of repair may result in unintentional operation and serious personal injury. Return tool to a Makita service center for proper repairs BEFORE further usage.

To prevent the switch trigger from being accidentally pulled, a lock-off button is provided. To start the tool, depress the lock-off button and pull the switch trigger. Release the switch trigger to stop.

► Fig.19: 1. Switch trigger 2. Lock-off button

NOTICE: Do not pull the switch trigger hard without pressing in the lock-off button. This can cause switch breakage.

Speed adjusting dial

The tool speed can be adjusted by turning the adjusting dial. The speed of the blade rotation increases as you increase the number on the speed adjusting dial.

► Fig.20: 1. Speed adjusting dial

Refer to the table to select the proper speed for the workpiece to be cut. However, the appropriate speed may differ with the type or thickness of the workpiece. In general, higher speeds will allow you to cut workpieces faster but the service life of the blade will be reduced.

Number	Blade rotating speed per minute (min ⁻¹)
1	2,500 min ⁻¹
2	2,900 min ⁻¹
3	3,900 min ⁻¹
4	4,900 min ⁻¹
5	6,300 min ⁻¹

⚠ CAUTION: The speed adjusting dial is not for using low speed rated saw blades but for obtaining a speed which is suitable to material of workpiece. Use only saw blades which are rated for at least the maximum no load speed stated in the SPECIFICATIONS.

NOTICE: The speed adjusting dial can be turned only as far as 5 and back to 1. Do not force it past 5 or 1, or the speed adjusting function may no longer work.

Electronic function

The tools equipped with electronic function are easy to operate because of the following features.

Overload protector

When the tool is overloaded and current flows above a certain level, the tool automatically stops to protect motor.

Constant speed control

Electronic speed control for obtaining constant speed. Possible to get fine finish, because the rotating speed is kept constant even under load condition.

Soft start feature

Soft start because of suppressed starting shock.

ASSEMBLY

⚠ CAUTION: Always be sure that the tool is switched off and the battery cartridge is removed before carrying out any work on the tool.

Hex wrench storage

When not in use, store the hex wrench as shown in the figure to keep it from being lost.

► Fig.21: 1. Hex wrench

Removing or installing circular saw blade

⚠ CAUTION: Be sure the circular saw blade is installed with teeth pointing up at the front of the tool.

⚠ CAUTION: Use only the Makita wrench to install or remove the circular saw blade.

To remove the circular saw blade:

1. Depress the lock-off button and lower the handle a little. Turn the locking lever and lower the handle until the lock pin fits in the hole.

► Fig.22: 1. Lock-off button 2. Locking lever 3. Lock pin 4. Hole for lock pin

2. Press the shaft lock fully so that the blade cannot revolve and use the hex wrench to loosen the hex bolt.

► Fig.23: 1. Shaft lock 2. Hex wrench 3. Tighten 4. Loosen

3. Remove the hex bolt, outer flange, and circular saw blade.

► Fig.24: 1. Hex bolt 2. Outer flange 3. Inner flange 4. Circular saw blade

⚠ WARNING: If the inner flange is removed, be sure to install it on the spindle. When installing, choose a correct side on which protrusion fits into the saw blade hole perfectly. Mounting the blade on the wrong side can result in the dangerous vibration.

To install the circular saw blade, follow the removal procedure in reverse. Depress the lock-off button to release the lock pin from the hole.

⚠ WARNING: BE SURE TO TIGHTEN THE HEX BOLT SECURELY. Also be careful not to tighten the bolt forcibly. Slipping your hand from the hex wrench can cause a personal injury.

Blade guard cleaning

When changing the circular saw blade, make sure to also clean the blade guard of accumulated sawdust as discussed in the Maintenance section. Such efforts do not replace the need to check guard operation before each use.

Connecting a vacuum cleaner

Optional accessory

When you wish to perform clean cutting operation, connect a Makita vacuum cleaner to your tool. Connect a hose of the vacuum cleaner to the dust nozzle using the front cuff 24.

► **Fig.25:** 1. Hose of the vacuum cleaner 2. Front cuff 24 3. Dust nozzle

OPERATION

⚠ CAUTION: Be sure to move the tool forward in a straight line gently. Forcing or twisting the tool will result in overheating the motor and dangerous kickback, possibly causing severe injury.

⚠ CAUTION: Never approach any part of your body under the tool base when section cutting, especially at starting. Doing so may cause serious personal injuries. The blade is exposed under the tool base.

NOTE: When the battery cartridge temperature is low, the tool may not work to its full capacity. At this time, for example, use the tool for a light-duty cut for a while until the battery cartridge warms up as high as room temperature. Then, the tool can work to its full capacity.

Section cutting (ordinary sawing)

► **Fig.26**

Hold the tool firmly. The tool is provided with both a front grip and rear handle. Use both to best grasp the tool. If both hands are holding saw, they cannot be cut by the circular saw blade. Set the base on the workpiece to be cut without the circular saw blade making any contact. Then push in the lock-off button and pull the switch trigger. Wait until the circular saw blade attains full speed. Now press down the saw head slowly to the preset depth of cut and simply move the tool forward over the workpiece surface, keeping it flat and advancing smoothly until the sawing is completed. To get clean cuts, keep your sawing line straight and your speed of advance uniform. If the cut fails to properly follow your intended cut line, do not attempt to turn or force the tool back to the cut line. Doing so may bind the circular saw blade and lead to dangerous kickback and possible serious injury. Release the switch, wait for the circular saw blade to stop and then withdraw the tool. Realign the tool on new cut line, and start cut again. Attempt to avoid positioning which exposes operator to chips and wood dust being ejected from the saw. Use eye protection to help avoid injury.

Guide rail

Optional accessory

Place the tool on the rear end of guide rail. Turn two adjusting screws on the tool base so that the tool slides smoothly without a clatter. Hold both the front grip and rear handle of the tool firmly. Turn on the tool, press down the tool to the preset cutting depth and cut the splinter-guard along the full length with a stroke. Now the edge of the splinterguard corresponds to the cutting edge.

► **Fig.27:** 1. Adjusting screws

When bevel cutting with the guide rail, use the slide lever to prevent the tool from falling over.

Move the slide lever on the tool base in the direction of arrow so that it engages the undercut groove in the guide rail.

► **Fig.28:** 1. Slide lever

Sub base (Guide rule)

Optional accessory

By using the sub base as a guide rule, you can perform extra-accurate straight cuts. Loosen the clamping screws and slide the sub base out from the tool then insert it upside down.

► **Fig.29:** 1. Clamping screw 2. Sub base

Simply slide the fence of the sub base snugly against the side of the workpiece and secure it in position with the clamping screws. It also makes repeated cuts of uniform width possible.

► **Fig.30:** 1. Clamping screw 2. Sub base

Plunge cutting (Cutting-out)

⚠ WARNING: To avoid a kickback, be sure to observe the following instructions.

► **Fig.31:** 1. Rear edge of tool base 2. Fixed stop

When using the tool without guide rail, place the tool on the workpiece with the rear edge of tool base against a fixed stop or equivalent which is devised by an operator.

When using the tool with guide rail, place the tool on the guide rail with the rear edge of tool base against a fixed stop or equivalent which is clamped on the guide rail.

Hold the tool firmly with one hand on the front grip and the other on the tool handle. Then push in the lock-off button and turn the tool on and wait until the blade attains full speed. Now press down the saw head slowly to the preset depth of cut and simply move the tool forward to the desired plunge position.

NOTE: The markings on the side of the blade guard show the front and rear cutting points of the saw blade at the maximum cutting depth when using the guide rail.

► **Fig.32:** 1. Front cutting point 2. Rear cutting point

Guide device

Optional accessory

Use of the bevel guide allows exact miter cuts with angles and fitting works.

Use of the clamp ensures firm hold of workpiece on the table.

WIRELESS ACTIVATION FUNCTION

For DSP601 only

What you can do with the wireless activation function

The wireless activation function enables clean and comfortable operation. By connecting a supported vacuum cleaner to the tool, you can run the vacuum cleaner automatically along with the switch operation of the tool.

► Fig.33

To use the wireless activation function, prepare following items:

- A wireless unit (optional accessory)
- A vacuum cleaner which supports the wireless activation function

The overview of the wireless activation function setting is as follows. Refer to each section for detail procedures.

1. Installing the wireless unit
2. Tool registration for the vacuum cleaner
3. Starting the wireless activation function

Installing the wireless unit

Optional accessory

CAUTION: Place the tool on a flat and stable surface when installing the wireless unit.

NOTICE: Clean the dust and dirt on the tool before installing the wireless unit. Dust or dirt may cause malfunction if it comes into the slot of the wireless unit.

NOTICE: To prevent the malfunction caused by static, touch a static discharging material, such as a metal part of the tool, before picking up the wireless unit.

NOTICE: When installing the wireless unit, always be sure that the wireless unit is inserted in the correct direction and the lid is completely closed.

1. Open the lid on the tool as shown in the figure.
► Fig.34: 1. Lid
2. Insert the wireless unit to the slot and then close the lid.

When inserting the wireless unit, align the projections with the recessed portions on the slot.

- Fig.35: 1. Wireless unit 2. Projection 3. Lid
4. Recessed portion

When removing the wireless unit, open the lid slowly. The hooks on the back of the lid will lift the wireless unit as you pull up the lid.

- Fig.36: 1. Wireless unit 2. Hook 3. Lid

After removing the wireless unit, keep it in the supplied case or a static-free container.

NOTICE: Always use the hooks on the back of the lid when removing the wireless unit. If the hooks do not catch the wireless unit, close the lid completely and open it slowly again.

Tool registration for the vacuum cleaner

NOTE: A Makita vacuum cleaner supporting the wireless activation function is required for the tool registration.

NOTE: Finish installing the wireless unit to the tool before starting the tool registration.

NOTE: During the tool registration, do not pull the switch trigger or turn on the power switch on the vacuum cleaner.

NOTE: Refer to the instruction manual of the vacuum cleaner, too.

If you wish to activate the vacuum cleaner along with the switch operation of the tool, finish the tool registration beforehand.

1. Install the batteries to the vacuum cleaner and the tool.
2. Set the stand-by switch on the vacuum cleaner to "AUTO".

► Fig.37: 1. Stand-by switch

3. Press the wireless activation button on the vacuum cleaner for 3 seconds until the wireless activation lamp blinks in green. And then press the wireless activation button on the tool in the same way.

► Fig.38: 1. Wireless activation button 2. Wireless activation lamp

If the vacuum cleaner and the tool are linked successfully, the wireless activation lamps will light up in green for 2 seconds and start blinking in blue.

NOTE: The wireless activation lamps finish blinking in green after 20 seconds elapsed. Press the wireless activation button on the tool while the wireless activation lamp on the cleaner is blinking. If the wireless activation lamp does not blink in green, push the wireless activation button briefly and hold it down again.

NOTE: When performing two or more tool registrations for one vacuum cleaner, finish the tool registration one by one.

Starting the wireless activation function

NOTE: Finish the tool registration for the vacuum cleaner prior to the wireless activation.

NOTE: Refer to the instruction manual of the vacuum cleaner, too.

After registering a tool to the vacuum cleaner, the vacuum cleaner will automatically runs along with the switch operation of the tool.

1. Install the wireless unit to the tool.
2. Connect the hose of the vacuum cleaner with the tool.

► Fig.39

3. Set the stand-by switch on the vacuum cleaner to "AUTO".

► **Fig.40:** 1. Stand-by switch

4. Push the wireless activation button on the tool briefly. The wireless activation lamp will blink in blue.

► **Fig.41:** 1. Wireless activation button 2. Wireless activation lamp

5. Pull the switch trigger of the tool. Check if the vacuum cleaner runs while the switch trigger is being pulled.

To stop the wireless activation of the vacuum cleaner, push the wireless activation button on the tool.

NOTE: The wireless activation lamp on the tool will stop blinking in blue when there is no operation for 2 hours. In this case, set the stand-by switch on the vacuum cleaner to "AUTO" and push the wireless activation button on the tool again.

NOTE: The vacuum cleaner starts/stops with a delay. There is a time lag when the vacuum cleaner detects a switch operation of the tool.










NOTE: The transmission distance of the wireless unit may vary depending on the location and surrounding circumstances.

NOTE: When two or more tools are registered to one vacuum cleaner, the vacuum cleaner may start running even if you don't pull the switch trigger because another user is using the wireless activation function.

Description of the wireless activation lamp status

► **Fig.42:** 1. Wireless activation lamp

The wireless activation lamp shows the status of the wireless activation function. Refer to the table below for the meaning of the lamp status.

Status	Wireless activation lamp			Duration	Description
	Color	 On	 Blinking		
Standby	Blue			2 hours	The wireless activation of the vacuum cleaner is available. The lamp will automatically turn off when no operation is performed for 2 hours.
				When the tool is running.	The wireless activation of the vacuum cleaner is available and the tool is running.
Tool registration	Green			20 seconds	Ready for the tool registration. Waiting for the registration by the vacuum cleaner.
				2 seconds	The tool registration has been finished. The wireless activation lamp will start blinking in blue.
Cancelling tool registration	Red			20 seconds	Ready for the cancellation of the tool registration. Waiting for the cancellation by the vacuum cleaner.
				2 seconds	The cancellation of the tool registration has been finished. The wireless activation lamp will start blinking in blue.
Others	Red			3 seconds	The power is supplied to the wireless unit and the wireless activation function is starting up.
	Off	-		-	The wireless activation of the vacuum cleaner is stopped.

Cancelling tool registration for the vacuum cleaner

Perform the following procedure when cancelling the tool registration for the vacuum cleaner.

1. Install the batteries to the vacuum cleaner and the tool.

2. Set the stand-by switch on the vacuum cleaner to "AUTO".

► **Fig.43:** 1. Stand-by switch

3. Press the wireless activation button on the vacuum cleaner for 6 seconds. The wireless activation lamp blinks in green and then become red. After that, press the wireless activation button on the tool in the same way.

► **Fig.44:** 1. Wireless activation button 2. Wireless activation lamp

If the cancellation is performed successfully, the wireless activation lamps will light up in red for 2 seconds and start blinking in blue.

NOTE: The wireless activation lamps finish blinking in red after 20 seconds elapsed. Press the wireless activation button on the tool while the wireless activation lamp on the cleaner is blinking. If the wireless activation lamp does not blink in red, push the wireless activation button briefly and hold it down again.

Troubleshooting for wireless activation function

Before asking for repairs, conduct your own inspection first. If you find a problem that is not explained in the manual, do not attempt to dismantle the tool. Instead, ask Makita Authorized Service Centers, always using Makita replacement parts for repairs.

State of abnormality	Probable cause (malfunction)	Remedy
The wireless activation lamp does not light/blink.	The wireless unit is not installed into the tool. The wireless unit is improperly installed into the tool.	Install the wireless unit correctly.
	The terminal of the wireless unit and/or the slot is dirty.	Gently wipe off dust and dirt on the terminal of the wireless unit and clean the slot.
	The wireless activation button on the tool has not been pushed.	Push the wireless activation button on the tool briefly.
	The stand-by switch on the vacuum cleaner is not set to "AUTO".	Set the stand-by switch on the vacuum cleaner to "AUTO".
	No power supply	Supply the power to the tool and the vacuum cleaner.
Cannot finish tool registration / cancelling tool registration successfully.	The wireless unit is not installed into the tool. The wireless unit is improperly installed into the tool.	Install the wireless unit correctly.
	The terminal of the wireless unit and/or the slot is dirty.	Gently wipe off dust and dirt on the terminal of the wireless unit and clean the slot.
	The stand-by switch on the vacuum cleaner is not set to "AUTO".	Set the stand-by switch on the vacuum cleaner to "AUTO".
	No power supply	Supply the power to the tool and the vacuum cleaner.
	Incorrect operation	Push the wireless activation button briefly and perform the tool registration/cancellation procedures again.
	The tool and vacuum cleaner is away from each other (out of the transmission range).	Get the tool and vacuum cleaner closer to each other. The maximum transmission distance is approximately 10 m however it may vary according to the circumstances.
	Before finishing the tool registration/cancellation; - the switch trigger on the tool is pulled or; - the power button on the vacuum cleaner is turned on.	Push the wireless activation button briefly and perform the tool registration/cancellation procedures again.
	The tool registration procedures for the tool or vacuum cleaner has not finished.	Perform the tool registration procedures for both the tool and the vacuum cleaner at the same timing.
Radio disturbance by other appliances which generate high-intensity radio waves.	Keep the tool and vacuum cleaner away from the appliances such as Wi-Fi devices and microwave ovens.	
The vacuum cleaner does not run along with the switch operation of the tool.	The wireless unit is not installed into the tool. The wireless unit is improperly installed into the tool.	Install the wireless unit correctly.
	The terminal of the wireless unit and/or the slot is dirty.	Gently wipe off dust and dirt on the terminal of the wireless unit and clean the slot.
	The wireless activation button on the tool has not been pushed.	Push the wireless activation button briefly and make sure that the wireless activation lamp is blinking in blue.
	The stand-by switch on the vacuum cleaner is not set to "AUTO".	Set the stand-by switch on the vacuum cleaner to "AUTO".
	More than 10 tools are registered to the vacuum cleaner.	Perform the tool registration again. If more than 10 tools are registered to the vacuum cleaner, the tool registered earliest will be cancelled automatically.
	The vacuum cleaner erased all tool registrations.	Perform the tool registration again.
	No power supply	Supply the power to the tool and the vacuum cleaner.
	The tool and vacuum cleaner is away from each other (out of the transmission range).	Get the tool and vacuum cleaner closer each other. The maximum transmission distance is approximately 10 m however it may vary according to the circumstances.
	Radio disturbance by other appliances which generate high-intensity radio waves.	Keep the tool and vacuum cleaner away from the appliances such as Wi-Fi devices and microwave ovens.
The vacuum cleaner runs while the tool's switch trigger is not pulled.	Other users are using the wireless activation of the vacuum cleaner with their tools.	Turn off the wireless activation button of the other tools or cancel the tool registration of the other tools.

MAINTENANCE

⚠ CAUTION: Always be sure that the tool is switched off and the battery cartridge is removed before attempting to perform inspection or maintenance.

⚠ CAUTION: Clean out the guard to ensure there is no accumulated sawdust which may impede the operation of the guarding system. A dirty guarding system may limit the proper operation which could result in serious personal injury. The most effective way to accomplish this cleaning is with compressed air. **If the dust is being blown out of the guard, be sure the proper eye and breathing protection is used.**

NOTICE: Never use gasoline, benzine, thinner, alcohol or the like. Discoloration, deformation or cracks may result.

Adjusting 0°-cut and 45°-cut accuracy

NOTICE: Do not engage the levers for -1° bevel angle when adjusting 0°-cut accuracy.

NOTICE: Do not engage the lever for 48° bevel angle when adjusting 45°-cut accuracy.

These adjustments have been made at the factory. But if they are off, you can adjust them as the following procedures.

1. Slightly loosen the clamping screws on the front and rear of the tool.
2. Adjust the blade angle.
▶ **Fig.45:** 1. Triangular rule

To adjust the 0°-cut accuracy, make the base perpendicular to the blade using a triangular rule, square rule, etc. by turning the adjusting bolt.

- ▶ **Fig.46:** 1. Adjusting bolt for 0°-cut

To adjust the 45°-cut accuracy, make the base 45° to the blade using a triangular rule by turning the adjusting bolt.

- ▶ **Fig.47:** 1. Adjusting bolt for 45°-cut

3. Tighten the clamping screws and make a test cut.

To maintain product SAFETY and RELIABILITY, repairs, any other maintenance or adjustment should be performed by Makita Authorized or Factory Service Centers, always using Makita replacement parts.

OPTIONAL ACCESSORIES

⚠ CAUTION: These accessories or attachments are recommended for use with your Makita tool specified in this manual. The use of any other accessories or attachments might present a risk of injury to persons. Only use accessory or attachment for its stated purpose.

If you need any assistance for more details regarding these accessories, ask your local Makita Service Center.

- Circular saw blade
- Sub base
- Hex wrench
- Guide rail
- Bevel guide
- Clamp
- Sheet
- Rubber sheet
- Position sheet
- Wireless unit (for DSP601)
- Makita genuine battery and charger

NOTE: Some items in the list may be included in the tool package as standard accessories. They may differ from country to country.

DANE TECHNICZNE

Model:	DSP600	DSP601
Średnica tarczy	165 mm	
Maks. głębokość cięcia	pod kątem 0°	56 mm
	pod kątem 45° w pionie	40 mm
	pod kątem 48° w pionie	38 mm
Prędkość bez obciążenia	2 500–6 300 min ⁻¹	
Długość całkowita	346 mm	
Napięcie znamionowe	Prąd stały 36 V	
Akumulator	BL1815N, BL1820, BL1820B, BL1830, BL1830B, BL1840, BL1840B, BL1850, BL1850B, BL1860B	
Ładowarka	DC18RC, DC18RD, DC18SD, DC18SE, DC18SF	
Ciężar netto	4,4–5,1 kg	

- W związku ze stale prowadzonym przez naszą firmę programem badawczo-rozwojowym niniejsze dane mogą ulec zmianom bez wcześniejszego powiadomienia.
- W innych krajach urządzenie może mieć odmienne parametry techniczne i może być wyposażone w inny akumulator.
- Masa może być różna w zależności od osprzętu, w tym akumulatora. W tabeli przedstawiona jest najlżejsza i najcięższa konfiguracja, zgodnie z procedurą EPTA 01/2014.

Przeznaczenie

To narzędzie jest przeznaczone do wykonywania cięć wgłębnych. Narzędzia można również używać do wykonywania cięć wzdłużnych i poprzecznych w drewnie. Jeśli narzędzie jest wyposażone w odpowiednią piłę tarczową, można go używać do cięcia aluminium, tworzyw sztucznych, materiałów mineralnych z dodatkiem tworzyw sztucznych itp.

Hałas

Typowy równoważny poziom dźwięku A określony w oparciu o normę EN62841:

Model DSP600

Poziom ciśnienia akustycznego (L_{pA}): 92 dB(A)

Poziom mocy akustycznej (L_{WA}): 103 dB (A)

Niepewność (K): 3 dB(A)

Model DSP601

Poziom ciśnienia akustycznego (L_{pA}): 92 dB(A)

Poziom mocy akustycznej (L_{WA}): 103 dB (A)

Niepewność (K): 3 dB(A)

⚠ OSTRZEŻENIE: Nosić ochronniki słuchu.

Drgania

Całkowita wartość poziomu drgań (suma wektorów w 3 osiach) określona zgodnie z normą EN62841:

Model DSP600

Tryb pracy: Cięcie drewna

Emisja drgań ($a_{h,w}$): 2,5 m/s² lub mniej

Niepewność (K): 1,5 m/s²

Tryb pracy: cięcie metalu

Emisja drgań ($a_{h,w}$): 2,5 m/s² lub mniej

Niepewność (K): 1,5 m/s²

Model DSP601

Tryb pracy: Cięcie drewna

Emisja drgań ($a_{h,w}$): 2,5 m/s² lub mniej

Niepewność (K): 1,5 m/s²

Tryb pracy: cięcie metalu

Emisja drgań ($a_{h,w}$): 2,5 m/s² lub mniej

Niepewność (K): 1,5 m/s²

WSKAZÓWKA: Deklarowana wartość wytwarzanych drgań została zmierzona zgodnie ze standardową metodą testową i można ją wykorzystać do porównywania narzędzi.

WSKAZÓWKA: Deklarowaną wartość wytwarzanych drgań można także wykorzystać we wstępnej ocenie narażenia.

⚠ OSTRZEŻENIE: Drgania wytwarzane podczas rzeczywistego użytkowania elektronarzędzia mogą się różnić od wartości deklarowanej, w zależności od sposobu jego użytkowania.

⚠ OSTRZEŻENIE: W oparciu o szacowane narażenie w rzeczywistych warunkach użytkowania należy określić środki bezpieczeństwa w celu ochrony operatora (uwzględniając wszystkie elementy cyklu działania, tj. czas, kiedy narzędzie jest wyłączone i kiedy pracuje na biegu jałowym, a także czas, kiedy jest włączone).

Deklaracja zgodności WE

Dotyczy tylko krajów europejskich

Deklaracja zgodności WE jest dołączona jako załącznik A do niniejszej instrukcji obsługi.

OSTRZEŻENIA DOTYCZĄCE BEZPIECZEŃSTWA

Ogólne zasady bezpiecznej eksploatacji elektronarzędzi

⚠️ OSTRZEŻENIE: Należy zapoznać się z ostrzeżeniami dotyczącymi bezpieczeństwa, instrukcjami, ilustracjami i danymi technicznymi dotyczącymi do tego elektronarzędzia. Niezastosowanie się do podanych poniżej instrukcji może prowadzić do porażenia prądem, pożaru i/lub poważnych obrażeń ciała.

Wszystkie ostrzeżenia i instrukcje należy zachować do wykorzystania w przyszłości.

Pojęcie „elektonarzędzie”, występujące w wymienionych tu ostrzeżeniach, odnosi się do elektronarzędzia zasilanego z sieci elektrycznej (z przewodem zasilającym) lub do elektronarzędzia akumulatorowego (bez przewodu zasilającego).

Ostrzeżenia dotyczące bezpieczeństwa dla akum. ręcznej pilarki tarczowej

Procedury cięcia

- 1. ⚠️ NIEBEZPIECZEŃSTWO:** Trzymać ręce z dala od obszaru cięcia oraz tarczy. Drugą dłoń trzymać na dodatkowym uchwycie lub na obudowie silnika. Jeśli obie dłonie trzymają pilarkę, nie mogą zostać przecięte przez tarczę.
- 2. Nie wolno sięgać rękoma pod spód obrabianego elementu.** Osłona nie chroni użytkownika przed tarczą wychodzącą spod spodu obrabianego elementu.
- 3. Głębokość cięcia należy dostosować do grubości obrabianego elementu.** Spód spodu obrabianego elementu może wystawać najwyżej niecały ząb tarczy.
- 4. Obrabianego elementu nie wolno trzymać w rękach ani na nogach.** Obrabiany element należy przymocować do stabilnej podstawy. Prawidłowe podparcie elementu jest istotne, ponieważ minimalizuje zagrożenia dla operatora i ryzyko zakleszczenia się tarczy oraz utraty kontroli.

► Rys.1

- 5. Trzymać elektronarzędzie za izolowane powierzchnie rękojeści podczas wykonywania prac, przy których narzędzie tnące może dotknąć niewidocznej instalacji elektrycznej.** Zetknięcie z przewodem elektrycznym znajdującym się pod napięciem spowoduje, że odsonięte elementy metalowe narzędzia również znajdą się pod napięciem, grożąc porażeniem operatora prądem elektrycznym.

- 6. Podczas cięcia wzdłużnego należy zawsze stosować prowadnicę wzdłużną lub szynę prowadzącą.** Zwiększa to dokładność cięcia i zmniejsza prawdopodobieństwo zakleszczenia tarczy.
- 7. Zawsze należy używać tarcz o prawidłowym rozmiarze i kształcie (romb lub koło) otworu na walek.** Tarcze, które nie pasują do osprzętu do ich montażu w narzędziu, będą obracać się mimośrodowo, powodując utratę kontroli.
- 8. Nie wolno używać uszkodzonych ani niewłaściwych podkładek i śrub do mocowania tarczy.** Podkładki i śruba do mocowania tarczy zostały zaprojektowane specjalnie dla opisywanego narzędzia w celu zapewnienia jego optymalnego działania i bezpieczeństwa obsługi.

Przyczyny odrzutu i związane z tym ostrzeżenia:

- odrzut stanowi nagłą reakcję zakleszczonej, zablokowanej lub wygiętej tarczy, polegającą na niekontrolowanym uniesieniu pilarki w górę i wyrzuceniu jej z obrabianego elementu w kierunku operatora;
- gdy w skutek zaciskania się lub zablokowania materiału z obu stron rzazu tarcza zakleszczy się, wówczas reakcja silnika spowoduje gwałtowne wypchnięcie urządzenia w tył w kierunku operatora;
- jeśli podczas cięcia prowadzona w materiale tarcza zostanie skrecona lub wygięta, zęby znajdujące się na jej tylnej krawędzi mogą wkląć się w górną powierzchnię drewna, wypychając tarczę z rzazu i powodując odskoczenie narzędzia do tyłu w kierunku operatora.

Odrzut jest wynikiem nieprawidłowego używania pilarki i/lub niewłaściwych procedur lub warunków jej obsługi. Można tego uniknąć, podejmując odpowiednie środki ostrożności, które podano poniżej.

- 1. Przez cały czas pilarkę należy trzymać mocno oburącz, ustawiając ręce w taki sposób, aby przeciwdziałać siłom odrzutu. Nie wolno stać na linii tarczy, lecz po jednej albo po drugiej jej stronie.** Odrzut może spowodować odskoczenie pilarki w tył. Operator może jednak kontrolować siły odrzutu, jeśli zostaną podjęte odpowiednie środki ostrożności.
- 2. W przypadku zakleszczenia się tarczy lub przerwania operacji cięcia z jakiegokolwiek powodu należy zwolnić spust przełącznika, trzymając pilarkę w materiale do momentu całkowitego zatrzymania się tarczy. Nie wolno wyciągać ani wycofywać pilarki z przecinanego elementu, gdy tarcza znajduje się w ruchu, bowiem w przeciwnym razie może wystąpić odrzut.** Zbadać przyczynę zakleszczenia się tarczy i podjąć stosowne działania, aby wyeliminować problem.
- 3. Przed ponownym uruchomieniem pilarki znajdującej się w obrabianym elemencie należy ustawić tarczę tnącą w środku rzazu tak, żeby zęby tarczy nie były wbite w materiał.** Jeśli tarcza tnąca zablokuje się, wówczas w momencie uruchomienia pilarki może zostać wypchnięta ku górze albo wystąpić odrzut.
- 4. Duże płyty należy podpierać, aby zminimalizować ryzyko zakleszczenia się tarczy i odrzutu.** Duże płyty mają tendencję do wyginania się pod własnym ciężarem. Podpory muszą być ustawione pod płytą w sąsiedztwie linii cięcia po obu jej stronach oraz w pobliżu końców płyty.

► Rys.2

► Rys.3

5. **Nie wolno używać tępych ani uszkodzonych tarcz.** Nienaostrome lub niewłaściwie założone tarcze dają wąski rżaz, który jest przyczyną nadmiernego tarcia, zakleszczania się tarczy i odrzutów.
6. **Dźwignie blokujące regulacji głębokości tarczy i kąta muszą być dobrze dokręcone i zaciśnięte przed przystąpieniem do cięcia.** Jeśli ustawienie tarczy zmienia się podczas cięcia, może spowodować zakleszczenie się tarczy i odrzut narzędzia.
7. **Należy zachować szczególną ostrożność w przypadku wykonywania cięcia w ścianach bądź innych zakrytych powierzchniach.** Wystająca tarcza może przeciąć niewidoczne elementy, które z kolei mogą wywołać odrzut.
8. **Narzędzie należy ZAWSZE trzymać mocno oburącz. Nie wolno NIGDY trzymać rąk, nóg ani innych części ciała pod podstawą narzędzia ani za nim, zwłaszcza podczas wykonywania cięć poprzecznych.** W przypadku wystąpienia odrzutu pilarka może z łatwością odskoczyć w tył, przesuwając się po ręce, powodując poważne obrażenia.

► Rys.4

9. **Pilarkę należy prowadzić bez używania nadmiernej siły. Pilarkę należy popychać do przodu z prędkością, przy której tarcza nie zwalnia podczas cięcia.** Popychanie z nadmierną siłą może bowiem powodować powstawanie nierównych rżazów, prowadzić do utraty precyzji cięcia i stwarzać możliwość odrzutu.

Funkcja osłony

1. **Przed każdym użyciem narzędzia sprawdzić, czy prawidłowo zamyka się osłona. Nie uruchamiać pilarki, jeśli osłona nie przesuwa się swobodnie i zamyka się z opóźnieniem. Nigdy nie blokować ani przywiązywać osłony w sposób odsłaniający tarczę.** Jeśli narzędzie przypadkowo upadnie, osłona może ulec wygięciu. Upewnić się, że osłona przesuwa się swobodnie i nie dotyka tarczy ani innego elementu przy jakimkolwiek ustawieniu kąta i głębokości cięcia.
2. **Sprawdzić działanie i stan sprężyny osłony. Jeśli osłona i sprężyna nie działają prawidłowo, wówczas przed użyciem narzędzia należy zlecić ich naprawę.** Osłona może przesuwać się z oporami wskutek uszkodzonych elementów, osadów żywicy oraz nagromadzonych zabrudzeń.
3. **Upewnić się, że podstawa narzędzia nie przesuwa się podczas wykonywania „cięć wgłębnych”.** Przesuwanie się tarczy na boki powoduje zakleszczanie się tarczy i możliwość odrzutu.
4. **Przed odłożeniem narzędzia na stół lub podłogę należy zwrócić uwagę, czy osłona zasłania tarczę.** Nieosłonięta tarcza, obracającą się siłą rozpędu, spowoduje ruch narzędzia do tyłu, które będzie cięło wszystko, co napotka na swojej drodze. Należy mieć świadomość, że od momentu zwolnienia przelącznika do chwili zatrzymania się tarczy upływa pewien czas.

Dodatkowe ostrzeżenia dotyczące bezpieczeństwa

1. **W przypadku cięcia wilgotnego drewna, impregnowanej cisnieniowo tarczy lub drewna z sękami należy zachować szczególną ostrożność.** Utrzymywaj jednostajny ruch posuwisty narzędzia bez zmniejszania prędkości obrotowej tarczy w celu uniknięcia przegrzania się zębów piły i stopienia plastiku w przypadku cięcia tworzywa sztucznego.
2. **Nie wolno usuwać przeciętego materiału, gdy tarcza jest w ruchu. Przed chwytniem przeciętego materiału należy odczekać, aż tarcza zatrzyma się.** Po wyłączeniu tarcze dalej obracają się siłą rozpędu.
3. **Należy unikać cięcia gwoździ. Przed przystąpieniem do cięcia należy skontrolować tarcicę i usunąć z niej wszystkie gwoździe.**
4. **Podstawę pilarki umieścić po tej stronie obrabianego elementu, która jest dobrze podparta, a nie po tej, która odpadnie w momencie przecięcia.** Jeśli obrabiany element jest krótki lub ma niewielkie rozmiary, należy go unieruchomić. **NIE WOLNO PRZYTRZYMYWAĆ KRÓTKICH ELEMENTÓW RĘKĄ!**

► Rys.5

5. **Przed odłożeniem narzędzia po zakończonej operacji cięcia należy upewnić się, czy osłona zamknęła się oraz czy tarcza całkowicie się zatrzymała.**
6. **Nie wolno podejmować prób cięcia pilarką zamocowaną do góry nogami w imadle. Jest to wyjątkowo niebezpieczne i może prowadzić do poważnych wypadków.**

► Rys.6

7. **Niektóre materiały zawierają substancje chemiczne, które mogą być toksyczne. Unikać wdychania pyłu i kontaktu ze skórą. Przestrzegać przepisów bezpieczeństwa podanych przez dostawcę materiałów.**
8. **Nie wolno zatrzymywać tarczy, wywierając na nią poprzeczny nacisk.**
9. **Nie wolno używać tarcz ściernych.**
10. **Używać wyłącznie tarczy o średnicy oznaczonej na narzędziu lub określonej w instrukcji.** Korzystanie z tarczy o nieodpowiednim rozmiarze może uniemożliwić prawidłowe zabezpieczenie tarczy lub zakłócić działanie osłony, co może skutkować odniesieniem poważnych obrażeń ciała.
11. **Tarcza powinna być zawsze naostrzona i czysta.** Stwardniała żywica i smoła drzewna na tarczach spowalnia ruch obrotowy pilarki i zwiększa ryzyko odrzutu. Tarcza powinna być zawsze czysta. W celu oczyszczenia tarczy należy ją najpierw zdjąć z narzędzia, następnie oczyścić zmywaczem do żywicy i smoly, gorącą wodą lub naftą. Nie wolno stosować benzyny.
12. **Do pracy należy zakładać maskę przeciwpyłową oraz ochronnik słuchu.**
13. **Zawsze używać tarczy tnącej przeznaczonej do cięcia materiału, który ma być cięty.**
14. **Stosować wyłącznie tarcze tnące z oznaczeniem prędkości równej lub wyższej niż wartość prędkości oznaczonej na narzędziu.**
15. **(Dotyczy tylko krajów europejskich). Zawsze używaj tarczy zgodnej z normą EN847-1.**

ZACHOWAĆ NINEJSZĄ INSTRUKCJĘ.

⚠️ OSTRZEŻENIE: NIE WOLNO pozwolić, aby wygoda lub rutyna (nabyta w wyniku wielokrotnego używania urządzenia) zastąpiły ściśle przestrzeganie zasad bezpieczeństwa obsługi. NIEWŁAŚCIWE UŻYTKOWANIE narzędzia lub niestosowanie się do zasad bezpieczeństwa podanych w niniejszej instrukcji obsługi może prowadzić do poważnych obrażeń ciała.

Ważne zasady bezpieczeństwa dotyczące akumulatora

1. Przed użyciem akumulatora zapoznać się ze wszystkimi instrukcjami i znakami ostrzegawczymi na (1) ładowarce, (2) akumulatorze i (3) produkcie, w którym będzie używany akumulator.
2. Akumulatora nie wolno rozbierać.
3. Jeśli czas działania uległ znacznemu skróceniu, należy natychmiast przerwać pracę. Może bowiem dojść do przegrzania, ewentualnych poparzeń, a nawet eksplozji.
4. W przypadku przedostania się elektrolitu do oczu, przemyć je czystą wodą i niezwłocznie uzyskać pomoc lekarską. Może on bowiem spowodować utratę wzroku.
5. Nie doprowadzać do zwarcia akumulatora:
 - (1) Nie dotykać styków materiałami przewodzącymi prąd.
 - (2) Unikać przechowywania akumulatora w pojemniku z metalowymi przedmiotami, takimi jak gwoździe, monety itp.
 - (3) Chronić akumulator przed deszczem lub wodą.Zwarcie prowadzi do przepływu prądu elektrycznego o dużym natężeniu i przegrzania akumulatora, co w konsekwencji może grozić poparzeniami a nawet awarią urządzenia.
6. Narzędzia i akumulatora nie wolno przechowywać w miejscach, w których temperatura osiąga bądź przekracza 50°C (122°F).
7. Akumulatorów nie wolno spalać, również tych poważnie uszkodzonych lub całkowicie zużytych. Akumulator może eksplodować w ogniu.
8. Chronić akumulator przed upadkiem i uderzeniami.
9. Nie wolno używać uszkodzonego akumulatora.
10. Stanowiące wyposażenie akumulatory litowo-jonowe podlegają przepisom dotyczącym produktów niebezpiecznych. Na potrzeby transportu komercyjnego, np. świadczonych przez firmy trzecie czy spedycyjne, należy przestrzegać specjalnych wymagań w zakresie pakowania i oznaczania etykietami. Przygotowanie produktu do wysyłki wymaga skonsultowania się ze specjalistą ds. materiałów niebezpiecznych. Należy także przestrzegać przepisów krajowych, które mogą być bardziej szczegółowe. Zakleić taśmą lub zaślepić otwarte styki akumulatora oraz zabezpieczyć go, aby nie mógł się przesuwać w opakowaniu.
11. Postępować zgodnie z przepisami lokalnymi dotyczącymi usuwania akumulatorów.

12. Używać akumulatorów tylko z produktami określonymi przez firmę Makita. Zastosowanie akumulatorów w niezgodnych produktach może spowodować pożar, przegrzanie, wybuch lub wyciek elektrolitu.

ZACHOWAĆ NINIEJSZE INSTRUKCJE.

⚠️ PRZESTROGA: Używać wyłącznie oryginalnych akumulatorów firmy Makita. Używanie nieoryginalnych akumulatorów firm innych niż Makita lub akumulatorów, które zostały zmodyfikowane, może spowodować wybuch akumulatora i pożar, obrażenia ciała oraz zniszczenie mienia. Stanowi to również naruszenie warunków gwarancji firmy Makita dotyczących narzędzia i ładowarki.

Wskazówki dotyczące zachowania maksymalnej trwałości akumulatora

1. Akumulator należy naładować zanim zostanie do końca rozładowany. Po zauważeniu spadku mocy narzędzia należy przerwać pracę i naładować akumulator.
2. Nie wolno ładować powtórnie w pełni naładowanego akumulatora. Przeładowanie akumulatora skracza jego trwałość.
3. Akumulator należy ładować w temperaturze pokojowej w przedziale 10–40°C (50–104°F). W przypadku gorącego akumulatora przed przystąpieniem do ładowania należy poczekać, aż ostygnie.
4. Akumulatory niklowo-wodorkowe należy naładować po okresie długiego nieużytkowania (dłuższego niż sześć miesięcy).

Ważne zasady bezpieczeństwa dotyczące złącza bezprzewodowego

1. Nie rozmontowywać ani modyfikować złącza bezprzewodowego.
2. Trzymać złącze bezprzewodowe z dala od małych dzieci. W przypadku przypadkowego poknięcia natychmiast skorzystać z pomocy medycznej.
3. Używać złącza bezprzewodowego wyłącznie z narzędziami firmy Makita.
4. Nie narażać złącza bezprzewodowego na działanie deszczu lub niesprzyjających warunków atmosferycznych.
5. Nie używać złącza bezprzewodowego w miejscach, w których temperatura przekracza 50°C.
6. Nie obsługiwać złącza bezprzewodowego w miejscach, w których w pobliżu znajdują się przyrządy medyczne, takie jak rozruszniki serca.
7. Nie obsługiwać złącza bezprzewodowego w miejscach, w których w pobliżu znajdują się automatyzowane urządzenia. W przypadku obsługi złącza bezprzewodowego w zautomatyzowanym urządzeniu może wystąpić usterka lub błąd.
8. Złącze bezprzewodowe może wytwarzać pole elektromagnetyczne, które nie jest szkodliwe dla użytkownika.
9. Złącze bezprzewodowe to czuły przyrząd. Należy chronić złącze bezprzewodowe przed upadkiem i uderzeniami.

10. Unikać dotknięcia zacisku złącza bezprzewodowego gołymi rękoma lub metalowymi materiałami.
11. W przypadku montażu złącza bezprzewodowego należy zawsze wyciągać akumulator z narzędzia.
12. Podczas otwierania pokrywy gniazda unikać miejsc, w których pył i woda mogą przedostać się do gniazda. Zawsze utrzymywać wlot gniazda w czystości.
13. Zawsze wkładać złącze bezprzewodowe skierowane w odpowiednią stronę.
14. Nie naciskać zbyt mocno przycisku aktywacji bezprzewodowej na złączu bezprzewodowym i/lub nie naciskać przycisku za pomocą przedmiotu z ostrą krawędzią.
15. Zawsze zamykać pokrywę gniazda podczas pracy.
16. Nie usuwać złącza bezprzewodowego z gniazda, gdy zasilanie narzędzia jest włączone. Wykonanie tej czynności może spowodować usterkę złącza bezprzewodowego.
17. Nie usuwać naklejki ze złącza bezprzewodowego.
18. Nie umieszczać żadnej naklejki na złączu bezprzewodowym.
19. Nie pozostawiać złącza bezprzewodowego w miejscach, w których możliwe jest wygenerowanie ładunków elektrostatycznych lub szumów elektrycznych.
20. Nie pozostawiać złącza bezprzewodowego w miejscach narażonych na działanie wysokich temperatur, na przykład w samochodzie zaparkowanym w słońcu.
21. Nie pozostawiać złącza bezprzewodowego w miejscach, w których występuje kurz, pył lub gazy wykazujące właściwości korozyjne.
22. Nagła zmiana temperatury może spowodować pojawienie się rosy na złączu bezprzewodowym. Nie używać urządzenia, aż do momentu całkowitego osuszenia rosy.
23. W przypadku czyszczenia złącza bezprzewodowego delikatnie wytrzeć je przy użyciu miękkiej, suchej szmatki. Nie stosować benzyny, rozpuszczalnika, smaru przewodzącego prąd i innych podobnych substancji.
24. W przypadku przechowywania złącza bezprzewodowego umieścić je w dołączonej obudowie lub antystatycznym pojemniku.
25. Nie wkładać żadnych urządzeń innych niż złącze bezprzewodowe firmy Makita do gniazda w narzędziu.
26. Nie wolno używać narzędzia, gdy pokrywa gniazda jest uszkodzona. Woda, pył i zabrudzenia, które przedostaną się do gniazda, mogą spowodować usterkę.
27. Nie ciągnąć i/lub nie obracać nadmiernie pokrywy gniazda. Umieścić pokrywę w odpowiednim miejscu w przypadku zsunienia się jej z narzędzia.
28. Wymienić pokrywę gniazda w przypadku jej zgubienia lub uszkodzenia.

ZACHOWAĆ NINIEJSZĄ INSTRUKCJĘ.

OPIS DZIAŁANIA

⚠ PRZESTROGA: Przed przystąpieniem do regulacji lub przeglądu narzędzia upewnić się, że jest ono wyłączone, a akumulator został wyjęty.

Wkładanie i wyjmowanie akumulatora

⚠ PRZESTROGA: Przed włożeniem lub wyjęciem akumulatora należy zawsze wyłączyć narzędzie.

⚠ PRZESTROGA: Podczas wkładania lub wyjmowania akumulatora należy mocno trzymać narzędzie i akumulator. W przeciwnym razie mogą się one wyślizgnąć z rąk, powodując uszkodzenie narzędzia lub akumulatora i obrażenia ciała.

- **Rys.7:** 1. Czerwony wskaźnik 2. Przycisk 3. Akumulator

Aby wyjąć akumulator, przesunąć przycisk znajdujący się w przedniej jego części i wysunąć akumulator.

Aby włożyć akumulator, wyrównaj występ na akumulatorze z rowkiem w obudowie i wsuń go na swoje miejsce. Akumulator należy wsunąć do oporu, aż się zatrzaśnie na miejscu, co jest sygnalizowane delikatnym kliknięciem. Jeśli w górnej części przycisku jest widoczny czerwony wskaźnik, akumulator nie został całkowicie zatrzaśnięty.

⚠ PRZESTROGA: Akumulator należy włożyć do końca, tak aby czerwony wskaźnik nie był widoczny. W przeciwnym razie może przypadkowo wypaść z narzędzia, powodując obrażenia operatora lub osób postronnych.

⚠ PRZESTROGA: Nie wkładać akumulatora na siłę. Jeśli akumulator nie daje się swobodnie wsunąć, oznacza to, że został włożony nieprawidłowo.

WSKAZÓWKA: Narzędzie nie działa w przypadku włożenia tylko jednego akumulatora.

Układ zabezpieczenia narzędzia/akumulatora

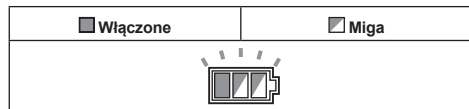
Narzędzie jest wyposażone w układ zabezpieczenia narzędzia/akumulatora. Układ automatycznie odcina zasilanie silnika w celu wydłużenia trwałości narzędzia i akumulatora. Narzędzie zostanie automatycznie zatrzymane podczas pracy w następujących sytuacjach związanych z narzędziem lub akumulatorem. Niektóre sytuacje zostaną wskazane poprzez włączenie się odpowiednich wskaźników.

Zabezpieczenie przed przeciążeniem

W przypadku użytkowania narzędzia w sposób powodujący nadmiernie wysoki pobór prądu narzędzie zostanie automatycznie zatrzymane. W takiej sytuacji należy wyłączyć narzędzie i zaprzestać wykonywania czynności powodującej przeciążenie narzędzia. Następnie należy wyłączyć narzędzie w celu jego ponownego uruchomienia.

Zabezpieczenie przed przegrzaniem

W przypadku przegrzania narzędzie zostanie automatycznie zatrzymane, a wskaźnik akumulatora zacznie migać przez około 60 s. W takiej sytuacji przed ponownym włączeniem należy poczekać, aż narzędzia ostygnie.



Zabezpieczenie przed nadmiernym rozładowaniem

Gdy poziom naładowania akumulatora spadnie, narzędzie zostanie automatycznie zatrzymane. Jeśli produkt nie działa pomimo włączenia przełączników, należy wyjąć akumulatory z narzędzia i naładować je.

Wskazanie stanu naładowania akumulatora

► **Rys.8:** 1. Wskaźnik akumulatora (górną akumulator) 2. Przycisk kontrolny 3. Wskaźnik akumulatora (dolny akumulator)

Nacisnąć przycisk kontrolny, aby sprawdzić poziom naładowania akumulatora. Wskaźniki akumulatora odpowiadają każdemu akumulatorowi.

Stan wskaźnika akumulatora			Stan naładowania akumulatora
Włączony	Wyłączony	Miga	
			50% do 100%
			20% do 50%
			0% do 20%
			Naładować akumulator.

Wskazanie stanu naładowania akumulatora

Tylko w przypadku akumulatorów ze wskaźnikiem

► **Rys.9:** 1. Lampki wskaźnika 2. Przycisk kontrolny

Nacisnąć przycisk kontrolny na akumulatorze w celu wyświetlenia stanu naładowania akumulatora. Lampki wskaźnika zaświecą się przez kilka sekund.

Lampki wskaźnika			Pozostała energia akumulatora
Świeci się	Wyłączony	Miga	
			75–100%
			50–75%
			25–50%
			0–25%
			Naładować akumulator.
			Akumulator może nie działać poprawnie.

WSKAZÓWKA: Zależnie od warunków użytkowania i temperatury otoczenia, wskazywany poziom może nieznacznie się różnić od rzeczywistego stanu naładowania akumulatora.

Funkcja automatycznej zmiany prędkości

WSKAZÓWKA: Funkcja automatycznej zmiany prędkości jest dostępna tylko wtedy, gdy pokrętko regulacji prędkości ma ustawioną wartość 5.

Narzędzie to może pracować w „trybie wysokiej prędkości” oraz w „trybie wysokiego momentu”. Narzędzie zmienia automatycznie tryb pracy w zależności od obciążenia. Przy niskim obciążeniu narzędzie działa w „trybie wysokiej prędkości” i tnie szybciej. Przy wysokim obciążeniu narzędzie działa w „trybie wysokiego momentu” i tnie z większą mocą.

► **Rys.10:** 1. Wskaźnik trybu

Kiedy narzędzie działa w „trybie wysokiego momentu”, wskaźnik trybu świeci na zielono.

W razie przeciążenia narzędzia wskaźnik trybu miga na zielono. Po spadku obciążenia narzędzia wskaźnik trybu przestaje migać, a następnie zapala się lub gaśnie.

Stan wskaźnika trybu			Tryb pracy
Włączony	Wyłączony	Miga	
			Tryb wysokiej prędkości
			Tryb wysokiego momentu
			Ostrzeżenie o przeciążeniu

Regulacja głębokości cięcia

⚠ PRZESTROGA: Po zakończeniu regulacji głębokości cięcia należy zawsze dobrze dokręcić śrubę zaciskową.

Poluzować śrubę zaciskową prowadnicy głębokości i przesunąć na płycie z podziałką dolny ogranicznik tarczy do wybranej głębokości. Zaciśnąć śrubę mocno w położeniu wybranej głębokości cięcia.

Głębokość cięcia powinna być ustawiona w taki sposób, aby spod spodu obrabianego elementu nie wystawał więcej niż jeden ząb tarczy, co zapewni czystsze i bezpieczniejsze cięcie. Stosowanie prawidłowego ustawienia głębokości cięcia zmniejsza ryzyko niebezpiecznych ODRZUTÓW, które grożą obrażeniami ciała.

► **Rys.11:** 1. Dolny ogranicznik tarczy 2. Śruba zaciskowa

Przełącznik szybkiego ogranicznika dla głębokości cięcia 2 do 3 mm w przypadku używania szyny prowadzącej (wyposażenie dodatkowe)

Narzędzie jest wyposażone w przełącznik szybkiego ogranicznika dla cięć o głębokości 2 do 3 mm, który znajduje się na korpusie przekładni po stronie tylnego uchwytu i jest używany podczas korzystania z szyny prowadzącej. Pozwala on zapobiegać powstawaniu drzazg na ciętym materiale. Wykonać najpierw cięcie o głębokości od 2 do 3 mm, a następnie cięcie właściwe.

► **Rys.12:** 1. Przełącznik szybkiego ogranicznika

Aby uzyskać cięcie o głębokości 2 do 3 mm, przestawić przełącznik szybkiego ogranicznika w kierunku tarczy tnącej. Pozwoli to uniknąć powstawania drzazg na ciętym materiale.

Aby w tym położeniu wyłączyć ograniczenie głębokości cięcia i móc ustawić dowolną głębokość cięcia, wystarczy odciągnąć przycisk do tyłu.

Cięcie pod kątem w pionie

Poluzować śruby zaciskowe. Ustawić żądany kąt, przechylając odpowiednio narzędzie, a następnie dobrze dokręcić śrubę zaciskową.

► **Rys.13:** 1. Śruba zaciskowa 2. Płyta z podziałką kąta cięcia w pionie

► **Rys.14:** 1. Dodatkowa podstawa (Akcesoria opcjonalne) 2. Śruba zaciskowa

Ogranicznik

Ogranicznik służy do szybkiego ustawiania wymaganego kąta. Obrócić ogranicznik tak, aby jego strzałka wskazywała kąt 22,5°. Poluzować śruby zaciskowe z przodu i z tyłu. Następnie pochylić do oporu tarczę i unieruchomić podstawę śrubami zaciskowymi.

► **Rys.15:** 1. Ogranicznik 2. Śruba zaciskowa

Kąt cięcia w pionie 48°

W celu wykonania cięcia pod kątem 48° w pionie poluzować śruby zaciskowe i całkowicie przechylić dźwignię w stronę pokazaną strzałką na rysunku. Następnie ustawić kąt cięcia w pionie na 48° i dokręcić śruby zaciskowe.

► **Rys.16:** 1. Dźwignia

Kąt cięcia w pionie -1°

W celu wykonania cięcia pod kątem -1° w pionie poluzować śruby zaciskowe i popchnąć dźwignię w stronę pokazaną strzałką na rysunku. Następnie ustawić kąt cięcia w pionie na -1° i dokręcić śruby zaciskowe.

► **Rys.17:** 1. Dźwignia

Celowanie

► **Rys.18:** 1. Podstawa

Linia cięcia zależy od kąta cięcia oraz od tego, czy użyto szyny prowadzącej (wyposażenie dodatkowe).

W przypadku narzędzia bez szyny prowadzącej

W przypadku cięć prostych wyrównać punkt A w przedniej części podstawy z linią cięcia. W przypadku cięć pod kątem 45° wyrównać punkt B z linią cięcia.

W przypadku narzędzia z szyną prowadzącą

W przypadku cięć prostych i cięć pod kątem 45° w pionie zawsze należy wyrównać punkt A w przedniej części podstawy z linią cięcia.

Działanie przełącznika

⚠ OSTRZEŻENIE: Przed włożeniem akumulatora do narzędzia należy zawsze sprawdzić, czy spust przełącznika działa prawidłowo i czy powraca do położenia wyłączenia po jego zwolnieniu.

⚠ OSTRZEŻENIE: NIE WOLNO pomijać ani blokować działania przycisku blokady poprzez zaklejenie go taśmą ani w inny sposób. Wyłącznik z pominiętym lub zablokowanym przyciskiem blokady może spowodować przypadkowe uruchomienie narzędzia i poważne obrażenia ciała.

⚠ OSTRZEŻENIE: NIE WOLNO używać narzędzia, jeśli można je uruchomić tylko za pomocą spustu przełącznika bez uprzedniego wciśnięcia przycisku blokady. Niesprawny, wymagający naprawy przełącznik może spowodować przypadkowe uruchomienie urządzenia i poważne obrażenia ciała. PRZED dalszym użytkowaniem narzędzia należy przekazać je do punktu serwisowego narzędzi Makita w celu naprawy.

Aby uniknąć przypadkowego pociągnięcia spustu przełącznika, urządzenie jest wyposażone w przycisk blokady włączenia. Aby uruchomić narzędzie, należy nacisnąć przycisk blokady włączenia i pociągnąć spust przełącznika. W celu zatrzymania wystarczy zwolnić spust przełącznika.

► **Rys.19:** 1. Spust przełącznika 2. Przycisk blokady włączenia

UWAGA: Nie ciągnąć na siłę spustu przełącznika bez wcześniejszego wciśnięcia przycisku blokady. Można w ten sposób połamać przełącznik.

Pokrętło regulacji prędkości

Prędkość narzędzia można regulować poprzez obracanie pokrętła regulacji. Im wyższa cyfra na pokrętle regulacji prędkości, tym większa prędkość obrotowa tarczy.

► **Rys.20:** 1. Pokrętło regulacji prędkości

W celu wybrania właściwej prędkości cięcia dla obrabianego elementu należy zapoznać się z tabelą. Ta właściwa prędkość może jednak różnić się w zależności od rodzaju elementu i jego grubości. Generalnie większe prędkości pozwalają ciąć obrabiane elementy szybciej, ale wówczas ulega skróceniu okres użytkowania tarczy.

Cyfra	Liczba obrotów tarczy na minutę (min^{-1})
1	2 500 min^{-1}
2	2 900 min^{-1}
3	3 900 min^{-1}
4	4 900 min^{-1}
5	6 300 min^{-1}

PRZESTROGA: Pokrętło regulacji prędkości nie nadaje się dla tarcz niskoobrotowych, lecz służy do uzyskiwania prędkości odpowiednich dla obrabianego materiału. Stosować wyłącznie tarcze tnące przeznaczone do prędkości równych co najmniej maksymalnej prędkości bez obciążenia, jak określono w DANYCH TECHNICZNYCH.

UWAGA: Pokrętło regulacji prędkości można obrócić maksymalnie do pozycji 5 i z powrotem do pozycji 1. Nie próbować obrócić go na siłę poza pozycję 5 lub 1, ponieważ funkcja regulacji prędkości mogłaby przestać działać.

Funkcja regulacji elektronicznej

Narzędzia wyposażone w funkcję regulacji elektronicznej są łatwe w obsłudze ze względu na przedstawione poniżej cechy.

Zabezpieczenie przed przeciążeniem

W przypadku przeciążenia narzędzia i przekroczenia określonego poziomu prądu narzędzie automatycznie wyłączy się w celu zabezpieczenia silnika.

Kontrola stałej prędkości

Elektroniczna kontrola prędkości zapewnia stałą prędkość. Pozwala to uzyskać bardzo dokładne wykończenie, ponieważ prędkość obrotowa jest utrzymywana na stałym poziomie, nawet pod obciążeniem.

Funkcja łagodnego rozruchu

Łagodny rozruch zapewnia tłumienie wstrząsu występującego podczas uruchamiania.

MONTAŻ

PRZESTROGA: Przed przystąpieniem do prac konserwacyjnych przy narzędziu upewnić się, że jest ono wyłączone, a akumulator został wyjęty.

Miejsce na klucz imbusowy

Klucz imbusowy, gdy nie jest używany, należy przechowywać w sposób pokazany na rysunku, aby się nie zgubił.

► **Rys.21:** 1. Klucz imbusowy

Zdejmowanie i zakładanie piły tarczowej

PRZESTROGA: Piłę tarczową należy zakładać w taki sposób, aby zęby znajdujące się w przedniej części narzędzia były skierowane ku górze.

PRZESTROGA: Do zakładania i zdejmowania piły tarczowej należy używać wyłącznie klucza firmy Makita.

Zdejmowanie piły tarczowej:

1. Nacisnąć przycisk blokady i opuścić nieznacznie uchwyt. Obrócić dźwignię blokady i opuścić uchwyt tak, aby kołek blokujący wskoczył w otwór.

► **Rys.22:** 1. Przycisk blokady 2. Dźwignia blokady 3. Kołek blokujący 4. Otwór na kołek blokujący

2. Wcisnąć do oporu blokadę wałka, aby tarcza nie mogła się obracać, i wykręcić kluczem śrubę imbusową.

► **Rys.23:** 1. Blokada wałka 2. Klucz imbusowy 3. Dokręcanie 4. Odkręcanie

3. Wykręcić śrubę imbusową i zdjąć kołnierz zewnętrzny oraz piłę tarczową.

► **Rys.24:** 1. Śruba imbusowa 2. Kołnierz zewnętrzny 3. Kołnierz wewnętrzny 4. Piła tarczowa

OSTRZEŻENIE: Jeśli zdjęto kołnierz wewnętrzny, założyć go na wrzeciono. Podczas zakładania należy wybrać stronę występu, która pasuje idealnie do otworu w tarczy tnącej. Montaż tarczy tnącej złą stroną może spowodować niebezpieczne wibracje.

Abi założyć piłę tarczową, należy wykonać procedurę zdejmowania w odwrotnej kolejności. Nacisnąć przycisk blokady, aby zwolnić kołek blokujący z otworu.

OSTRZEŻENIE: UPEWNIĆ SIĘ, ŻE ŚRUBA IMBUSOWA ZOSTAŁA PRAWIDŁOWO DOKRĘCONA. Nie dokręcać śruby zbyt mocno. Ześlizgnięcie się ręki z klucza sześciokątnego może spowodować obrażenia ciała.

Czyszczenie osłony tarczy

W przypadku wymiany piły tarczowej należy koniecznie oczyścić osłonę tarczy z nagromadzonych trocin, zgodnie z opisem zawartym w rozdziale dotyczącym konserwacji. Czynność ta nie eliminuje konieczności każdorazowego sprawdzania poprawności działania osłony przed użyciem narzędzia.

Podłączenie odkurzacza

Akcesoria opcjonalne

W celu zachowania czystości podczas cięcia można podłączyć do narzędzia odkurzacz firmy Makita. Do króćca odpylania podłączyć wąż odkurzacza przy użyciu przedniej złączki 24.

- **Rys.25:** 1. Wąż odkurzacza 2. Przednia złączka 24
3. Króciec odpylania

OBSŁUGA

⚠ PRZESTROGA: Narzędzie należy prowadzić spokojnie wzdłuż linii prostej. Stosowanie nadmiernej siły lub zmiana kierunku prowadzenia narzędzia spowodują przegrzanie silnika i wystąpienia niebezpiecznego odrzutu, który może być przyczyną poważnych obrażeń ciała.

⚠ PRZESTROGA: Podczas cięcia nie zbliżać żadnych części ciała do obszaru pod narzędziem, zwłaszcza na początku. Niezastosowanie się do tej wytycznej może spowodować poważne obrażenia ciała. Pod podstawą narzędzia tarcza jest całkowicie odsłonięta.

WSKAZÓWKA: Jeśli temperatura akumulatora jest niska, narzędzie może nie uzyskać pełnej wydajności. W takim przypadku należy przez pewien czas wykonywać cięcia niewymagające dużej mocy, aż akumulator osiągnie temperaturę pokojową. Po tym czasie narzędzie może pracować z maksymalną wydajnością.

Cięcie (zwykłe cięcie)

- **Rys.26**

Narzędzie należy trzymać mocno i pewnie. Narzędzie jest wyposażone w przednią rączkę i tylny uchwyt. Należy używać obu elementów, aby zapewnić pewny chwyt. Kiedy obie dłonie trzymają pilarkę, nie mogą zostać przecięte przez piłę tarczową. Ustawić podstawę narzędzia na elemencie do cięcia w taki sposób, aby piła tarczowa nie stykała się z nim. Następnie nacisnąć przycisk blokady i pociągnąć za spust przełącznika. Odczekać, aż piła tarczowa uzyska pełną prędkość.

Następnie powoli opuścić głowicę na ustawioną głębokość cięcia i po prostu przesunąć narzędzie płynnie do przodu nad ciętym materiałem, trzymając je płasko, aż do zakończenia cięcia.

Aby uzyskać gładkie rzazy, należy ciąć w linii prostej i utrzymywać stałą prędkość posuwu. Jeśli narzędzie zboczy z linii cięcia, nie próbować skręcać narzędziem ani wracać do niej na siłę. Może to spowodować zablokowanie piły tarczowej i niebezpieczny odrzut, który grozi poważnymi obrażeniami ciała. Zwołnić przełącznik, poczekać, aż piła tarczowa się zatrzyma, a następnie wycofać narzędzie. Ustawić narzędzie wzdłuż nowej linii cięcia i rozpocząć cięcie na nowo. Należy unikać pozycji, w której operator jest narażony na wióry i trociny wyrzucane przez pilarkę. Używać okularów ochronnych, aby zmniejszyć ryzyko obrażeń.

Szyna prowadząca

Akcesoria opcjonalne

Umieścić narzędzie na tylnym końcu szyny prowadzącej. Przykręcić dwie śruby regulacyjne na podstawie narzędzia tak, aby narzędzie przesunęło się gładko bez stukania. Złapać mocno przednią rączkę i tylny uchwyt narzędzia. Włączyć narzędzie, opuścić je na ustawioną głębokość cięcia i wykonać cięcie na pełnej długości w jednym przejściu. Teraz krawędź osłony odpowiada linii cięcia.

- **Rys.27:** 1. Śruby regulacyjne

Podczas cięcia pod kątem w pionie z szyną prowadzącą należy używać dźwigni przesuwnej w celu uniknięcia przewrócenia narzędzia.

Przesunąć dźwignię przesuwną na podstawie narzędzia w kierunku pokazanym strzałką, aż wskoczy w rowek w szynie prowadzącej.

- **Rys.28:** 1. Dźwignia przesuwna

Dodatkowa podstawa (prowadnica wzdłużna)

Akcesoria opcjonalne

Używając dodatkowej podstawy jako prowadnicy wzdłużnej, można wykonywać cięcia proste z większą dokładnością. Poluzować śruby zaciskowe i wysunąć dodatkową podstawę na zewnątrz, a następnie odwrócić ją i włożyć na miejsce.

- **Rys.29:** 1. Śruba zaciskowa 2. Dodatkowa podstawa

Wystarczy ciasno dosunąć prowadnicę dodatkowej podstawy do boku obrabianego elementu i zablokować ją w tym położeniu za pomocą śruby zaciskowej. Umożliwia ona również wykonywanie powtarzalnych cięć o tej samej szerokości.

- **Rys.30:** 1. Śruba zaciskowa 2. Dodatkowa podstawa

Cięcie wgłębne (wycinanie)

⚠ OSTRZEŻENIE: Aby uniknąć odrzutu narzędzia, należy zawsze stosować się do poniższych instrukcji.

- **Rys.31:** 1. Tylna krawędź podstawy narzędzia
2. Stały ogranicznik

W razie braku szyny prowadzącej umieścić narzędzie na obrabianym elemencie tak, aby tylna krawędź podstawy narzędzia opierała się o stały ogranicznik lub jego odpowiednik przygotowany przez operatora.

W przypadku korzystania z szyny prowadzącej umieścić narzędzie na szynie prowadzącej w taki sposób, aby tylna krawędź podstawy narzędzia opierała się o stały ogranicznik lub jego odpowiednik przymocowany do szyny prowadzącej.

Złapać narzędzie mocno jedną ręką za przednią rączkę, a drugą za uchwyt narzędzia. Następnie wcisnąć przycisk blokady, włączyć narzędzie i zaczekać, aż tarcza osiągnie pełną prędkość obrotową. Teraz opuścić powoli głowicę na ustawioną głębokość cięcia i po prostu przesunąć narzędzie do przodu do wymaganego położenia cięcia wgłębego.

WSKAZÓWKA: Oznaczenia z boku osłony tarczy wskazują przedni i tylny punkt cięcia tarczy tnącej przy maksymalnej głębokości cięcia z użyciem szyny prowadzącej.

- **Rys.32:** 1. Przedni punkt cięcia 2. Tylny punkt cięcia

Urządzenie prowadzące

Akcesoria opcjonalne

Prowadnica ukośna pozwala na wykonywanie dokładnych cięć pod kątem w poziomie i przy pracach montażowych.

Z kolei zastosowanie zacisku zapewni pewne umocowanie obrabianego elementu na stole.

FUNKCJA AKTYWACJI BEZPRZEWODOWEJ

Wylącznie model DSP601

Co umożliwia funkcja aktywacji bezprzewodowej

Funkcja aktywacji bezprzewodowej pozwala na czystą i komfortową pracę. Poprzez podłączenie do narzędzia obsługiwanego odkurzacza można automatycznie uruchomić odkurzacz, który będzie włączył się wraz z przełącznikiem z narzędzia.

► **Rys.33**

Aby użyć funkcji aktywacji bezprzewodowej, należy przygotować następujące elementy:

- Złącze bezprzewodowe (Akcesoria opcjonalne)
- Odkurzacz, który obsługuje funkcję aktywacji bezprzewodowej

Następujące informacje dotyczą ustawienia funkcji aktywacji bezprzewodowej. Aby dowiedzieć się więcej na temat szczegółowych procedur, należy zapoznać się z każdą sekcją.

1. Instalacja złącza bezprzewodowego
2. Rejestracja narzędzia w celu używania odkurzacza
3. Uruchamianie funkcji aktywacji bezprzewodowej

Instalacja złącza bezprzewodowego

Akcesoria opcjonalne

⚠ PRZESTROGA: Podczas montażu złącza bezprzewodowego umieścić narzędzie na płaskiej i stabilnej powierzchni.

UWAGA: Przed rozpoczęciem montażu złącza bezprzewodowego oczyścić narzędzie z pyłu i zabrudzeń. Pył lub zabrudzenia mogą spowodować usterkę w przypadku przedostania się do gniazda złącza bezprzewodowego.

UWAGA: Aby zapobiec usterce spowodowanej przez ładunek elektrostatyczny, dotknąć materiału odprowadzającego wyładowania elektrostatyczne, takiego jak metalowa część narzędzia, przed podniesieniem złącza bezprzewodowego.

UWAGA: Podczas montażu złącza bezprzewodowego należy zawsze upewnić się, że złącze bezprzewodowe zostanie włożone w odpowiednim kierunku, a pokrywa całkowicie zamknięta.

1. Otworzyć pokrywę na narzędziu tak, jak pokazano na lustracji.

► **Rys.34:** 1. Pokrywa

2. Włożyć złącze bezprzewodowe do gniazda, a następnie zamknąć pokrywę.

Podczas wkładania złącza bezprzewodowego wyrównać wypusty z wgłębieniami w gnieździe.

► **Rys.35:** 1. Złącze bezprzewodowe 2. Występ 3. Pokrywa 4. Wgłębienie

Podczas wyjmowania złącza bezprzewodowego powoli otworzyć pokrywę. Zaczepy na tylnej części pokrywy podniosą złącze bezprzewodowe podczas zdejmowania pokrywy.

► **Rys.36:** 1. Złącze bezprzewodowe 2. Zaczep 3. Pokrywa

Po demontażu złącza bezprzewodowego umieścić je w dołączonej obudowie lub antystatycznym pojemniku.

UWAGA: Należy zawsze korzystać z zaczepów na tylnej części pokrywy podczas demontażu złącza bezprzewodowego. Jeśli zaczepy nie chwycą złącza bezprzewodowego, należy całkowicie zamknąć pokrywę i powoli otworzyć ją ponownie.

Rejestracja narzędzia w celu używania odkurzacza

WSKAZÓWKA: Odkurzacz firmy Makita obsługujący funkcję aktywacji bezprzewodowej jest wymagany do rejestracji narzędzia.

WSKAZÓWKA: Zakończyć montaż złącza bezprzewodowego w narzędziu przed rozpoczęciem rejestracji narzędzia.

WSKAZÓWKA: Podczas rejestracji narzędzia nie naciskać spustu przełącznika ani przycisku zasilania na odkurzaczu.

WSKAZÓWKA: Należy również zapoznać się z instrukcją obsługi odkurzacza.

Jeśli odkurzacz ma zostać aktywowany wraz z przełącznikiem narzędzia, należy najpierw zakończyć rejestrację narzędzia.

1. Zamontować akumulatory w odkurzaczu i narzędziu.

2. Ustawić przełącznik gotowości na odkurzaczu w położeniu „AUTO”.

► **Rys.37:** 1. Przełącznik gotowości

3. Nacisnąć i przytrzymać przez 3 sekundy przycisk aktywacji bezprzewodowej na odkurzaczu, aż do momentu, w którym kontrolka aktywacji bezprzewodowej zacznie migać na zielono. Następnie nacisnąć przycisk aktywacji bezprzewodowej na narzędziu w taki sam sposób.

► **Rys.38:** 1. Przycisk aktywacji bezprzewodowej
2. Kontrolka aktywacji bezprzewodowej

Jeśli odkurzacz i narzędzie zostały pomyślnie sparowane, kontrolki aktywacji bezprzewodowej będą migać na zielono przez 2 sekundy, a następnie zaczną migać na niebiesko.

WSKAZÓWKA: Kontrolki aktywacji bezprzewodowej przestaną migać na zielono po 20 sekundach. Nacisnąć przycisk aktywacji bezprzewodowej na narzędziu, gdy funkcja aktywacji bezprzewodowej na odkurzaczu miga. Jeśli kontrolka aktywacji bezprzewodowej nie miga na zielono, nacisnąć na krótko przycisk aktywacji bezprzewodowej i przytrzymać go ponownie.

WSKAZÓWKA: Podczas przeprowadzania rejestracji dwóch lub więcej narzędzi do jednego odkurzacza należy zakończyć rejestrację danego narzędzia w odpowiedniej kolejności.

Uruchamianie funkcji aktywacji bezprzewodowej

WSKAZÓWKA: Zakończyć rejestrację narzędzia do odkurzacza przed aktywacją bezprzewodową.

WSKAZÓWKA: Należy również zapoznać się z instrukcją obsługi odkurzacza.

Po zarejestrowaniu narzędzia do odkurzacza, urządzenie to będzie automatycznie działać wraz z przełącznikiem narzędzia.

1. Zamontować złącze bezprzewodowe w narzędziu.

2. Podłączyć wąż odkurzacza do narzędzia.

► **Rys.39**

3. Ustawić przełącznik gotowości na odkurzaczu w położeniu „AUTO”.

► **Rys.40:** 1. Przełącznik gotowości

4. Krótko nacisnąć przycisk aktywacji bezprzewodowej na narzędziu. Kontrolka aktywacji bezprzewodowej będzie migać na niebiesko.

► **Rys.41:** 1. Przycisk aktywacji bezprzewodowej
2. Kontrolka aktywacji bezprzewodowej

5. Nacisnąć spust przełącznika narzędzia. Sprawdzić, czy odkurzacz pracuje, gdy spust przełącznika jest naciśnięty.

Aby wstrzymać funkcję aktywacji bezprzewodowej odkurzacza, nacisnąć przycisk aktywacji bezprzewodowej na narzędziu.

WSKAZÓWKA: Kontrolka aktywacji bezprzewodowej na narzędziu przestanie migać na niebiesko w przypadku bezczynności przez 2 godziny. W takim przypadku należy ustawić przełącznik gotowości na odkurzaczu w położeniu „AUTO” i ponownie nacisnąć przycisk aktywacji bezprzewodowej na narzędziu.

WSKAZÓWKA: Odkurzacz uruchomi/wyłączy się z opóźnieniem. W przypadku wykrycia działania przełącznika narzędzia przez odkurzacz występuje opóźnienie.






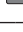



WSKAZÓWKA: Zasięg łączności złącza bezprzewodowego może się różnić w zależności od lokalizacji i warunków otoczenia.

WSKAZÓWKA: W przypadku zarejestrowania dwóch lub więcej narzędzi do jednego odkurzacza, urządzenie może uruchomić się, nawet jeśli spust przełącznika nie zostanie naciśnięty, ponieważ inny użytkownik korzysta z funkcji aktywacji bezprzewodowej.

Opis stanu kontrolki aktywacji bezprzewodowej

► Rys.42: 1. Kontrolka aktywacji bezprzewodowej

Kontrolka aktywacji bezprzewodowej przedstawia stan funkcji aktywacji bezprzewodowej. Aby dowiedzieć się więcej na temat znaczenia stanu kontrolki, należy zapoznać się z poniższą tabelą.

Stan	Kontrolka aktywacji bezprzewodowej				Opis
	Kolor	 Wył.	 Miga	Czas trwania	
Czuwanie	Niebieska			2 godziny	Aktywacja bezprzewodowa odkurzacza jest dostępna. Kontrolka wyłączy się automatycznie w przypadku bezczynności przez 2 godziny.
				Gdy narzędzie jest uruchomione.	Aktywacja bezprzewodowa odkurzacza jest dostępna, a narzędzie uruchomione.
Rejestracja narzędzia	Zielona			20 sekund	Gotowość do rejestracji narzędzia. Oczekiwanie na zarejestrowanie przez odkurzacz.
				2 sekund	Rejestracja narzędzia została zakończona. Kontrolka aktywacji bezprzewodowej zacznie migać na niebiesko.
Anulowanie rejestracji narzędzia	Czerwona			20 sekund	Gotowość do anulowania rejestracji narzędzia. Oczekiwanie na anulowanie przez odkurzacz.
				2 sekund	Anulowanie rejestracji narzędzia zostało zakończone. Kontrolka aktywacji bezprzewodowej zacznie migać na niebiesko.
Inne	Czerwona			3 sekund	Zasilanie jest dostarczane do złącza bezprzewodowego, a funkcja aktywacji bezprzewodowej uruchamiana.
	Wył.	-		-	Aktywacja bezprzewodowa odkurzacza została zatrzymana.

Anulowanie rejestracji narzędzia do odkurzacza

Podczas anulowania rejestracji narzędzia do odkurzacza należy wykonać następującą procedurę.

1. Zamontować akumulatory w odkurzaczu i narzędziu.
2. Ustawić przełącznik gotowości na odkurzaczu w położeniu „AUTO”.

► Rys.43: 1. Przełącznik gotowości

3. Nacisnąć i przytrzymać przez 6 sekund przycisk aktywacji bezprzewodowej na odkurzaczu. Kontrolka aktywacji bezprzewodowej miga na zielono, a później na czerwono. Następnie nacisnąć przycisk aktywacji bezprzewodowej na narzędziu w taki sam sposób.

► Rys.44: 1. Przycisk aktywacji bezprzewodowej 2. Kontrolka aktywacji bezprzewodowej

Jeśli anulowanie zostanie zakończone pomyślnie, kontrolki aktywacji bezprzewodowej będą migać na zielono przez 2 sekundy, a następnie zaczną migać na niebiesko.

WSKAZÓWKA: Kontrolki aktywacji bezprzewodowej przestaną migać na czerwono po 20 sekundach. Nacisnąć przycisk aktywacji bezprzewodowej na narzędziu, gdy funkcja aktywacji bezprzewodowej na odkurzaczu miga. Jeśli kontrolka aktywacji bezprzewodowej nie miga na czerwono, nacisnąć na krótko przycisk aktywacji bezprzewodowej i przytrzymać go ponownie.

Rozwiązywanie problemów związanych z funkcją aktywacji bezprzewodowej

Przed oddaniem urządzenia do naprawy należy najpierw przeprowadzić samodzielną kontrolę. W razie napotkania problemu, który nie został wyjaśniony w instrukcji, nie należy próbować demontować urządzenia we własnym zakresie. Należy natomiast zlecić naprawę w autoryzowanym punkcie serwisowym firmy Makita; zawsze z użyciem oryginalnych części zamiennych Makita.

Nieprawidłowe działanie	Prawdopodobna przyczyna (usterka)	Rozwiązanie
Kontrolka aktywacji bezprzewodowej nie świeci/miga.	Złącze bezprzewodowe nie zostało zamontowane w narzędziu. Złącze bezprzewodowe zostało niepoprawnie zamontowane w narzędziu.	Należy poprawnie zamontować złącze bezprzewodowe.
	Zacisk złącza bezprzewodowego i/lub gniazdo jest zabrudzone.	Delikatnie zetrzeć pył i zabrudzenia z zacisku złącza bezprzewodowego i oczyścić gniazdo.
	Przycisk aktywacji bezprzewodowej na narzędziu nie został naciśnięty.	Krótko nacisnąć przycisk aktywacji bezprzewodowej na narzędziu.
	Przełącznik gotowości na odkurzaczu nie znajduje się w położeniu „AUTO”.	Ustawić przełącznik gotowości na odkurzaczu w położeniu „AUTO”.
	Brak zasilania	Podłączyć narzędzia i odkurzacza do zasilania.
Nie można pomyślnie zakończyć rejestracji narzędzia/anulowania rejestracji narzędzia.	Złącze bezprzewodowe nie zostało zamontowane w narzędziu. Złącze bezprzewodowe zostało niepoprawnie zamontowane w narzędziu.	Należy poprawnie zamontować złącze bezprzewodowe.
	Zacisk złącza bezprzewodowego i/lub gniazdo jest zabrudzone.	Delikatnie zetrzeć pył i zabrudzenia z zacisku złącza bezprzewodowego i oczyścić gniazdo.
	Przełącznik gotowości na odkurzaczu nie znajduje się w położeniu „AUTO”.	Ustawić przełącznik gotowości na odkurzaczu w położeniu „AUTO”.
	Brak zasilania	Podłączyć narzędzia i odkurzacza do zasilania.
	Nieprawidłowe działanie	Krótko nacisnąć przycisk aktywacji bezprzewodowej i ponownie wykonać procedurę rejestracji narzędzia/anulowania rejestracji narzędzia.
	Narzędzie i odkurzacza znajdują się w zbyt dużej odległości od siebie (poza zasięgiem łączności).	Zbliżyć narzędzie i odkurzacza do siebie. Maksymalny zasięg łączności wynosi około 10 m, lecz może się różnić w zależności od panujących warunków.
	Przed zakończeniem rejestracji narzędzia/anulowania; – spust przełącznika jest naciśnięty lub; – przycisk zasilania na odkurzaczu znajduje się w położeniu włączenia.	Krótko nacisnąć przycisk aktywacji bezprzewodowej i ponownie wykonać procedurę rejestracji narzędzia/anulowania rejestracji narzędzia.
	Procedury rejestracji narzędzia dotyczące narzędzia lub odkurzacza nie zostały zakończone.	Wykonać jednocześnie procedury związane z rejestracją narzędzia dotyczące narzędzia i odkurzacza.
Zakłócenia radiowe spowodowane przez inne urządzenia, które generują fale radiowe o wysokiej częstotliwości.	Trzymać narzędzie i odkurzacza z dala od urządzeń, takich jak urządzenia Wi-Fi i kuchenki mikrofalowe.	

Nieprawidłowe działanie	Prawdopodobna przyczyna (usterka)	Rozwiązanie
Odkurzacz nie działa wraz z przełącznikiem narzędzia.	Złącze bezprzewodowe nie zostało zamontowane w narzędziu. Złącze bezprzewodowe zostało niepoprawnie zamontowane w narzędziu.	Należy poprawnie zamontować złącze bezprzewodowe.
	Zacisk złącza bezprzewodowego i/lub gniazdo jest zabrudzone.	Delikatnie zetrzeć pył i zabrudzenia z zacisku złącza bezprzewodowego i oczyścić gniazdo.
	Przycisk aktywacji bezprzewodowej na narzędziu nie został naciśnięty.	Krótko nacisnąć przycisk aktywacji bezprzewodowej i upewnić się, że kontrolka aktywacji bezprzewodowej miga na niebiesko.
	Przełącznik gotowości na odkurzaczu nie znajduje się w położeniu „AUTO”.	Ustawić przełącznik gotowości na odkurzaczu w położeniu „AUTO”.
	Zarejestrowano ponad 10 narzędzi do odkurzacza.	Ponownie wykonać rejestrację narzędzia. W przypadku zarejestrowania ponad 10 narzędzi do odkurzacza narzędzie zarejestrowane najwcześniej zostanie automatycznie anulowane.
	Odkurzacz usunął wszystkie rejestracje narzędzi.	Ponownie wykonać rejestrację narzędzia.
	Brak zasilania	Podłączyć narzędzia i odkurzacz do zasilania.
	Narzędzie i odkurzacz znajdują się w zbyt dużej odległości od siebie (poza zasięgiem łączności).	Zbliżyć narzędzie i odkurzacz do siebie. Maksymalny zasięg łączności wynosi około 10 m, lecz może się różnić w zależności od panujących warunków.
	Zakłócenia radiowe spowodowane przez inne urządzenia, które generują fale radiowe o wysokiej częstotliwości.	Trzymać narzędzie i odkurzacz z dala od urządzeń, takich jak urządzenia Wi-Fi i kucharki mikrofalowe.
Odkurzacz pracuje, gdy spust przełącznika narzędzia nie jest naciśnięty.	Inny użytkownicy korzystają z funkcji aktywacji bezprzewodowej przy użyciu narzędzi.	Ustawić przycisk aktywacji bezprzewodowej innych narzędzi w położeniu wyłączenia lub anulować rejestrację innych narzędzi.

KONSERWACJA

⚠ PRZESTROGA: Przed przystąpieniem do przeglądu narzędzia lub jego konserwacji upewnić się, że jest ono wyłączone, a akumulator wyjęty.

⚠ PRZESTROGA: Oczyszczyć osłonę, aby upewnić się, że nie nagromadziły się na niej żadne trociny, które mogłyby spowodować nieprawidłowe działanie układu zabezpieczającego. Zabrudzony układ zabezpieczający może działać niewłaściwie, co może prowadzić do poważnych obrażeń ciała. Najbardziej skutecznym sposobem czyszczenia jest użycie sprężonego powietrza. **W przypadku, gdy pył jest wydmuchiwany poza osłonę, należy zastosować odpowiednie środki ochrony oczu i układu oddechowego.**

UWAGA: Nie stosować benzyny, rozpuszczalników, alkoholu itp. środków. Mogą one powodować odbarwienia, odkształcenia lub pęknięcia.

Regulacja dokładności cięcia pod kątem 0° i 45°

UWAGA: Nie ustawiać dźwigni na kąt cięcia w pionie -1° podczas regulacji dokładności cięcia pod kątem 0°.

UWAGA: Nie ustawiać dźwigni na kąt cięcia w pionie 48° podczas regulacji dokładności cięcia pod kątem 45°.

Te regulacje zostały przeprowadzone fabrycznie. Jeśli jednak występują pewne odstępstwa, można je skorygować przy użyciu poniższej procedury.

1. Lekko poluzuj dźwignię śruby zaciskowe z przodu i tyłu narzędzia.

2. Wyregulować kąt tarczy.

► **Rys.45:** 1. Ekierka

Aby wyregulować dokładność cięcia pod kątem 0°, ustawić podstawę prostopadle do tarczy za pomocą ekierki, kątownika itp., obracając śrubę regulacyjną.

► **Rys.46:** 1. Ustawianie śruby na cięciu pod kątem 0°

Aby wyregulować dokładność cięcia pod kątem 45°, ustawić podstawę pod kątem 45° do tarczy za pomocą ekierki, obracając śrubę regulacyjną.

► **Rys.47:** 1. Ustawianie śruby na cięciu pod kątem 45°

3. Dokręcić śruby zaciskowe i wykonać cięcie próbne.

W celu zachowania odpowiedniego poziomu BEZPIECZEŃSTWA i NIEZAWODNOŚCI produktu wszelkie naprawy i różnego rodzaju prace konserwacyjne lub regulacje powinny być przeprowadzane przez autoryzowany lub fabryczny punkt serwisowy narzędzi Makita, zawsze z użyciem oryginalnych części zamiennych Makita.

AKCESORIA OPCJONALNE

⚠ PRZESTROGA: Zaleca się stosowanie wymienionych akcesoriów i przystawek razem z narzędziem Makita opisanym w niniejszej instrukcji.

Stosowanie innych akcesoriów lub przystawek może być przyczyną obrażeń ciała. Akcesoria lub przystawki należy wykorzystywać tylko zgodnie z ich przeznaczeniem.

W razie potrzeby wszelkiej pomocy i szczegółowych informacji na temat niniejszych akcesoriów udziela Państwu lokalne punkty serwisowe Makita.

- Piła tarczowa
- Dodatkowa podstawa
- Klucz imbusowy
- Szyna prowadząca
- Prowadnica ukośna
- Zacisk
- Taśma
- Taśma gumowa
- Taśma pozycjonująca
- Złącze bezprzewodowe (do modelu DSP601)
- Oryginalny akumulator i ładowarka firmy Makita

WSKAZÓWKA: Niektóre pozycje znajdujące się na liście mogą być dołączone do pakietu narzędziowego jako akcesoria standardowe. Mogą to być różne pozycje, w zależności od kraju.

RÉSZLETES LEÍRÁS

Típus:	DSP600	DSP601
Fűrészlap átmérője	165 mm	
Max. vágási mélység	0°-nál	56 mm
	45°-os döntésnél	40 mm
	48°-os döntésnél	38 mm
Üresjáratú fordulatszám	2 500–6 300 min ⁻¹	
Teljes hossz	346 mm	
Névleges feszültség	36 V, egyenáram	
Akkumulátor	BL1815N, BL1820, BL1820B, BL1830, BL1830B, BL1840, BL1840B, BL1850, BL1850B, BL1860B	
Töltő	DC18RC, DC18RD, DC18SD, DC18SE, DC18SF	
Tiszta tömeg	4,4–5,1 kg	

- Folyamatos kutató- és fejlesztőprogramunk eredményeként az itt felsorolt tulajdonságok figyelmeztetés nélkül megváltozhatnak.
- A műszaki adatok és az akkumulátor országoként változhatnak.
- A súly a felszerelt tartozékoktól függően változhat, az akkumulátort is beleértve. Az EPTA 01/2014 eljárás szerint meghatározott legnehezebb, illetve legkönnyebb kombináció a táblázatban látható.

Rendeltetés

A szerszám kifejezetten merülővágások elvégzéséhez készült. A szerszám emellett fa egyenes és keresztvágására is alkalmas. Ha a szerszámot a megfelelő körfűrész tárcsával szerelik fel, akkor alumínium, műanyag, ásványtartalmú műanyag és hasonló anyagok vágására is használható.

Zaj

A tipikus A-súlyozású zajszint, a EN62841 szerint meghatározva:

DSP600 típus

Hangnyomásszint (L_{pA}): 92 dB(A)
 Hangteljesítményszint (L_{WA}): 103 dB (A)
 Bizonytalanság (K): 3 dB(A)

DSP601 típus

Hangnyomásszint (L_{pA}): 92 dB(A)
 Hangteljesítményszint (L_{WA}): 103 dB (A)
 Bizonytalanság (K): 3 dB(A)

FIGYELMEZTETÉS: Viseljen fülvédőt!

Vibráció

A vibráció teljes értéke (háromtengelyű vektorösszeg) az EN62841 szerint meghatározva:

DSP600 típus

Üzem mód: Fa vágása
 Rezgés kibocsátás ($a_{h,W}$): 2,5 m/s² vagy kisebb
 Bizonytalanság (K): 1,5 m/s²
 Üzem mód: Fém vágása
 Rezgés kibocsátás ($a_{h,M}$): 2,5 m/s² vagy kisebb
 Bizonytalanság (K): 1,5 m/s²

DSP601 típus

Üzem mód: Fa vágása
 Rezgés kibocsátás ($a_{h,W}$): 2,5 m/s² vagy kisebb
 Bizonytalanság (K): 1,5 m/s²
 Üzem mód: Fém vágása
 Rezgés kibocsátás ($a_{h,M}$): 2,5 m/s² vagy kisebb
 Bizonytalanság (K): 1,5 m/s²

MEGJEGYZÉS: A rezgés kibocsátás értéke a szabványos vizsgálati eljárásnak megfelelően lett mérve, és segítségével az elektromos kéziszerszámok összehasonlíthatók egymással.

MEGJEGYZÉS: A rezgés kibocsátás értékének segítségével előzetesen megbecsülhető a rezgésnek való kitettség mértéke.

FIGYELMEZTETÉS: A szerszám rezgés kibocsátása egy adott alkalmazásnál eltérhet a megadott értéktől a használat módjától függően.

FIGYELMEZTETÉS: Határozza meg a kezelő védelmét szolgáló munkavédelmi lépéseket, melyek az adott munkafeltételek melletti vibrációs hatás becslült mértékén alapulnak (figyelembe véve a munkaciklus elemeit, mint például a gép leállításának és üresjáratának mennyiségét az elindítások száma mellett).

EK Megfelelőségi nyilatkozat

Csak európai országokra vonatkozóan

Az EK-megfelelőségi nyilatkozat az útmutató „A” mellékletében található.

BIZTONSÁGI FIGYELMEZTETÉS

A szerszámgépekre vonatkozó általános biztonsági figyelmeztetések

▲ FIGYELMEZTETÉS: Olvassa el a szerszámgéphez mellékelte összes biztonsági figyelmeztetést, utasítást, illusztrációt és a műszaki adatokat. A következőkben leírt utasítások figyelmen kívül hagyása elektromos áramütést, tüzet és/vagy súlyos sérülést eredményezhet.

Őrizzen meg minden figyelmeztetést és utasítást a későbbi tájékozódás érdekében.

A figyelmeztetéseken szereplő "szerszámgép" kifejezés az Ön hálózatról (vezetékes) vagy akkumulátorról (vezeték nélküli) működtetett szerszámgépére vonatkozik.

Az akkumulátoros körfűrészre vonatkozó biztonsági figyelmeztetések

Vágási eljárások

- ▲ VESZÉLY:** Tartsa kezét távol a fűrészlaptól és a vágás helyétől. Másik kezét tartsa a segédmarkolaton vagy a motorházon. Ha két kézzel tartja a fűrész, akkor a fűrészlap nem vághatja el a kezét.
 - Ne nyúljon a munkadarab alá.** A védőburkolat nem tudja megvédeni Önt a fűrészlaptól a munkadarab alatt.
 - Állítsa a vágási mélységet a munkadarab vastagságával megegyező értékre.** A munkadarab alatt a fűrészlapból egy teljes fognál kevesebbnek kel kilátszania.
 - Vágás közben soha ne kézzel tartsa, és soha ne fektesse az ölébe a munkadarabot. Rögzítse a munkadarabot egy szilárd padozaton.** Nagyon fontos a munkadarab megfelelő alátámasztása, hogy elkerülje a személyi sérüléseket, a fűrészlárcsa meghajlását vagy a gép feletti irányítás elvesztését.
- **Ábra1**
- Tartsa az elektromos szerszámot a szigetelt markolófelületeinél fogva, amikor olyan műveletet végez, amelynél fennáll a veszélye, hogy a vágószerszám rejtett vezetékekbe vagy a saját vezetékeibe ütközhet.** Feszültség alatt lévő vezetékekkel való érintkezéskor a szerszámgép alkatrészei is feszültség alá kerülnek, és megrázzhatják a kezelőt.
 - Párhuzamos vágáskor mindig használja a párhúzóvezetőt vagy egy egyenes szélveetőt.** Ez javítja a vágás pontosságát, és csökkenti a fűrészlap meghajlásának esélyét.

- Mindig csak megfelelő méretű és alakú (gyémánt vagy kerek) tengelyfurattal rendelkező fűrészlárcsákat használjon.** Azok a fűrészlárcsák, amelyek nem illeszkednek a rögzítő alkatrészekhez, forgás közben nem maradnak középen, ami irányíthatatlansághoz vezet.
- Soha ne használjon sérült vagy nem megfelelő alátétet vagy csavart a fűrészlaphoz.** A fűrészlap alátéteket és a fejescsavart speciálisan ehhez a szerszámhoz tervezték, az optimális teljesítmény és a biztonságos működés biztosítása érdekében.

A visszarúgás okai és az ezzel kapcsolatos figyelmeztetések

- a visszarúgás a szerszám hirtelen reakciója beszorult, beakadt vagy rosszul álló fűrészlárcsa esetén, amely az irányíthatatlan szerszám felemelkedését és kilökődését okozza a munkadarabról a kezelő irányába;
- amikor a fűrészlárcsa beszorul vagy beakad az összezáródó fűrészjáratban, a fűrészlárcsa megáll, és a motor reakciója a gépet gyorsan a kezelő irányába lendíti;
- ha a fűrészlap megcsavarodik vagy nem áll megfelelően a vágatban, a fűrészlap fogai és hátsó széle beleválja magát a munkadarab felső felületébe, miáltal a fűrészlap kiugrik a fűrészjáratból és a kezelő felé lendül.

A visszarúgás a szerszám helytelen használatának és/vagy a hibás megmunkálási eljárásnak az eredménye és az alább leírt óvintézkedések betartásával elkerülhető.

- Fogja stabilan a szerszámot mindkét kezével és tartsa úgy a karjait, hogy ellen tudjon állni a visszarúgáskor fellépő erőnek. Igazítsa a testét a fűrészlap valamelyik oldalára, de ne egy vonalba a fűrészlappal.** A visszarúgás a szerszám visszaugrását okozhatja, de a visszarúgáskor fellépő erőket a kezelő leküzdheti, ha a megfelelő óvintézkedéseket betartja.
- Amikor a fűrészlap meghajlott, vagy valamilyen mellé szakitánia a vágási műveletet, engedje fel a kioldót és tartsa mozdulatlanul a fűrész lapot az anyagban amíg teljesen meg nem áll. Soha ne próbálja eltávolítani a fűrész lapot a munkadarabról vagy visszahúzni a fűrész lapot a fűrészlap mozgásban van, mert visszaru gálás léphet fel.** Figyelje és korrigáló műveletek kel próbálja megelőzni a fűrészlap meghajlását.
- Amikor újra bekapcsolja a fűrész lapot a munkadarabban, állítsa középre a fűrészlárcsát a fűrészjáratban és győződjön meg róla, hogy a fűrészfogak nem kapaszkodnak az anyagba.** Ha a fűrészlárcsa meghajlik, az kijöhet vagy visszarúghat a munkadarabról a szerszám újraindításakor.
- A nagyméretű falapokat támassza alá, hogy elkerülje a fűrészlap beszorulását és a visszaru gást.** A nagyméretű falapok meghajolhatnak saját súlyuk alatt. Támasztékot a falap mindkét oldalára kell tenni, a vágóvonal közelébe és a lap széleitől nem messze.

► **Ábra2**

► **Ábra3**

5. **Ne használjon tompa vagy sérült fűrészlapokat!** A nem elég éles vagy rosszul beállított fűrészlapok keskeny fűrészjáratot eredményeznek, amely túlzott sűrűdéshez, a fűrészlap meghajlásához és visszarúgáshoz vezet.
 6. **A fűrészlap mélységének és a ferdevágás szögének beállítására szolgáló reteszélekarokat meg kell húzni és a vágás megkezdése előtt rögzíteni kell.** Ha a fűrészlap beállítása elmozdul a vágás alatt, akkor a fűrészlap meghajolhat, ami visszarúgást eredményez.
 7. **Különösen figyeljen oda, amikor meglévő falak vagy más beláthatatlan területek vágására használja a szerszámot.** A kiálló fűrészlap olyan tárgyakba vághat bele, amik visszarúgást okozhatnak.
 8. **MINDIG tartsa szilárdan a szerszámot mindkét kezével! SOHA ne nyújtsa a kezét, lábát, vagy bármilyen más testrészét a szerszám alapsíkjára alá vagy a fűrész mögé, különösen ha harántvágást végez!** Ha visszarúgás történik, a fűrész könnyen visszaugorhat a kezéin át, komoly sérüléseket okozva.
- **Ábra4**
9. **Soha ne erőltesse a fűrész! Olyan sebességgel tolja előre a fűrész, hogy a fűrészlap lassulás nélkül vágjon.** A fűrész erőltetése egyetlen vágásokat, a pontosság csökkenését és esetleg visszarúgást okozhat.

Fűrészlapvédő funkció

1. **Minden használat előtt ellenőrizze, hogy a fűrészlapvédő megfelelően zár-e. Ne működtesse a fűrész, ha a fűrészlapvédő nem mozog akadálymentesen, és nem zárja a fűrészláncát azonnal. Soha ne rögzítse vagy kösse ki a fűrészlapvédőt nyitott állásban!** Ha a fűrész véletlenül leesik, a fűrészlapvédő elhajolhat. Ellenőrizze, hogy a fűrészlapvédő szabadon mozog, és semmilyen vágási szögnel vagy vágási mélységnél nem ér a fűrészláncához vagy bármely más alkatrészhez.
 2. **Ellenőrizze a fűrészlapvédő rugójának működését és állapotát. Ha a védő vagy a rugó nem működik megfelelően, azokat használat előtt meg kell javítani.** A fűrészlapvédő sérült alkatrészek, gyantalerakódások vagy hulladék felhalmozódása miatt lassan mozoghat.
 3. **Biztosítsa, hogy a fűrész talplemeze ne tudjon elmozdulni „merülővágás” közben.** A fűrészlap oldalra mozdulása annak meghajlását okozza, és visszarúgást eredményezhet.
 4. **Mindig ellenőrizze, hogy a fűrészlapvédő befeje-e a fűrészláncát, mielőtt leteszi a fűrész egy padra vagy a padlóra.** A védtelen, szabadon forduló fűrészlap miatt a szerszám elmozdulhat, átvágva az útjába kerülő tárgyakat. Ne feledje, hogy a kapcsoló felengedése után időbe telik, hogy a fűrészlánc leálljon.
2. **Ne próbálja meg eltávolítani a levágott anyagot, amikor a fűrészlap még mozog. Várja meg, amíg a fűrészlap megáll, mielőtt megfogja a levágott darabot.** A fűrészlap szabadon forog a kikapcsolás után.
 3. **Kerülje a szegek átvágását. A vágás megkezdése előtt ellenőrizze a fatörzset, és húzza ki belőle az összes szeget.**
 4. **Tegye a fűrész alapsíkjának szélesebb részét a munkadarab azon részére, amely stabilan alá van támasztva, ne arra a részre, amelyik leesik a vágás végén. Ha a munkadarab rövid vagy kicsi, le kell fogatni. NE PRÓBÁLJA A RÖVID MUNKADARABOKAT KÉZBEN TARTANI!**
- **Ábra5**
5. **Mielőtt leteszi a szerszámot a vágás befejezése után, győződjön meg róla, hogy az alsó fűrészlapvédő bezáródott és a fűrészlap teljesen megállt.**
 6. **Soha ne próbáljon a körfűrészrel úgy vágni, hogy azt felfordítva befogja egy satuba! Ez különösen veszélyes és komoly sérülésekhez vezethet.**
- **Ábra6**
7. **Egyes anyagok mérgező vegyületet tartalmazhatnak. Gondoskodjon a por belélegzése elleni és érintés elleni védelemről. Tartsa be az anyag szállítójának biztonsági utasításait.**
 8. **Ne állítsa meg a tárcsát úgy, hogy oldalirányú nyomást fejt ki a fűrészlapra.**
 9. **Ne használjon köszörűtárcsákat.**
 10. **Csak a szerszámon jelzett vagy a kézikönyvben megadott átmérőjű fűrészlapokat használja.** A nem megfelelő méretű fűrészlap miatt a fűrészlap vagy a védőburkolat nem fogja megfelelően ellátni a funkcióját, ami súlyos személyi sérüléshez is vezethet.
 11. **A fűrészlapokat tartsa élesen és tisztán.** A fűrészlapokra keményedett kátrány és fagyanta lelassítja a fűrész és megnöveli a visszarúgás kockázatát. Tartsa tisztán a fűrészlapot úgy, hogy először leszereli azt a szerszámról, majd megtisztítja gyanta és kátrányeltávolítóval, forró vízzel vagy kerozinnal. Soha ne használjon benzint.
 12. **Viseljen pormaszkot és hallásvédőt a szerszám használatakor.**
 13. **Mindig ahhoz az anyaghoz illő fűrészláncát használjon, amelyet vágni tervez.**
 14. **Csak olyan fűrészláncákat használjon, amelyek jelzett fordulatszáma megegyezik a szerszámon jelzett fordulatszámmal, vagy nagyobb annál.**
 15. **(Csak európai országokra vonatkozóan) Mindig az EN847-1 szabványnak megfelelő tárcsát használjon.**

ŐRIZZE MEG EZEKET AZ UTASÍTÁSOKAT.

▲ FIGYELMEZTETÉS: NE HAGYJA, hogy (a termék többszöri használatából eredő) kényelem és megszokás váltsa fel a termék biztonsági előírásainak szigorú betartását. A **HELYTELEN HASZNÁLAT** és a használati útmutatóban szereplő biztonsági előírások megszegése súlyos személyi sérülésekhez vezethet.

További biztonsági figyelmeztetések

1. **Különösen figyeljen oda nedves fa, nyomás alatt ragasztott faanyag vagy görcsös fa vágásokor.** Haladjon egyenletesen előre a szerszámmal, a fűrészlánc sebességének csökkenése nélkül, hogy elkerülje a fűrészlánc fogainak túlmelegedését, illetve műanyag vágása esetén a műanyag megolvadását.

Fontos biztonsági utasítások az akkumulátorra vonatkozóan

1. Az akkumulátor használata előtt tanulmányozza át az akkumulátortöltőt (1), az akkumulátoron (2) és az akkumulátorral működtetett terméken (3) olvasható összes utasítást és figyelmeztető jelzést.
2. Ne szerelje szét az akkumulátort.
3. Ha a működési idő nagyon lerövidült, azonnal hagyja abba a használatot. Ez a túlmelegedés, esetleges égések és akár robbanás veszélyével is járhat.
4. Ha elektrolit kerül a szemébe, mossa ki azt tiszta vízzel és azonnal kérjen orvosi segítséget. Ez a látásának elvesztését okozhatja.
5. Ne zárja rövidre az akkumulátort:
 - (1) Ne érjen az érintkezőkhöz elektromosan vezető anyagokkal.
 - (2) Ne tárolja az akkumulátort más fémtárgyakkal, mint pl. szegekkel, érmékkel, stb. egy helyen.
 - (3) Ne tegye ki az akkumulátort víznek vagy esőnek.

Az akkumulátor rövidzárlata nagy áramerősséget, túlmelegedést, égéseket, sőt akár meghibásodást is okozhat.

6. Ne tárolja a szerszámot vagy az akkumulátort olyan helyen, ahol a hőmérséklet elérheti vagy meghaladhatja az 50 °C-ot (122 °F).
7. Ne égesse el az akkumulátort még akkor sem, ha az komolyan megsérült vagy teljesen felrobbanhat.
8. Vigyázzon, nehogy leejtse vagy megüsse az akkumulátort.
9. Ne használjon sérült akkumulátort.
10. A készülékben található lítium-ion akkumulátorokra a veszélyes árukkal kapcsolatos előírások vonatkoznak.

A termék pl. harmadik felek, fuvarozó cégek stb. által történő szállítása esetén minden esetben tartsa szem előtt a csomagoláson és a címkén található speciális követelményeket.

A termék szállításra történő felkészítése esetén vegye fel a kapcsolatot egy veszélyes anyagokkal foglalkozó szakemberrel. Kérjük, hogy az esetlegesen szigorúbb nemzeti előírásokat is vegye figyelembe.

Ragassza le a kiálló érintkezőket, illetve oly módon csomagolja be az akkumulátort, hogy az ne tudjon elmozdulni a csomagolásban.
11. Az akkumulátor ártalmatlanításakor tartsa be a helyi előírásokat.
12. Az akkumulátorokat csak a Makita által megjelölt termékekhez használja. Ha az akkumulátorokat azokkal nem kompatibilis termékekbe helyezi, az tűzhöz, túlmelegedéshez, robbanáshoz vagy elektrolitszivárgáshoz vezethet.

ŐRIZZE MEG EZEKET AZ UTASÍTÁSOKAT.

⚠ VIGYÁZAT: Csak eredeti Makita akkumulátorokat használjon. A nem eredeti Makita akkumulátorok vagy módosított akkumulátorok használata esetén az akkumulátor felrobbanhat, ami tüzet, személyi sérülést és anyagi kárt okozhat. A Makita szerszáma és töltőre vonatkozó Makita garanciát is érvénytelenítheti.

Tippek az akkumulátor maximális élettartamának eléréséhez

1. Töltse fel az akkumulátort, mielőtt teljesen lemerülne. Állítsa le a gépet, és töltsse fel az akkumulátort, ha a gép erejének csökkenését észleli.
2. Soha ne töltsse újra a teljesen feltöltött akkumulátort. A túltöltés csökkenti az akkumulátor élettartamát.
3. Töltse az akkumulátort szobahőmérsékleten, 10 °C - 40 °C (50 °F - 104 °F) között. Töltés előtt hagyja lehűlni a fölforrósodott akkumulátort.
4. Töltse fel az akkumulátort, ha hosszabb ideje (több mint hat hónapja) nem használta azt.

Fontos biztonsági utasítások a vezeték nélküli egységhez

1. Ne szerelje szét és ne módosítsa a vezeték nélküli egységet.
2. Tartsa távol a gyermekektől a vezeték nélküli egységet. Véletlen lenyelés esetén azonnal kérjen orvosi segítséget.
3. A vezeték nélküli egységet csak Makita szerszámgépekkel használja.
4. Ne tegye ki a vezeték nélküli egységet esőnek vagy nedves körülményeknek.
5. Ne használja a vezeték nélküli egységet olyan helyen, ahol a hőmérséklet meghaladja a 50 °C.
6. Ne használja a vezeték nélküli egységet orvosi berendezések, például pacemaker közelében.
7. Ne használja a vezeték nélküli egységet automatizált berendezések közelében. A működése közben az automatizált berendezések rendellenesen működhetnek vagy meghibásodhatnak.
8. A vezeték nélküli egység a felhasználóra veszélyt nem jelentő elektromágneses mezőket (EMF) hozhat létre.
9. A vezeték nélküli egység finom műszer. Vigyázzon, nehogy leejtse, vagy ütés érje a vezeték nélküli egységet.
10. Ne érintse meg a vezeték nélküli egység érintkezőit pusztán kézzel vagy fémes anyaggal.
11. A vezeték nélküli egység felszerelésekor mindig távolítsa el a szerszám gép akkumulátorát.
12. A nyílás fedelének nyitáskor kerülje az olyan helyeket, ahol por vagy víz juthat a nyílásba. Mindig tartsa tisztán a bemeneti nyílást.
13. A vezeték nélküli egységet csak a helyes irányban illessze be.

14. Ne nyomja meg túl erősen és/vagy éles szélekkel rendelkező tárggyal a vezeték nélküli egységen található vezeték nélküli aktiválás gombot.
15. A nyílás fedelét a használatot követően mindig zárja be.
16. Ne távolítsa el a vezeték nélküli egységet a nyílásból, amíg a szerszámgép áram alatt van. Ha így tesz, az a vezeték nélküli egység meghibásodásához vezethet.
17. Ne távolítsa el a vezeték nélküli egységen található matricát.
18. Ne ragasszon matricát a vezeték nélküli egységre.
19. Ne hagyja olyan helyen a vezeték nélküli egységet, ahol statikus elektromosság vagy elektromos zaj keletkezhet.
20. Ne hagyja a vezeték nélküli egységet olyan helyen, ahol az magas hőmérsékletnek lehet kitéve, például egy autóban a napon.
21. Ne hagyja a vezeték nélküli egységet poros helyen, vagy olyan helyen, ahol korrozív gáz képződhet.
22. A hirtelen hőmérsékletváltozás következtében pára csapódhat le a vezeték nélküli egységen. Ne használja a vezeték nélküli egységet, amíg teljesen meg nem száradt.
23. A vezeték nélküli egység tisztításakor törölje át puha ronggyal. Ne használjon benzint, higítót, vezető kenőanyagot vagy más hasonló anyagot.
24. A vezeték nélküli egységet a vele szállított tokban vagy antisztatikus tárolóban tárolja.
25. A szerszámgépen található nyílásba csak a Makita vezeték nélküli egységet csatlakoztassa.
26. Ne használja a szerszámgépet, ha a nyílás fedele sérült. A nyílásba bejutó víz, por és szennyeződések hibát okozhatnak.
27. Ne húzza és/vagy fordítsa el a fedelet a szükségesenél nagyobb mértékben. Szerelje vissza a fedelet, ha leválik a szerszámgépről.
28. Ha a nyílás fedele elveszik vagy megsérül, cserélje ki.

ŐRIZZE MEG EZEKET AZ UTASÍTÁSOKAT.

A MŰKÖDÉS LEÍRÁSA

⚠VIGYÁZAT: Minden esetben ellenőrizze, hogy a szerszám ki van kapcsolva és az akkumulátor eltávolításra került mielőtt beállít vagy ellenőriz valamilyen funkciót a szerszámon.

Az akkumulátor behelyezése és eltávolítása

⚠VIGYÁZAT: Mindig kapcsolja ki az eszközt, mielőtt behelyezi vagy eltávolítja az akkumulátort.

⚠VIGYÁZAT: Az akkumulátor behelyezésekor vagy eltávolításakor erősen fogja meg a szerszámot és az akkumulátort. Ha nem fogja erősen a szerszámot és az akkumulátort, azok kicsúszhatnak a kezei közül, ami a szerszám és az akkumulátor károsodásához, de akár személyi sérüléshez is vezethet.

► **Ábra7:** 1. Piros jel 2. Gomb 3. Akkumulátor

Az akkumulátoregység kivételéhez nyomja be az akkumulátoregység elején található gombot, és húzza le a gépről.

Az akkumulátor beszereléséhez illessze az akkumulátor nyelvért a burkolaton található vágatba és csúsztassa a helyére. Egészen addig tolja be, amíg az akkumulátor egy kis kattánással a helyére nem ugrik. Ha látható a piros jel a gomb felső oldalán, akkor a gomb nem tartant be teljesen.

⚠VIGYÁZAT: Mindig tolja be teljesen az akkumulátort, amíg a piros jel el nem tűnik. Ha ez nem történik meg, akkor az akkumulátor kieshet a szerszámból, és Önnek vagy a környezetében másnak sérülést okozhat.

⚠VIGYÁZAT: Ne erőltesse az akkumulátort behelyezéskor. Ha az akkumulátor nem csúszik be könnyedén, akkor nem megfelelően lett behelyezve.

MEGJEGYZÉS: A szerszám egy akkumulátorral nem használható.

Szerszám-/akkumulátorvédő rendszer


A gép szerszám-/akkumulátorvédő rendszerrel van felszerelve. A rendszer automatikusan kikapcsolja a motor áramellátását, így megnöveli a szerszám és az akkumulátor élettartamát. A gép használat közben automatikusan leáll, ha a szerszám vagy az akkumulátor a következő állapotba kerül. Ezek némelyikében a jelzőfények világítanak.

Túlterhelésvédelem

Ha a szerszámot úgy használják, hogy az rendellenesen nagy áramot vesz fel, a szerszám automatikusan leáll. Ilyenkor kapcsolja ki a gépet, és fejezze be azt a műveletet, amelyik a túlterhelést okozza. A munka újraindításához kapcsolja be a gépet.

Túlmelegedés elleni védelem

A gép túlmelegedéskor automatikusan leáll, és az akkumulátortöltöttség-jelző körülbelül 60 másodpercen keresztül villog. Ilyenkor hagyja lehűlni a gépet, mielőtt ismét bekapcsolná.

<input type="checkbox"/> be	<input type="checkbox"/> Villogó lámpa
	




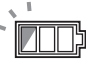
Mélykisütés elleni védelem

Amikor az akkumulátor kapacitása lecsökken, a gép automatikusan leáll. Ha a készülék a gombokkal sem működtethető, vegye ki az akkumulátort és töltsze fel.

Az akkumulátor töltöttségének jelzése

- **Ábra8:** 1. Akkumulátortöltöttség-jelző (a felső akkumulátorhoz) 2. Check (ellenőrzés) gomb 3. Akkumulátortöltöttség-jelző (az alsó akkumulátorhoz)

Nyomja meg a CHECK (ELLENŐRZÉS) gombot a hátralévő akkumulátor-kapacitás megjelenítéséhez. Az akkumulátortöltöttség-jelzők az egyes akkumulátorokra vonatkoznak.










Akkumulátor jelzőfényének állapota			Hátralévő akkumulátor-kapacitás
<input type="checkbox"/> BE	<input type="checkbox"/> KI	<input type="checkbox"/> Villogó lámpa	
			50%-tól 100%-ig
			20%-tól 50%-ig
			0%-tól 20%-ig
			Töltsze fel az akkumulátort

Az akkumulátor töltöttségének jelzése

Csak állapotjelzős akkumulátorok esetén

- **Ábra9:** 1. Jelzőlámpák 2. Check (ellenőrzés) gomb

Nyomja meg az ellenőrzőgombot, hogy az akkumulátortöltöttség-jelző megmutassa a hátralévő akkumulátor-kapacitást. Ekkor a töltöttség-szint-jelző lámpák néhány másodpercre kigyulladnak.

Jelzőlámpák			Töltöttségi szint
 Világító lámpa	<input type="checkbox"/> KI	 Villogó lámpa	
			75%-tól 100%-ig
	<input type="checkbox"/>		50%-tól 75%-ig
	<input type="checkbox"/>	<input type="checkbox"/>	25%-tól 50%-ig
	<input type="checkbox"/>	<input type="checkbox"/>	0%-tól 25%-ig
	<input type="checkbox"/>	<input type="checkbox"/>	Töltsze fel az akkumulátort.
	<input type="checkbox"/>	<input type="checkbox"/>	Lehetséges, hogy az akkumulátor meghibásodott.
<input type="checkbox"/>	<input type="checkbox"/>		

MEGJEGYZÉS: Az adott munkafeltételektől és a környezeti hőmérsékletétől függően a jelzett töltöttségi szint némileg eltérhet a tényleges töltöttségi szinttől.

Automatikus sebességváltó funkció

MEGJEGYZÉS: Az automatikus sebességváltó funkció csak akkor áll rendelkezésre, ha a beállítógyűrű az 5. számon áll.

A szerszám „magas fordulatszámú módban” és „nagy nyomatékú módban” is képes működni.

A szerszám a terhelés függvényében automatikusan vált az üzemmódok között. Ha a terhelés kicsi, a szerszám „magas fordulatszámú módban” működik, így gyors fűrészelést tesz lehetővé. Ha a terhelés nagy, a szerszám „nagy nyomatékú módban” működik, így nagy teljesítményű fűrészelést tesz lehetővé.

- **Ábra10:** 1. Üzemmód-visszajelző

Amikor a szerszám „nagy nyomatékú módban” üzemel, az üzemmód-visszajelző zölden világít.

Ha a szerszámot túl nagy terhelés mellett működtetik, a üzemmód-visszajelző zölden villogni kezd. Ha csökkent a szerszám terhelését, az üzemmód-visszajelző abbahagyja a villogást, és világítani kezd vagy kikapcsol.

Az üzemmód-visszajelző állapota			Üzemmód
<input type="radio"/> Be	<input type="radio"/> Ki	<input type="radio"/> Villogó lámpa	
<input type="radio"/>	<input type="radio"/>	<input type="radio"/>	Magas fordulatszámú mód
<input type="radio"/>	<input type="radio"/>	<input type="radio"/>	Nagy nyomatékú mód
<input type="radio"/>	<input type="radio"/>	<input type="radio"/>	Túlterhelési figyelmeztetés

A vágási mélység beállítása

⚠ VIGYÁZAT: A vágási mélység beállítása után mindig húzza meg a szorítócsavart.

Lazítsa meg a mélységvezetőn található szorítócsavart, és mozgassa a fűrészláncra alsó ütközőjét a kívánt mélységbe a mérőlemezen. Ha elérte a kívánt vágási mélységet, húzza meg erősen a szorítócsavart.

A tisztább és biztonságosabb vágás érdekében úgy állítsa be a vágási mélységet, hogy a fűrészláncának legfeljebb egy foga nyúljon túl a munkadarabra. A megfelelően megválasztott vágási mélységgel a veszélyes VISSZARÚGÁSOK és az azok okozta személyi sérülések megelőzhetők.

▶ **Ábra11:** 1. Fűrészláncra alsó ütközője 2. Szorítócsavar

Gyorsleállító gomb 2–3 mm-es vágási mélységhez a vezetősín használatával (opcionális tartozék)

A szerszámon egy gyorsleállító gomb található 2–3 mm-es vágási mélységhez a fogakerékhez, a hátsó markolat mellett, amennyiben fel van szerelve a vezetősínnel.

Segítségével elkerülheti, hogy szálkás legyen a munkadarab a vágás mentén. Először végezzen vágást 2–3 mm mélységben, majd ezután végezze el a szokásos vágást.

▶ **Ábra12:** 1. Gyorsleállító gomb

A 2–3 mm mélységű vágáshoz nyomja be a gyorsleállító gombot a fűrészláncra felé. Praktikus megoldás, ha szeretné elkerülni a munkadarab szálkásodását.

A vágási mélység pozíciójának feloldásához és a vágási mélység szabad beállításához egyszerűen húzza vissza a gombot.

Ferdevágás

Lazítsa meg a szorítócsavarokat. Állítsa be a kívánt szöget a megfelelő döntéssel, majd húzza meg a szorítócsavarokat.

▶ **Ábra13:** 1. Szorítócsavar 2. Ferdevágás mérőlemeze

▶ **Ábra14:** 1. Kiegészítő talplemez (Opcionális kiegészítők) 2. Szorítócsavar

Ütköző

Az ütköző segít a kívánt szög gyors beállításában. Fordítsa el az ütközőt úgy, hogy a rajta levő nyíl 22,5° értékre mutasson. Lazítsa ki elől és hátul is a szorítócsavarokat. Döntse a fűrészláncát addig, amíg az meg nem áll, majd rögzítse a talplemezt a szorítócsavarok segítségével.

▶ **Ábra15:** 1. Ütköző 2. Szorítócsavar

48°-os ferdevágás

A 48°-os ferdevágáshoz lazítsa meg a szorítócsavarokat, majd döntse a kart ütközésig az ábrán látható nyíl irányába. Ezután állítsa a ferdevágási szöget 48°-ra, majd húzza meg a szorítócsavarokat.

▶ **Ábra16:** 1. Kar

-1°-os ferdevágás

A -1°-os ferdevágáshoz lazítsa meg a szorítócsavarokat, majd nyomja a karokat az ábrán látható nyíl irányába. Ezután állítsa a ferdevágási szöget -1°-ra, majd húzza meg a szorítócsavarokat.

▶ **Ábra17:** 1. Kar

Írányzás

▶ **Ábra18:** 1. Talplemez

A vágási vonal a vágási szögőtől, illetve attól függ, hogy használja-e a vezetősínt (opcionális tartozék).

A szerszám használata vezetősín nélkül

Egyenes vágásokhoz igazítsa a talplemez elején található A pozíciót a vágási vonalra. A 45°-os ferdevágáshoz igazítsa a B pontot a vonalra.

A szerszám használata a vezetősínnel

Egyenes vágásokhoz és 45°-os ferdevágásokhoz is igazítsa a talplemez elején található A pozíciót a vágási vonalra.

A kapcsoló használata

⚠ FIGYELMEZTETÉS: Mielőtt behelyezi az akkumulátort a szerszámba, mindig ellenőrizze, hogy a kapcsológomb hibátlanul működik és felengedéskor „OFF” állásba áll-e.

⚠ FIGYELMEZTETÉS: NE gátolja a reteszelő kapcsoló üzemszerű működését azzal, hogy lera-gasztja, vagy más módon kítámasztja. Az üzempé-tennelt tett kapcsoló a gép szándékolatlan beindulásához vezethet, ami súlyos személyi sérüléssel járhat.

⚠ FIGYELMEZTETÉS: SOHA ne használja ezt a szerszámot, ha az akkor is beindul amikor Ön a reteszelőgomb megnyomása nélkül húzza meg a kapcsológombot. A javításra szoruló kapcsoló a gép szándékolatlan beindulásához vezethet, ami súlyos személyi sérüléssel járhat. A további használat ELŐTT vigye a szerszámot javításra egy MAKITA szervizközpontba.

A kapcsológomb véletlen működtetését reteszelő gomb gátolja meg. A szerszám bekapcsolásához nyomja le a kireteszelőgombot és húzza meg a kapcsológombot. A megállításhoz engedje el a kapcsológombot.

▶ **Ábra19:** 1. Kapcsológomb 2. Reteszelőgomb

MEGJEGYZÉS: Ne húzza túlzott erővel a kapcsológombot úgy, hogy nem nyomta be a reteszelőgombot. Ez a kapcsoló törését okozhatja.

Fordulatszám-szabályozó tárcsa

A gép fordulatszáma a szabályozótárcsa elfordításával állítható be. Ha nagyobb számot állít be a fordulatszám-szabályozó tárcsán, a fűrészlánc forgási sebessége nő.

▶ **Ábra20:** 1. Fordulatszám-szabályozó tárcsa

Tájékozódjon a táblázatból a vágni kívánt munkadarabhoz leginkább megfelelő fordulatszámról. A megfelelő fordulatszám a munkadarab típusától vagy vastagságától függően eltérő lehet. A magasabb fordulatszám a munkadarab gyorsabb vágását teszi lehetővé, azonban csökkenti a fűrészlánc élettartamát.

Szám	A fűrészláncra percenkénti fordulatszáma (min ⁻¹)
1	2 500 min ⁻¹
2	2 900 min ⁻¹
3	3 900 min ⁻¹
4	4 900 min ⁻¹
5	6 300 min ⁻¹

⚠VIGYÁZAT: A fordulatszám-szabályozó tárcsa nem teszi lehetővé alacsony névleges fordulatszámú fűrésztárcsák használatát. Célja, hogy segítségével a kezelő beállíthassa a munkadarab anyagához leginkább megfelelő fordulatszámot. Csak olyan fűrésztárcsákat használjon, amelyek legalább a MŰSZAKI ADATOK részben leírt maximális üresjáratú fordulatszámokkal rendelkeznek.

MEGJEGYZÉS: A fordulatszám-szabályozó tárcsa csak az 5-ös számig fordítható el, visszafelé pedig az 1-ig. Ne erőltesse a tárcsát az 5-ös vagy 1-es jelzésen túl, mert a fordulatszám-szabályozó funkció elromolhat.

Elektronikus funkció

Az elektronikus funkciókkal ellátott szerszámokat könnyű működtetni a következő jellemzők miatt.

Túlterhelésvédelem

Ha a szerszám túlterhelődik, és az áramerősség meghalad egy meghatározott szintet, a szerszám a motor védelme érdekében azonnal leáll.

Állandó fordulatszám-szabályozás

Elektronikus fordulatszám-szabályozás az állandó fordulatszám elérése érdekében. Lehetővé válik a finommegmunkálás, mivel a fordulatszám még terhelés alatt is ugyanaz marad.

Lágyindítás

A lágyindítás az indulási lökést gátolja meg.

ÖSSZESZERELÉS

⚠VIGYÁZAT: Minden esetben ellenőrizze, hogy a szerszám ki van kapcsolva és az akkumulátort levette, mielőtt bármilyen műveletet végez a szerszámon.

Az imbuszkulcs tárolása

Amikor nem használja, tárolja az imbuszkulcsot az ábrán látható módon, nehogy elveszsen.

► **Ábra21:** 1. Imbuszkulcs

A körfűrésztárcsa eltávolítása és felhelyezése

⚠VIGYÁZAT: Ügyeljen arra, hogy a körfűrésztárcsát úgy szerelje fel, hogy a fogak a szerszám elejénél felfelé mutassanak.

⚠VIGYÁZAT: A körfűrésztárcsa felszereléséhez vagy eltávolításához csak a Makita kulcsot használja.

A körfűrésztárcsa eltávolítása:

1. Nyomja be a kireteszelőgombot, és kissé engedje le a fogantyút. Fordítsa el a reteszelőkart, és engedje le a fogantyút addig, amíg a rögzítőcsap be nem akad a lyukba.

► **Ábra22:** 1. Kireteszelőgomb 2. Reteszelőkar
3. Rögzítőcsap 4. Rögzítőcsap lyukja

2. Nyomja be teljesen a tengelyreteszt, hogy a fűrésztárcsa ne tudjon elfordulni, és lazítsa meg az imbuszcsavart a kulccsal.

► **Ábra23:** 1. Tengelyreteszt 2. Imbuszkulcs
3. Szorítás 4. Lazítás

3. Távolítsa el a csavart, a külső illesztőperemet és a körfűrésztárcsát.

► **Ábra24:** 1. Hatlapfejű csavar 2. Külső illesztőperem
3. Belső illesztőperem 4. Körfűrésztárcsa

⚠FIGYELMEZTETÉS: Ha eltávolítja a belső illesztőperemet, szerelje fel azt az órsóra. Felszereléskor válassza azt az oldalt, melynek kiemelkedése tökéletesen beleillik a fűrésztárcsa nyílásába. Amennyiben a fűrésztárcsát a rossz oldalra szereli fel, veszélyes rezgés jöhet létre.

A körfűrésztárcsa felszereléséhez kövesse a leszerelési eljárást fordított sorrendben. Nyomja be a kireteszelőgombot, hogy a rögzítőcsap kiugorjon a lyukból.

⚠FIGYELMEZTETÉS: ERŐSEN HÚZZA MEG AZ IMBUSZCSAVART. Arra is ügyeljen, hogy ne erőltesse a csavart. Ha lecsúszik a keze az imbuszkulcsról, személyi sérülés következhet be.

Fűrészlappvédő tisztítása

A körfűrésztárcsa cseréjekor tisztítsa le a fűrészlappvédőről a ráakodott fűrészpórt a Karbantartás részben leírtaknak megfelelően. Ezek a műveletek ugyanakkor nem helyettesítik a fűrészlappvédő működésének minden használat előtt szükséges ellenőrzését.

Porszívó csatlakoztatása

Opcionális kiegészítők

Ha tiszta vágást szeretne végezni, csatlakoztasson egy Makita porszívót a szerszámmal. Csatlakoztassa a porszívó csővét a porkifűvóhoz a 24-es elülső karmanyú segítségével.

► **Ábra25:** 1. Porszívó csőve 2. Elülső karmanyú (24)
3. Porkifűvó

MŰKÖDTETÉS

⚠VIGYÁZAT: Figyeljen oda, hogy a szerszámot egyenes vonal mentén, folyamatosan tolja előre. A szerszám erőltetése vagy csavarása a motor túlmelegedéséhez vezet, valamint veszélyes visszarúgásokat eredményez, amelyek súlyos sérüléseket okozhatnak.

⚠VIGYÁZAT: Soha ne közelítse semmilyen testrészét a szerszám talplemez alatti részéhez keresztvágáskor, különösen nem annak elkezdésekor. Ha mégis így tesz, komoly személyi sérülést szenvedhet. A fűrésztárcsa kinyúlik a szerszám talplemeze alá.

MEGJEGYZÉS: Ha az akkumulátor hőmérséklete túl alacsony, előfordulhat, hogy a szerszám nem működik teljes teljesítménnyel. Ebben az esetben használja egy ideig könnyű munkákhoz a szerszámot, amíg az akkumulátor szobahőmérsékletűvé válik. Ezután a szerszám teljes kapacitással fog működni.

Keresztvágás (hagyományos fűrészelés)

► Ábra26

Tartsa stabilan a szerszámot. A szerszám elülső markolatától és hátsó fogantyúval van ellátva. A szerszámot mindkettőnél fogva tartsa. Ha két kézzel tartja a fűrészt, akkor a körfűrész tárcsa nem vághatja el a kezét. A szerszám talpát helyezze a vágandó munkadarabra úgy, hogy a körfűrész tárcsa ne érintkezzen vele. Ezután nyomja be a kireteszelő gombot, majd húzza meg a kapcsoló gombot. Várjon, amíg a körfűrész tárcsa eléri a teljes sebességet. Nyomja le lassan a fűrészfeket a beállított vágási mélységig, és egyszerűen mozgassa előre a munkadarab felületén. Tartsa vízszintesen a szerszámot, és egyenletesen haladjon előre a fűrészelés befejezéséig.

A tiszta vágás érdekében tartsa egyenesen a vágási vonalat, és alkalmazzon egyenletes előretolási sebességet. Ha a vágás nem követi megfelelően a kívánt vágási vonalat, ne próbálja meg a szerszámot elfordítani vagy visszaerőltetni a vonalra! Ekkor ugyanis a körfűrész tárcsa megakadhat, ami veszélyes viszszerűgáshoz és súlyos sérüléshez vezethet. Engedje fel a kapcsolót, várja meg, míg a körfűrész tárcsa leáll, majd emelje fel a munkadarabról a szerszámot. Állítsa rá a szerszámot az új vágási vonalra, majd kezdje meg ismét a vágást. Kerülje az olyan testhelyzeteket, melyeknél a kezelő a fűrészt által kibotott forgács és fűrészporszór útjába kerül. A sérülések megelőzése érdekében használjon védőszemüveget.

Vezetősín

Opcionális kiegészítők

Helyezze a szerszámot a vezetősín hátsó végére. Fordítsa el a szerszám talplemezen található két beállítócsavart úgy, hogy a szerszám akadály nélkül csússzon, kattogás nélkül. Erősen fogja a szerszám elülső markolatát és hátsó fogantyúját is. Kapcsolja be a szerszámot, nyomja le az előre beállított vágási mélységre, és egy vágással vágja végig teljes hosszában a kipattogzást gátlót. Így a kipattogzást gátló széle megfelel a vágóélnék.

► Ábra27: 1. Beállítócsavarok

Ha ferdevágást végez a vezetősín segítségével, a csúszókar segítségével elkerülheti a szerszám felborulását. Mozgassa a talplemezen található csúszókart a nyíl irányába, hogy az beakadjon a vezetősín alsó vajatába.

► Ábra28: 1. Csúszókar

Kiegészítő talplemez (vezetővonalzó)

Opcionális kiegészítők

Ha a kiegészítő talplemezt vezetővonalzóként használja, rendkívül pontos egyenes vágásokat végezhet. Lazítsa meg a szorítócsavarokat, és csúsztassa ki a kiegészítő talplemezt a szerszámból, majd illesse vissza fejfel lefelé.

► Ábra29: 1. Szorítócsavar 2. Kiegészítő talplemez

Egyszerűen illesse a kiegészítő talplemez lécét a munkadarab oldalához, majd rögzítse a szorítócsavarok segítségével. Azt is lehetővé teszi, hogy egymás után több azonos szélességű vágást végezzen.

► Ábra30: 1. Szorítócsavar 2. Kiegészítő talplemez

Merülővágás (kivágás)

▲ FIGYELMEZTETÉS: A visszarúgás elkerülése érdekében tartsa be a következő utasításokat.

► Ábra31: 1. Talplemez hátsó széle 2. Rögzített ütköző

Ha vezetősín nélkül használja a szerszámot, úgy helyezze azt a munkadarabra, hogy a szerszám talplemezének hátsó szélét egy rögzített ütközőnek vagy a kezelő által előkészített hasonló eszköznek támasztja.

Ha vezetősínnel használja a szerszámot, úgy helyezze azt a munkadarabra, hogy a szerszám talplemezének hátsó szélét egy vezetősínre rögzített ütközőnek vagy hasonló eszköznek támasztja.

Erősen fogja a szerszámot egyik kezével az elülső fogantyújánál, a másikkal pedig a markolatánál. Ezután nyomja be a kireteszelő gombot, kapcsolja be a szerszámot, és várjon, amíg a fűrész tárcsa eléri a teljes sebességet. Lassan nyomja le a fűrészfeket az előre beállított vágási mélységig, majd egyszerűen mozgassa előre a szerszámot a kívánt merülési pontig.

MEGJEGYZÉS: A fűrészlappvédő oldalán található jelölések jelzik a fűrész tárcsa első és hátsó vágási pontját a maximális vágási mélység és a vezetősín használata mellett.

► Ábra32: 1. Első vágási pont 2. Hátsó vágási pont

Vezetőeszköz

Opcionális kiegészítők

A ferde megvezető használata pontos szögű, összeálló munkadarabokat eredményező gérvágást tesz lehetővé. A szorító segítségével erősen rögzítheti a munkadarabot az asztalon.

VEZETÉK NÉLKÜLI AKTIVÁLÁS FUNKCIÓ

Csak a DSP601 típus esetén

Mire használható a vezeték nélküli aktiválás funkció?

A vezeték nélküli aktiválás funkció tiszta és kényelmes munkavégzést tesz lehetővé. Ha egy támogatott porszívót csatlakoztat a szerszámgéphez, a porszívót automatikusan működtetheti a szerszámgép kapcsolójával.

► Ábra33

A vezeték nélküli aktiválás funkció használatához a következőkre van szüksége:

- A vezeték nélküli egység (opcionális tartozék)
- A vezeték nélküli aktiválás funkciót támogató porszívó

A vezeték nélküli aktiválás funkció beállításának áttekintését az alábbiakban találja. A részletes eljárásokkal kapcsolatos információkért tekintse meg az egyes szakaszokat.

1. A vezeték nélküli egység felszerelése
2. A szerszámgép regisztrációja a porszívóval
3. A vezeték nélküli aktiválás funkció elindítása

A vezeték nélküli egység felszerelése

Opcionális kiegészítők

⚠ VIGYÁZAT: Helyezze a szerszámgépet sík és stabil felületre a vezeték nélküli egység felszereléséhez.

MEGJEGYZÉS: A vezeték nélküli egység felszerelése előtt tisztítsa meg a szerszámgépet a portól és a szennyeződéstől. A por és a szennyeződés meghibásodást okozhat a vezeték nélküli egység nyílásába kerülve.

MEGJEGYZÉS: A statikus elektromosság által okozott meghibásodás elkerülése érdekében érintse meg a szerszámgép statikus kisütésre alkalmas anyagból, például fémből készült alkatrészét, mielőtt a vezeték nélküli egységhez érne.

MEGJEGYZÉS: A vezeték nélküli egység felszerelésekor ügyeljen rá, hogy a vezeték nélküli egységet a megfelelő irányban illessze be, és a fedél teljesen zárva legyen.

1. Az ábrának megfelelően nyissa ki a szerszámgép-panel található fedelet.

▶ **Ábra34:** 1. Fedél

2. Illessze be a vezeték nélküli egységet a nyílásba, és zárja be a fedelet.

A vezeték nélküli egység beillesztésekor igazítsa a nyulványokat a nyílás sülyesztett részeihez.

▶ **Ábra35:** 1. Vezeték nélküli egység 2. Nyulvány 3. Fedél 4. Sülyesztett rész

A vezeték nélküli egység eltávolításakor lassan nyissa ki a fedelet. Amikor felhúzza a fedelet, a fedél hátoldalán található horgok lassan kiemelik a vezeték nélküli egységet.

▶ **Ábra36:** 1. Vezeték nélküli egység 2. Horog 3. Fedél

A vezeték nélküli egységet az eltávolítását követően tartsa a vele szállított tokban vagy antistatikus tárolóban.

MEGJEGYZÉS: A vezeték nélküli egység eltávolításához mindig a fedél hátoldalán található horgokat használja. Ha a horgok nem akadnak bele a vezeték nélküli egységbe, ismét zárja vissza a fedelet, és nyissa ki ismét lassan.

A szerszámgép regisztrációja a porszívóval

MEGJEGYZÉS: A szerszámgép regisztrálásához a vezeték nélküli aktiválás funkciót támogató porszívóra van szükség.

MEGJEGYZÉS: A szerszámgép regisztrációjának megkezdése előtt szerelje be a vezeték nélküli egységet a szerszámgépbe.

MEGJEGYZÉS: A szerszámgép regisztrálása közben ne nyomja meg a kapcsológombot, és ne fordítsa el a tápkapcsolót a porszívón.

MEGJEGYZÉS: Tekintse át a porszívó használati útmutatóját is.

Ha a szerszámgép kapcsolójának működtetésével egyidejűleg kívánja aktiválni a porszívót, akkor először végezze el a szerszámgép regisztrációját.

1. Illessze be az akkumulátorokat a porszívóba és a szerszámgépbe.

2. Állítsa a porszívó készenléti kapcsolóját „AUTO” helyzetbe.

▶ **Ábra37:** 1. Készenléti kapcsoló

3. Nyomja le a porszívó vezeték nélküli aktiválás gombját 3 másodpercig, amíg a vezeték nélküli aktiválás lámpája zölden nem villog. Ezután nyomja le ugyanígy a szerszámgép vezeték nélküli aktiválás gombját.

▶ **Ábra38:** 1. Vezeték nélküli aktiválás gomb

2. Vezeték nélküli aktiválás lámpája

A porszívó és a szerszámgép sikeres összekapcsolása esetén a vezeték nélküli aktiválás lámpája 2 másodpercig zölden világít, majd kéken kezd villogni.

MEGJEGYZÉS: A vezeték nélküli aktiválás lámpája a zölden villogást 20 másodperc elteltével fejezi be. Addig nyomja meg a szerszámgép vezeték nélküli aktiválás gombját, amíg a porszívón villog a vezeték nélküli aktiválás lámpája. Ha a vezeték nélküli aktiválás lámpája nem villog zölden, akkor nyomja le röviden a vezeték nélküli aktiválás gombot, és tartsa ismét lenyomva.

MEGJEGYZÉS: Ha kettő vagy több szerszámgépet regisztrál egy porszívóhoz, akkor a szerszámgépek regisztrálását egymás után végezze el.

A vezeték nélküli aktiválás funkció elindítása

MEGJEGYZÉS: A vezeték nélküli aktiválás előtt végezze el a szerszámgép regisztrálását.

MEGJEGYZÉS: Tekintse át a porszívó használati útmutatóját is.

Miután regisztrált egy szerszámgépet a porszívóhoz, a porszívó automatikusan a szerszámgép kapcsolójának működtetésével egyszerre üzemel.

1. Szerelje fel a vezeték nélküli egységet a szerszámgépre.

2. Csatlakoztassa a porszívó csövét a szerszámgéphez.

▶ **Ábra39**

3. Állítsa a porszívó készenléti kapcsolóját „AUTO” helyzetbe.

▶ **Ábra40:** 1. Készenléti kapcsoló

4. Nyomja meg röviden a szerszámgép vezeték nélküli aktiválás gombját. A vezeték nélküli aktiválás gomb kéken villog.

▶ **Ábra41:** 1. Vezeték nélküli aktiválás gomb

2. Vezeték nélküli aktiválás lámpája

5. Nyomja meg a szerszámgép kapcsológombját. Ellenőrizze, hogy működik-e a porszívó a kapcsológomb nyomva tartásakor.

A porszívó vezeték nélküli aktiválásának leállításához nyomja meg a szerszámgép vezeték nélküli aktiválás gombját.

MEGJEGYZÉS: Ha 2 órán keresztül nem működtetik, akkor a szerszámgép vezeték nélküli aktiválás lámpájának kék villogása leáll. Ebben az esetben állítsa az „AUTO” helyzetbe a porszívó készenléti kapcsolóját, és nyomja meg ismét a szerszámgépen a vezeték nélküli aktiválás gombját.

MEGJEGYZÉS: A porszívó késleltetéssel indul/áll le. A porszívó időben eltolva érzékeli a szerszámgép kapcsológombos működtetését.










MEGJEGYZÉS: A vezeték nélküli egység átviteli távolsága a helyszíntől és a környezeti feltételektől függően eltérhet.

MEGJEGYZÉS: Ha egy porszívóhoz két vagy több szerszámgép van regisztrálva, akkor a porszívó a kapcsológomb megnyomása nélkül is működhet, mert egy másik felhasználó is használja a vezeték nélküli aktiválás funkciót.

A vezeték nélküli aktiválás lámpa állapotának leírása

► Ábra42: 1. Vezeték nélküli aktiválás lámpája

A vezeték nélküli aktiválás lámpa a vezeték nélküli aktiválás funkció állapotáról tájékoztat. A lámpa állapotának jelentésével kapcsolatban az alábbi táblázatban talál információkat.

Állapot	Vezeték nélküli aktiválás lámpája				Leírás
	Szín	 Be	 Villogó lámpa	Időtartam	
Készenléti	Kék		2 óra	A porszívó vezeték nélküli aktiválás funkciója rendelkezésre áll. A lámpa automatikusan kikapcsol, ha a szerszámgépet 2 órán át nem működtetik.	
				Amikor a szerszámgép működik.	A porszívó vezeték nélküli aktiválás funkciója rendelkezésre áll, és a szerszámgép üzemel.
Szerszámgép regisztrálása	Zöld		20 másodperc	A szerszámgép készen áll a regisztrálására. Várakozás a porszívón történő regisztrálásra.	
			2 másodperc	A szerszámgép regisztrálása befejeződött. A vezeték nélküli aktiválás lámpája kéken kezd villogni.	
A szerszámgép regisztrálásának visszavonása	Piros		20 másodperc	Készen áll a szerszámgép regisztrációjára. Várakozás a porszívón történő regisztrálás visszavonására.	
			2 másodperc	A szerszámgép regisztrációjának visszavonása befejeződött. A vezeték nélküli aktiválás lámpája kéken kezd villogni.	
Egyebek	Piros		3 másodperc	A vezeték nélküli egység tápellátást kap, és a vezeték nélküli aktiválás funkció elindul.	
	Ki	-	-	A porszívó vezeték nélküli aktiválása leállt.	

A szerszámgép porszívón történő regisztrációjának visszavonása

A szerszámgép porszívón történő regisztrálásakor tegye a következőket.

1. Illessze be az akkumulátorokat a porszívóba és a szerszámgépbe.
2. Állítsa a porszívó készenléti kapcsolóját „AUTO” helyzetbe.

► Ábra43: 1. Készenléti kapcsolat

3. Nyomja le 6 másodpercre a porszívó vezeték nélküli aktiválás gombját. A vezeték nélküli aktiválás gombja zölden villog, majd pirosra vált. Ezután nyomja le ugyanígy a szerszámgép vezeték nélküli aktiválás gombját.

► Ábra44: 1. Vezeték nélküli aktiválás gomb 2. Vezeték nélküli aktiválás lámpája

Ha a visszavonás sikeres volt, a vezeték nélküli aktiválás lámpája 2 másodpercig pirosan világít, majd kéken kezd villogni.

MEGJEGYZÉS: A vezeték nélküli aktiválás lámpája a pirosan villogást 20 másodperc elteltével fejezi be. Addig nyomja meg a szerszámgép vezeték nélküli aktiválás gombját, amíg a porszívón villog a vezeték nélküli aktiválás lámpája. Ha a vezeték nélküli aktiválás lámpája nem villog pirosan, akkor nyomja le röviden a vezeték nélküli aktiválás gombot, és tartsa ismét lenyomva.

A vezeték nélküli aktiválás funkció hibaelhárítása

Mielőtt a szervizhez fordulna, először végezzen saját maga is átvizsgálást. Ha olyan problémát talál, amire a kézikönyv nem tartalmaz magyarázatot, ne próbálja meg szétszedni az eszközt. Ehelyett kérjen tanácsot a Makita hivatalos szervizközpontjától, és javításhoz mindig Makita cserealkatrészeket használjon.

Rendellenesség	Lehetséges ok (meghibásodás)	Megoldás
A vezeték nélküli aktiválás lámpája nem világít/villog.	A vezeték nélküli egység nincs felszerelve a szerszámgépre. A vezeték nélküli egység nincs megfelelően felszerelve a szerszámgépre.	Szerelje fel helyesen a vezeték nélküli egységet.
	A vezeték nélküli egység és/vagy a nyílás érintkezője szennyezett.	Óvatosan törölje le a port és a szennyeződést a vezeték nélküli egység érintkezőjéről, és tisztítsa meg a nyílást.
	Nem lett lenyomva a szerszámgép vezeték nélküli aktiválás gombja.	Nyomja meg röviden a szerszámgép vezeték nélküli aktiválás gombját.
	A porszívó készenléti kapcsolója nincs „AUTO” helyzetbe állítva.	Állítsa a porszívó készenléti kapcsolóját „AUTO” helyzetbe.
	Nincs tápellátás	Biztosítsa a szerszámgép és a porszívó tápellátását.
Nem lehet sikeresen befejezni a szerszámgép regisztrációját/ szerszámgép regisztrációjának visszavonását.	A vezeték nélküli egység nincs felszerelve a szerszámgépre. A vezeték nélküli egység nincs megfelelően felszerelve a szerszámgépre.	Szerelje fel helyesen a vezeték nélküli egységet.
	A vezeték nélküli egység és/vagy a nyílás érintkezője szennyezett.	Óvatosan törölje le a port és a szennyeződést a vezeték nélküli egység érintkezőjéről, és tisztítsa meg a nyílást.
	A porszívó készenléti kapcsolója nincs „AUTO” helyzetbe állítva.	Állítsa a porszívó készenléti kapcsolóját „AUTO” helyzetbe.
	Nincs tápellátás	Biztosítsa a szerszámgép és a porszívó tápellátását.
	Nem megfelelő működés	Nyomja meg röviden a vezeték nélküli aktiválás gombját, és hajtsa végre ismét a szerszámgép regisztrációját/szerszámgép regisztrációjának visszavonását.
	A szerszámgép és a porszívó túl messze vannak egymástól (az átviteli hatótávolságon túl).	Vigye közelebb egymáshoz a porszívót és a szerszámgépet. A maximális átviteli távolság kb. 10 méter, azonban ez a feltételektől függően eltérő lehet.
	Mielőtt befejezte a szerszámgép regisztrációját/szerszámgép regisztrációjának visszavonását; - megnyomták a szerszámgép kapcsológombját, vagy; - elfordították a porszívó bekapcsológombját.	Nyomja meg röviden a vezeték nélküli aktiválás gombját, és hajtsa végre ismét a szerszámgép regisztrációját/szerszámgép regisztrációjának visszavonását.
	A szerszámgép vagy a porszívó szerszámgép-regisztrálási eljárása még nem fejeződött be.	Hajtsa végre egyszerre a szerszámgép és a porszívó szerszámgép-regisztrálási eljárását.
	Nagy intenzitású rádióhullámokat generáló egyéb berendezések által okozott rádiójel-zavarás.	Tartsa távol a szerszámgépet és a porszívót a Wi-Fi-eszközöktől, mikrohullámú sütőktől és hasonlóktól.

Rendellenesség	Lehetséges ok (meghibásodás)	Megoldás
A porszívó nem a szerszámgép működtetésével összehangolva üzemel.	A vezeték nélküli egység nincs felszerelve a szerszámgépre. A vezeték nélküli egység nincs megfelelően felszerelve a szerszámgépre.	Szerelje fel helyesen a vezeték nélküli egységet.
	A vezeték nélküli egység és/vagy a nyílás érintkezője szennyezett.	Óvatosan törölje le a port és a szennyeződést a vezeték nélküli egység érintkezőjéről, és tisztítsa meg a nyílást.
	Nem lett lenyomva a szerszámgép vezeték nélküli aktiválás gombja.	Nyomja le röviden a vezeték nélküli aktiválás gombját, és győződjön meg róla, hogy a vezeték nélküli aktiválás lámpája kéken villog.
	A porszívó készenléti kapcsolója nincs „AUTO” helyzetbe állítva.	Állítsa a porszívó készenléti kapcsolóját „AUTO” helyzetbe.
	Több mint 10 szerszámgép van a porszívón regisztrálva.	Hajtsa végre ismét a szerszámgép regisztrációját. Ha több mint 10 szerszámgép van regisztrálva a porszívóhoz, akkor az először regisztrált szerszámgép automatikusan törlődni fog.
	A porszívó minden szerszámgép-regisztrációt törölt.	Hajtsa végre ismét a szerszámgép regisztrációját.
	Nincs tápellátás	Biztosítsa a szerszámgép és a porszívó tápellátását.
	A szerszámgép és a porszívó túl messze vannak egymástól (az átviteli hatótávolságon túl).	Vigye közelebb egymáshoz a porszívót és a szerszámgépet. A maximális átviteli távolság kb. 10 méter, azonban ez a feltételektől függően eltérő lehet.
Nagy intenzitású rádióhullámokat generáló egyéb berendezések által okozott rádiójel-zavarás.	Tartsa távol a szerszámgépet és a porszívót a Wi-Fi-eszközöktől, mikrohullámú sütőktől és hasonlóktól.	
A porszívó a szerszámgép kapcsológombjának lenyomása nélkül is működik.	Más felhasználók használják a porszívó vezeték nélküli aktiválás funkcióját a saját szerszámgépeikkel.	Kapcsolja ki a többi szerszámgép vezeték nélküli aktiválás gombját, vagy vonja vissza a többi szerszámgép regisztrációját.

KARBANTARTÁS

⚠ VIGYÁZAT: Minden esetben ellenőrizze, hogy a szerszám ki van kapcsolva és az akkumulátor eltávolításra került mielőtt átvizsgálja a szerszámot vagy annak karbantartását végzi.

⚠ VIGYÁZAT: Tisztítsa le a fűrészlapvédőről a ráakódott fűrészport, mert az akadályozhatja a védőrendszer megfelelő működését. A szennyezett védőrendszer korlátozhatja a megfelelő működést, ami súlyos személyi sérüléshez vezethet. A tisztítást leghatékonyabban sűrített levegővel végezheti el. **Ha port fúvat ki a fűrészlapvédőkből, viseljen megfelelő szem- és légzésvédő eszközt.**

MEGJEGYZÉS: Soha ne használjon gázolajt, benzint, hígítót, alkoholt vagy hasonló anyagokat. Ezek elszíneződést, alakvesztést vagy repedést okozhatnak.

A 0°-os és a 45°-os vágás pontosságának beállítása

MEGJEGYZÉS: Ne használja a -1°-os ferdevágási szöghöz tartozó karokat, amikor a 0°-os vágás pontosságát állítja be.

MEGJEGYZÉS: Ne használja a 48°-os ferdevágási szöghöz tartozó kart, amikor a 45°-os vágás pontosságát állítja be.

Ezeket a beállításokat már elvégezték a gyárban. Ha mégsem pontosak, a következő módon állíthatja be őket.

1. Enyhén lazítsa meg a szorítócsavarokat a szerszám első és hátsó részén.
2. Állítsa be a fűrészlárcsa szögét.
▶ **Ábra45:** 1. Háromszögvonalzó

A 0°-os vágás pontosságának beállításához egy háromszögvonalzó vagy egy derékszögű vonalzó segítségével állítsa a talplemezt a tárcsával merőlegesre úgy, hogy a beállítócsavart forgatja.

- ▶ **Ábra46:** 1. 0°-os vágás beállítócsavarja

A 45°-os vágás pontosságának beállításához egy háromszögvonalzó segítségével állítsa a talplemezt 45°-ba a tárcsával úgy, hogy a beállítócsavart forgatja.

- ▶ **Ábra47:** 1. 45°-os vágás beállítócsavarja

3. Húzza meg a szorítócsavarokat, majd végezzen próbavágást.

A termék BIZTONSÁGÁNAK és MEGBÍZHATÓSÁGÁNAK fenntartása érdekében a javításokat és más karbantartásokat vagy beállításokat a Makita hivatalos vagy gyári szervizközpontjában kell elvégezni, mindig csak Makita cserealkatrészeket használva.

OPCIONÁLIS KIEGÉSZÍTŐK

⚠ VIGYÁZAT: Ezen kiegészítőket és tartozékokat javasoljuk a kézikönyvben ismertetett Makita szerszámhoz. Bármilyen más kiegészítő vagy tartozék használata a személyi sérülés kockázatával jár. A kiegészítőt vagy tartozékot csak rendeltetésszerűen használja.

Ha bármilyen segítségre vagy további információra van szüksége ezekkel a tartozékokkal kapcsolatban, keresse fel a helyi Makita Szervizközpontot.

- Körfűrész tárcsa
- Kiegészítő talplemez
- Imbuszkulcs
- Vezetősín
- Ferde megvezető
- Szorító
- Lap
- Gumilap
- Pozicionáló lap
- Vezeték nélküli egység (DSP601 szerszámgéphez)
- Eredeti Makita akkumulátor és töltő

MEGJEGYZÉS: A listán felsorolt néhány kiegészítő megtalálható az eszköz csomagolásában standard kiegészítőként. Ezek országonként eltérőek lehetnek.

TECHNICKÉ ŠPECIFIKÁCIE

Model:		DSP600	DSP601
Priemer čepele		165 mm	
Maximálna hĺbka rezu	pri 0°	56 mm	
	pri skosení 45°	40 mm	
	pri skosení 48°	38 mm	
Otáčky naprázdno		2 500 – 6 300 min ⁻¹	
Celková dĺžka		346 mm	
Menovité napätie		Jednosmerný prúd 36 V	
Akumulátor		BL1815N, BL1820, BL1820B, BL1830, BL1830B, BL1840, BL1840B, BL1850, BL1850B, BL1860B	
Nabíjačka		DC18RC, DC18RD, DC18SD, DC18SE, DC18SF	
Čistá hmotnosť		4,4 – 5,1 kg	

- Vzhľadom k neustálemu výskumu a vývoju podliehajú technické údaje uvedené v tomto dokumente zmenám bez upozornenia.
- Technické špecifikácie a typ akumulátora sa môžu v rámci jednotlivých krajín líšiť.
- Hmotnosť sa môže líšiť v závislosti od nastavcov vrátane akumulátora. Najľahšia a najťažšia kombinácia v súlade s postupom EPTA 01/2014 je uvedená v tabuľke.

Určené použitie

Tento nástroj je určený špeciálne na vykonávanie zárezov zapichovaním. Tento nástroj je určený aj na pozdĺžne a priečne rezanie dreva. Pokiaľ je nástroj vybavený správnou čepeľou kotúčovej píly, nástroj je možné používať na rezanie hliníka, plastu, plastu s obsahom minerálnych látok a iných podobných materiálov.

Hluk

Typická hladina akustického tlaku záťaže A určená podľa štandardu EN62841:

Model DSP600

Úroveň akustického tlaku (L_{pA}): 92 dB (A)
 Úroveň akustického tlaku (L_{WA}): 103 dB (A)
 Odchýlka (K): 3 dB (A)

Model DSP601

Úroveň akustického tlaku (L_{pA}): 92 dB (A)
 Úroveň akustického tlaku (L_{WA}): 103 dB (A)
 Odchýlka (K): 3 dB (A)

VAROVANIE: Používajte ochranu sluchu.

Vibrácie

Celková hodnota vibrácií (trojosový vektorový súčet) určená podľa štandardu EN62841:

Model DSP600

Režim činnosti: rezanie dreva
 Emisie vibrácií ($a_{h,w}$): 2,5 m/s² alebo menej
 Odchýlka (K): 1,5 m/s²

Režim činnosti: rezanie kovu
 Emisie vibrácií ($a_{h,M}$): 2,5 m/s² alebo menej
 Odchýlka (K): 1,5 m/s²

Model DSP601

Režim činnosti: rezanie dreva
 Emisie vibrácií ($a_{h,w}$): 2,5 m/s² alebo menej
 Odchýlka (K): 1,5 m/s²
 Režim činnosti: rezanie kovu
 Emisie vibrácií ($a_{h,M}$): 2,5 m/s² alebo menej
 Odchýlka (K): 1,5 m/s²

POZNÁMKA: Deklarovaná hodnota emisií vibrácií bola meraná podľa štandardnej skúšobnej metódy a môže sa použiť na porovnanie jedného nástroja s druhým.

POZNÁMKA: Deklarovaná hodnota emisií vibrácií sa môže použiť aj na predbežné posúdenie vystavenia ich účinkom.

VAROVANIE: Emisie vibrácií počas skutočného používania elektrického nástroja sa môžu odlišovať od deklarovanej hodnoty emisií vibrácií, a to v závislosti od spôsobov používania náradia.

VAROVANIE: Nezabudnite označiť bezpečnostné opatrenia s cieľom chrániť obsluhu, a to tie, ktoré sa zakladajú na odhade vystavenia účinkom v rámci reálnych podmienok používania (berúc do úvahy všetky súčasti prevádzkového cyklu, ako sú doby, kedy je nástroj vypnutý a kedy beží bez zaťaženia, ako dodatok k dobe zapnutia).

Vyhlasenie o zhode ES

Len pre krajiny Európy

Vyhlasenie o zhode ES sa nachádza v prílohe A tohto návodu na obsluhu.

BEZPEČNOSTNÉ VAROVANIA

Všeobecné bezpečnostné predpisy pre elektrické nástroje

VAROVANIE: Preštudujte si všetky bezpečnostné varovania, pokyny, vyobrazenia a technické špecifikácie určené pre tento elektrický nástroj. Pri nedodržaní všetkých nižšie uvedených pokynov môže dôjsť k úrazu elektrickým prúdom, požiaru alebo vážnemu zraneniu.

Všetky výstrahy a pokyny si odložte pre prípad potreby v budúcnosti.

Pojem „elektrický nástroj“ sa vo výstrahách vzťahuje na elektricky napájané elektrické nástroje (s káblom) alebo batériu napájané elektrické nástroje (bez kábla).

Bezpečnostné varovania pre akumulátorovú kotúčovú pílu

Postupy rezania

- NEBEZPEČENSTVO:** Ruky držte mimo oblasti rezania a čepele. Druhú ruku držte na pomocnej rúčke alebo kryte motora. Ak držíte pílu oboma rukami, neporežete si ich čepeľou.
 - Nesiahajte pod obrobok.** Kryt vás neochráni pred čepeľou pod obrobkom.
 - Hĺbku rezania prispôbte hrúbke obrobku.** Čepeľ by nemala presahovať pod obrobok o viac ako celý zub čepele.
 - Počas rezania nikdy nedržte obrobok rukami ani krížom cez nohu. Zaisťte obrobok k stabilnému povrchu.** Je dôležité obrobok správne podprieť, aby sa minimalizovalo vystavenie tela, riziko zovretia ostria alebo strata kontroly.
- Obr.1
- Ak pri práci hrozí, že by sečné náradie mohlo prísť do kontaktu so skrytým vedením alebo vlastným káblom, držte elektrický nástroj len za izolované povrchy určené na držanie.** Kontakt s vodičom pod napätím môže spôsobiť prenos napätia do nechránených kovových častí elektrického nástroja a ohroziť tak obsluhu zasiahnutím elektrickým prúdom.
 - Pri pozdižnom rezaní vždy používajte vodidlo na pozdižne rezanie alebo vodiaci prvok s rovným okrajom.** Takto vylepšíte presnosť rezu a znížite možnosť zaseknutia čepele.
 - Vždy používajte čepele so správnou veľkosťou a tvarom otvorov na hriadeľ (diamantový alebo okrúhly).** Čepele, ktoré nezodpovedajú spôsobu uchytienia na píle, sa budú pohybovať excentricky a spôsobia stratu kontroly.
 - Nikdy nepoužívajte poškodené alebo nesprávne podložky alebo maticové skrutky na čepeľ.** Podložky alebo maticové skrutky na čepeľ boli špeciálne vyrobené pre vašu pílu na dosiahnutie optimálneho výkonu a bezpečnej prevádzky.

Príčiny spätného nárazu a príslušné varovania

- spätný náraz je náhla reakcia na zovretú, zaseknutú alebo vyosenú čepeľ píly, ktorá spôsobí nekontrolované nadvihnutie a odhodenie píly od obrobku smerom k obsluhujúcej osobe;
- keď sa čepeľ zovrie alebo tesne zablokuje zvierajúcim sa zárezom, čepeľ stratí rýchlosť a reakcia motora rýchlo odrazí jednotku dozadu smerom k obsluhujúcej osobe;
- ak sa čepeľ v reze skrúti alebo vyosí, zuby na zadnom okraji čepele sa môžu zarezat' do horného povrchu dreva a spôsobiť zdvihnutie čepele zo zárezu a dozadu smerom k obsluhujúcej osobe.

Spätný náraz je výsledok nesprávneho používania píly a/alebo nesprávnych prevádzkových postupov alebo podmienok a možno sa mu vyhnúť vykonaním príslušných protipatrení uvedených nižšie.

- Pílu držte pevne oboma rukami a ramená držte tak, aby ste odolali sile spätného nárazu. Postavte sa k čepeľi z boku, nestojte v línii čepele.** Spätný náraz by mohol spôsobiť odskočenie píly dozadu, ale spätý náraz môže obsluhujúca osoba zvládnuť, ak vykoná príslušné protipatrenia.
- Keď sa čepeľ zovrie alebo keď z nejakého dôvodu prerušíte rezanie, uvoľnite spínač a držte pílu bez pohnutia v materiáli, kým sa čepeľ úplne nezastaví. Nikdy nevyberajte pílu zo zárezu ani ju neťahajte dozadu, kým sa čepeľ píly pohybuje, inak môže dôjsť k spätnému nárazu.** Zistite a vykonajte nápravné kroky a eliminujte príčinu zvierania čepele.
- Pri opätovnom spúšťaní píly v obrobku vycentrujte čepeľ píly v záreze a skontrolujte, či zuby píly nie sú vnorené do materiálu.** Ak je čepeľ píly zovretá, môže sa pri opätovnom spustení píly vysunúť zo zárezu alebo odraziť od obrobku.
- Veľké panely podoprite, aby sa minimalizovalo riziko zovretia alebo spätného nárazu čepele.** Veľké panely sa môžu prehýbať pod vlastnou váhou. Podpery treba umiestniť pod panel na oboch stranách do blízkosti línie rezu a do blízkosti okraja panela.

► Obr.2

► Obr.3

- Nepoužívajte tupé alebo poškodené čepele.** Nenaostrené alebo nesprávne pripravené čepele vytvárajú úzky zárez, čo spôsobuje nadmerné trenie, zovretie čepele a spätý náraz.
- Zaisťovacie páčky nastavenia hĺbky a skosenia čepele musia byť pred rezaním utiahnuté a zaisťené.** Pohyb nastavenia čepele počas rezania môže viesť k zovretiu a spätnému nárazu.
- Pri reze do existujúcich stien alebo iných zakrytých plôch venujte práci maximálnu pozornosť.** Prenikajúca čepeľ môže prerzať predmety s dôsledkom spätného nárazu.
- Vždy držte nástroj pevne oboma rukami. NIKDY nedávajte ruku, nohu či ľubovoľnú časť tela pod základňu nástroja alebo za pílu, najmä pri vykonávaní priečnych rezov.** Ak dôjde k spätnému nárazu, píla by mohla ľahko odskočiť dozadu na vašu ruku, čo by mohlo spôsobiť vážne poranenie.

► Obr.4

9. Nikdy pílu nepritláčajte nasilu. Pílu tlačte dopredu takou rýchlosťou, aby ostré rezalo bez spomalenia. Prítlačaním píly vznikne nerovnomerný rez, zníži sa presnosť a hrozí možný spätný náraz.

Funkcia krytu

1. Pred každým použitím skontrolujte, či sa kryt správne uzavrel. Nepoužívajte pílu, ak sa kryt nepohybuje voľne a ihneď neuzatvára čepel. Nikdy neupínajte ani neupevňujte kryt tak, aby bola čepel odokrytá. Ak vám píla náhodou spadne, kryt sa môže ohnúť. Skontrolujte, či sa kryt pohybuje voľne a nedotýka sa čepela ani žiadnej inej časti pri všetkých rezných uhloch a hĺbkach.
2. Skontrolujte funkčnosť a stav vratnej pružiny krytu. Ak kryt a pružina nefungujú správne, pred použitím ich treba opraviť. Kryt sa môže pohybovať pomaly, keď má poškodené časti, je zalepený nahromadenými zvyškami alebo náosmi.
3. Zabezpečte, aby sa základná doska píly nezdvihla pri vykonávaní „zaťažovacieho rezu“. Bočné posuvy čepela spôsobia zovretie a pravdepodobne spätný náraz.
4. Skôr, než pílu položíte na stôl alebo dlážku, vždy skontrolujte, či kryt zakrýva čepel. Nechránená čepel v pohybe spôsobí spätný pohyb píly, pričom prereže všetko, čo jej bude stáť v ceste. Majte na pamäti, že čepeli trvá istý čas, kým sa po uvoľnení spínača zastaví.

Doplňujúce bezpečnostné varovania

1. Pri rezaní vlhkého dreva, tlakom upraveného stavebného dreva alebo dreva obsahujúceho hrče postupujte mimoriadne opatrne. Zachovávajte plynulý posuv nástroja bez znižovania rýchlosti čepela, aby ste predišli prehrievaniu hrotov čepela a aby ste pri rezaní plastov zabránili ich taveniu.
2. Nepokúšajte sa odstraňovať rezaný materiál, kým sa čepel pohybuje. Než uchopíte odrezaný materiál, počkajte, kým sa čepel zastaví. Čepel sa po vypnutí zastavuje postupne.
3. Nerežte klinec. Pred rezaním skontrolujte, či na stavebnom dreve nie sú klinec, a v prípade potreby ich odstráňte.
4. Širšiu časť základne píly položte na tú časť obrobku, ktorá je pevne podporená, nie na časť, ktorá odpadne po vykonaní rezu. Ak je obrobok krátky alebo malý, upnite ho svorkou. **KRÁTKE KUSY NIKDY NEDRŽTE V RUKU!**

► Obr.5

5. Pred odtiahnutím nástroja po vykonaní rezu vždy počkajte, kým sa dolný kryt zatvorí a čepel sa úplne zastaví.
6. Nikdy sa nesnažte píliť s kotúčovou pílou uchytenou vo zveráku spodnou časťou nahor. Takýto postup je extrémne nebezpečný a môže spôsobiť závažné nehody.

► Obr.6

7. Niektoré materiály obsahujú chemikálie, ktoré môžu byť jedovaté. Dávajte pozor, aby ste ich nevdychovali ani sa ich nedotýkali. Prečítajte si bezpečnostné informácie dodávateľa materiálu.
8. Čepela nezastavujte bočným tlakom na čepel píly.
9. Nepoužívajte žiadne brúsne kotúče.

10. Používajte čepel píly len s takým priemerom, aký je vyznačený na nástroji alebo aký je uvedený v návode. Používanie čepela nesprávnej veľkosti môže negatívne ovplyvniť správnu ochranu čepela alebo činnosť krytu, v dôsledku čoho hrozí zranenie osôb.
11. Čepel udržiavajte ostrú a čistú. Guma a živica zatvrdnuté na čepeli spomaľujú pílu a zvyšujú riziko spätného nárazu. Čepel udržiavajte čistú – vyberte ju z nástroja a potom ju vyčistite látkou na odstránenie gummy a živice, okrem vodou alebo petrolejom. Nikdy nepoužívajte benzín.
12. Pri práci s nástrojom používajte protiprachovú masku a ochranu sluchu.
13. Vždy používajte čepel píly určenú na rezanie materiálu, ktorý idete rezať.
14. Používajte len čepela píly s vyznačenou maximálnou rýchlosťou, ktorá sa rovná alebo je vyššia ako rýchlosť vyznačená na nástroji.
15. Len pre krajiny Európy Vždy používajte čepel, ktorá zodpovedá norme EN847-1.

TIETO POKYNY USCHOVAJTE.

VAROVANIE: NIKDY nepripustíte, aby seba-vedomie a dobrá znalosť výrobku (získané opakovaným používaním) nahradili presné dodržiavanie bezpečnostných pravidiel pri používaní náradia. **NESPRÁVNE POUŽÍVANIE** alebo nedodržovanie bezpečnostných zásad uvedených v tomto návode môže viesť k vážnemu zraneniu.

Dôležité bezpečnostné a prevádzkové pokyny pre akumulátor

1. Pred použitím akumulátora si prečítajte všetky pokyny a výstavné označenia na (1) nabíjačke akumulátorov, (2) akumulátore a (3) produkte používajúcom akumulátor.
2. Akumulátor nerozoberajte.
3. Ak sa doba prevádzky príliš skráti, ihneď prerušte prácu. Môže nastať riziko prehriatia, možných popálením či dokonca explózie.
4. V prípade zasiahnutia očí elektrolytom ich vypláchnite čistou vodou a okamžite vyhľadajte lekársku pomoc. Môže dôjsť k strate zraku.
5. Akumulátor neskratujte:
 - (1) Nedotýkajte sa konektorov žiadnym vodivým materiálom.
 - (2) Neskladujte akumulátor v obale s inými kovovými predmetmi, napríklad klíncami, mincami a pod.
 - (3) Akumulátor nevystavujte vode ani dažďu. Skrat akumulátora môže spôsobiť veľký tok prúdu, prehriate, možné popáleniny či dokonca poruchu.
6. Neskladujte nástroj ani akumulátor na miestach s teplotou presahujúcou 50 °C (122 °F).
7. Akumulátor nespálujte, ani keď je vážne poškodený alebo úplne opotrebovaný. Akumulátor môže v ohni explodovať.
8. Dávajte pozor, aby akumulátor nespadol, a nevystavujte ho nárazom.

9. **Nepoužívajte poškodený akumulátor.**
10. **Lítium-iónové akumulátory, ktoré sú súčasťou náradia, podliehajú požiadavkám legislatívy o nebezpečnom tovare.**
V prípade obchodnej prepravy, napr. dodanie tretími stranami či špeditériami, sa musia dodržiavať špeciálne požiadavky na zabalenie a označenie. Pred prípravou položky na odoslanie sa vyžaduje konzultácia s odborníkom na nebezpečný materiál. Taktiež treba dodržiavať potenciálne podrobnejšie predpisy príslušnej krajiny. Prelepte alebo zakryte otvorené kontakty a zabalte akumulátor tak, aby sa v balíku nemohol voľne pohybovať.
11. **Akumulátor zlikvidujte v súlade s miestnymi nariadeniami.**
12. **Akumulátory používajte iba s výrobkami uvedenými spoločnosťou Makita.** Inštalácia akumulátorov do nevyhovujúcich výrobkov môže spôsobiť požiar, nadmerné teplo, výbuch alebo únik elektrolytov.
7. **Bezdrôtovú jednotku nepoužívajte na miestach, kde sa nachádzajú automatizované zariadenia.** V opačnom prípade sa v automatizovaných zariadeniach môže vyskytnúť porucha alebo chyba.
8. **Bezdrôtová jednotka môže vytvárať elektromagnetické polia (EMF), ktoré však nie sú pre používateľa škodlivé.**
9. **Bezdrôtová jednotka je presné zariadenie. Bezdrôtovú jednotku chráňte pred pádom a nevystavujte ju nárazom.**
10. **Koncovky bezdrôtovej jednotky sa nedotýkajte holými rukami ani kovovými materiálmi.**
11. **Pred inštaláciou bezdrôtovej jednotky vždy vyberte akumulátor.**
12. **Pri otváraní krytu zásuvky sa vyhýbajte miestam, kde by do zásuvky mohol preniknúť prach alebo voda. Vstupný otvor zásuvky musí byť vždy čistý.**
13. **Bezdrôtovú jednotku vždy vkladajte v správnom smere.**
14. **Spúšťačie tlačidlo bezdrôtovej prevádzky na bezdrôtovej jednotke nestláčajte príliš silno, ani ho nestláčajte žiadnym predmetom s ostrou hranou.**
15. **Pred prevádzkou vždy uzavrite kryt zásuvky.**
16. **Bezdrôtovú jednotku nevyberajte zo zásuvky, kým prebieha napájanie nástroja.** Ignorovanie tohto pokynu môže zapríčiniť poruchu bezdrôtovej jednotky.
17. **Z bezdrôtovej jednotky neodstraňujte nálepku.**
18. **Na bezdrôtovú jednotku nelepte žiadne nálepky.**
19. **Bezdrôtovú jednotku nenechávajte na mieste, kde dochádza k vytváraniu statickej elektriny alebo elektrického šumu.**
20. **Bezdrôtovú jednotku nevystavujte vysokým teplotám, nenechávajte ju napríklad v aute stojacom na slnku.**
21. **Bezdrôtovú jednotku nenechávajte na prašnom mieste ani na mieste, kde by mohlo dôjsť k vytváraniu korozívneho plynu.**
22. **V dôsledku náhlej zmeny teploty sa bezdrôtová jednotka môže zarosiť.** Bezdrôtovú jednotku nepoužívajte, kým nedôjde k úplnému vyschnutiu takéhoto zarosenia.
23. **Pri čistení bezdrôtovú jednotku jemne utrite suchou mäkkou handričkou.** Nepoužívajte benzín, riedidlo, vodivé mazivo ani iné podobné prípravky.
24. **Bezdrôtovú jednotku uložte v dodávanom puzdre alebo nádobe, v ktorej nedochádza k vytváraniu statického elektrického náboja.**
25. **Do zásuvky nástroja nekladajte žiadne iné zariadenia okrem bezdrôtovej jednotky Matika.**
26. **Nástroj nepoužívajte, ak je kryt bezdrôtovej jednotky poškodený.** V prípade, že do zásuvky prenikne voda, prach alebo nečistoty, môže dôjsť k poruche.
27. **Kryt zásuvky neťahajte ani neskrúčajte viac, než je nutné.** V prípade, že sa kryt oddelí od nástroja, vráťte ho na miesto.
28. **V prípade straty alebo poškodenia kryt vymeňte.**

TIETO POKYNY USCHOVAJTE.

⚠ POZOR: Používajte len originálne akumulátory od spoločnosti Makita. Používanie batérií, ktoré nie sú od spoločnosti Makita, alebo upravených batérií môže spôsobiť výbuch batérie a následný požiar, zranenie osôb alebo poškodeniu majetku. Následkom bude aj zrušenie záruky od spoločnosti Makita na nástroj a nabíjačku od spoločnosti Makita.

Rady na udržanie maximálnej životnosti akumulátora

1. **Akumulátor nabíjajte ešte predtým, ako sa úplne vybije.** Vždy prerušte prácu s nástrojom a nabíjajte akumulátor, keď' spozorujete nižší výkon nástroja.
2. **Nikdy nenabíjajte plne nabitý akumulátor.** Prebíjanie skracuje životnosť akumulátora.
3. **Akumulátor nabíjajte pri izbovej teplote 10 °C – 40 °C (50 °F – 104 °F).** Pred nabíjaním nechajte horúci akumulátor vychladnúť.
4. **Lítium-iónový akumulátor nabíjajte, ak ste ho nepoužívali dlhšie ako šesť mesiacov.**

Dôležité bezpečnostné pokyny pre bezdrôtovú jednotku

1. **Bezdrôtovú jednotku nerozoberajte ani s ňou neodborne nemanipulujte.**
2. **Bezdrôtovú jednotku držte mimo dosahu malých detí.** V prípade jej náhodného prehltnutia okamžite vyhľadajte lekársku pomoc.
3. **Bezdrôtovú jednotku používajte len spolu s náradím Matika.**
4. **Bezdrôtovú jednotku nevystavujte účinkom dažďa ani iného vlhkého prostredia.**
5. **Bezdrôtovú jednotku nepoužívajte na miestach, kde teplota prekračuje 50 °C.**
6. **Bezdrôtovú jednotku nepoužívajte na miestach, kde sa nachádzajú zdravotnícke prístroje, akými sú napríklad kardiostimulátor.**

TIETO POKYNY USCHOVAJTE.

OPIS FUNKCIÍ

⚠️ POZOR: Pred úpravou alebo kontrolou funkčnosti nástroja vždy skontrolujte, či je nástroj vypnutý a akumulátor je vybratý.

Inštalácia alebo demontáž akumulátora

⚠️ POZOR: Pred inštaláciou alebo vybratím akumulátora nástroj vždy vypnite.

⚠️ POZOR: Pri inštalovaní a vyberaní akumulátora pevne uchopíte nástroj a akumulátor. Ak nástroj a akumulátor pevne neuchopíte, môže to mať za následok vyšmyknutie z vašich rúk s dôsledkom poškodenia nástroja a akumulátora, ako aj osobných poranení.

► Obr.7: 1. Červený indikátor 2. Tlačidlo 3. Akumulátor

Ak chcete vybrať akumulátor, vysuňte ho z nástroja, pričom posuňte tlačidlo na prednej strane akumulátora.

Akumulátor vložíte tak, že jazýček akumulátora zarovnáte s drážkou v kryte a zasuniete ho na miesto. Zatlačte ho úplne, kým zakliknutím nezapadne na miesto. Ak vidíte červený indikátor na hornej strane tlačidla, nie je správne zapadnutý.

⚠️ POZOR: Akumulátor vždy nainštalujte úplne, až kým nie je vidieť červený indikátor. V opačnom prípade môže náhodne vypadnúť z nástroja a ublížiť vám alebo osobám v okolí.

⚠️ POZOR: Pri inštalovaní akumulátora nepoužívajte silu. Ak sa akumulátor nedá zasunúť ľahko, nevkladáte ho správne.

POZNÁMKA: Nástroj nefunguje len s jedným akumulátorom.

System na ochranu nástroja/akumulátora


Nástroj je vybavený systémom ochrany nástroja/akumulátora. Tento systém automaticky vypne napájanie motora s cieľom predĺžiť životnosť nástroja a akumulátora. Nástroj sa počas prevádzky automaticky zastaví v prípade, ak sa nástroj alebo akumulátor dostanú do jedného z nasledovných stavov. V niektorých stavoch sa rozsvietia indikátory.

Ochrana proti preťaženiu

Keď sa zariadenie používa spôsobom, ktorý spôsobuje odber neštandardne vysokého prúdu, zariadenie sa automaticky vypne. V tejto situácii vypnite nástroj a ukončíte prácu, ktorá spôsobuje jeho preťažovanie. Potom zariadenie znova zapnutím spustíte.

Ochrana pred prehrievaním

Keď je nástroj prehriaty, nástroj sa automaticky zastaví a indikátor akumulátora začne blikať približne na 60 sekúnd. V tejto situácii nechajte nástroj pred jeho opätovným spustením vychladnúť.

■ svieti	▣ Bliká
	





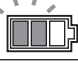


Ochrana pred nadmerným vybitím

Keď sa kapacita akumulátora zníži, nástroj sa automaticky zastaví. Ak produkt nebude fungovať ani po použití vypínača, z nástroja vyberte akumulátory a nabite ich.

Indikácia zvyšnej kapacity akumulátora

► Obr.8: 1. Indikátor akumulátora (pre horný akumulátor) 2. Tlačidlo kontroly 3. Indikátor akumulátora (pre dolný akumulátor)

Stlačením tlačidla kontroly zobrazíte zostávajúcu kapacitu akumulátora. Indikátory akumulátora zodpovedajú každému akumulátoru.











Stav indikátora akumulátora			Zostávajúca kapacita akumulátora
 Svieti	 Nesvieti	 Bliká	
			50 % až 100 %
			20 % až 50 %
			0 % až 20 %
			Akumulátor nabite

Indikácia zvyšnej kapacity akumulátora

Len na akumulátory s indikátorom

► Obr.9: 1. Indikátory 2. Tlačidlo kontroly

Stlačením tlačidla kontroly na akumulátore zobrazíte zostávajúcu kapacitu akumulátora. Indikátory sa na niekoľko sekúnd rozsvietia.

Indikátory			Zostávajúca kapacita
 Svieti	 Nesvieti	 Bliká	
			75 % až 100 %
			50 % až 75 %
			25 % až 50 %
			0 % až 25 %
			Akumulátor nabite.
 			Akumulátor je možno chybný.

POZNÁMKA: V závislosti od podmienok používania a v závislosti od okolitej teploty sa môže zobrazenie mierne odlišovať od skutočnej kapacity.

Funkcia automatickej zmeny otáčok

POZNÁMKA: Funkcia automatickej zmeny otáčok je k dispozícii len v prípade, že je ovládač na nastavenie otáčok v polohe číslo 5.

Tento nástroj je vybavený „režimom vysokých otáčok“ a „režimom vysokého krútiaceho momentu“.

V závislosti od pracovného zaťaženia zariadenie automaticky zmení prevádzkový režim. Keď je pracovné zaťaženie nízke, zariadenie bude pracovať v režime vysokých otáčok, aby sa zrýchlil priebeh pílenia. Keď je pracovné zaťaženie vysoké, zariadenie bude pracovať v režime vysokého krútiaceho momentu na zaistenie vysokého výkonu pílenia.

► **Obr.10:** 1. Indikátor režimu

Indikátor režimu sa rozsvieti nazeleno, keď zariadenie pracuje v režime vysokého krútiaceho momentu.

Ak sa zariadenie používa pri nadmernom zaťažení, indikátor režimu bude blikať nazeleno. Ak znížite zaťaženie zariadenia, indikátor režimu prestane blikať a potom sa rozsvieti alebo vypne.

Stav indikátora režimu			Prevádzkový režim
● Svieti	○ Nesvieti	● Bliká	
			Režim vysokých otáčok
			Režim vysokého krútiaceho momentu
			Výstraha pred preťaženým

Nastavenie hĺbky rezu

▲ POZOR: Po nastavení hĺbky rezu vždy bezpečne dotiahnite upínaciu skrutku.

Uvoľnite upínaciu skrutku na pravítku hĺbky a posuňte dolný doraz kotúča na požadovanú hĺbku na tabuli meradla. Pri požadovanej hĺbke rezu dotiahnite pevne upínaciu skrutku. Čistejšie a bezpečnejšie rezy dosiahnete nastavením hĺbky rezu, pri ktorej pod obrobkom prečnieva len jeden zub čepele. Používanie správnej hĺbky rezu pomáha znížiť výskyt prípadných nebezpečných SPÁTNYCH NÁRAZOV, ktoré môžu spôsobiť zranenie osôb.

► **Obr.11:** 1. Dolný doraz kotúča 2. Upínacia skrutka

Tlačidlo rýchleho zastavenia na hĺbku rezu 2 – 3 mm pri použití vodiacej lišty (voliteľné príslušenstvo)

Tento nástroj má na kryte prevodu vedľa zadnej rukoväte tlačidlo rýchleho zastavenia na hĺbku rezu 2 – 3 mm pri použití vodiacej lišty. Používa sa na zabránenie vniknutia úloмку na obrobku do rezu. Spravte prvý rez 2 – 3 mm a potom druhý zvyčajný rez.

► **Obr.12:** 1. Tlačidlo rýchleho zastavenia

Rez s hĺbkou 2 – 3 mm dosiahnete tlačením tlačidla rýchleho zastavenia smerom k čepeľi píly. Tým sa vyhnete úlomkom na obrobku.

Ak chcete uvoľniť hĺbku rezu z tejto polohy na rez s požadovanou hĺbkou, jednoducho potiahnite tlačidlo späť.

Skosené rezanie

Upínacie skrutky uvoľnite. Správnym naklonením nastavte do požadovaného uhla a potom upínacie skrutky dôkladne utiahnite.

► **Obr.13:** 1. Upínacia skrutka 2. Platňa miery skosenia

► **Obr.14:** 1. Podložka (Voliteľné príslušenstvo)
2. Upínacia skrutka

Positívny doraz

Positívny doraz je praktický na rýchle nastavenie požadovaného uhla. Otočte pozitívny doraz tak, aby jeho šípka smerovala na polohu 22,5°. Uvoľnite upínacie skrutky vpred a vzadu. Potom nakloňte čepeľ, až kým nezastane a podložku zaistíte upínacími skrutkami.

► **Obr.15:** 1. Pozitívny doraz 2. Upínacia skrutka

48° – skosené rezanie

Ak chcete vykonávať skosené rezanie pri uhle 48°, uvoľnite upínacie skrutky a posuňte páčku úplne v smere šípky tak, ako je zobrazené na obrázku. Potom nastavte uhol skoseného rezania na 48° a utiahnite upínacie skrutky.

► **Obr.16:** 1. Páčka

-1° – skosené rezanie

Ak chcete vykonávať skosené rezanie pri uhle -1°, uvoľnite upínacie skrutky a posuňte páčku v smere šípky tak, ako je zobrazené na obrázku. Potom nastavte uhol skoseného rezania na -1° a utiahnite upínacie skrutky.

► **Obr.17:** 1. Páčka

Nastavenie polohy

► **Obr.18:** 1. Stôl

Čiara rezu sa líši v závislosti od uhla rezu a použitia vodiacej lišty (voliteľné príslušenstvo).

Použitie nástroja bez vodiacej lišty

Priame rezy dosiahnete vyrovnaním polohy A na prednej strane základne s líniou rezu. Skosený rez pod uhlom 45° dosiahnete vyrovnaním s polohou B.

Použitie nástroja s vodiacou lištou

Priame rezy a skosené rezy pri uhle 45° dosiahnete vyrovnaním polohy A na prednej strane základne s líniou rezu.

Zapínanie

▲ VAROVANIE: Pred vložení akumulátora do nástroja sa vždy presvedčte, či spúšťači spínač funguje správne a po uvoľnení sa vráti do pozície „OFF“.

▲ VAROVANIE: NIKDY neobchádzajte použitie tlačidla odomknutia jeho prilepením v stlačenej polohe alebo inými prostriedkami. Spínač s vyradeným tlačidlom odomknutia môže spôsobiť náhodné spustenie s dôsledkom vážnych osobných poranení.

▲ VAROVANIE: NIKDY nepoužívajte nástroj, ak sa spustí pri stlačení len spúšťačieho spínača bez stlačenia tlačidla odomknutia. Vypínač, ktorý potrebuje opravu, môže spôsobiť náhodné spustenie a vážne osobné poranenie. PRED ďalším použitím vráťte nástroj do servisného centra Makita, kde ho dôkladne opravia.

Nástroj je vybavený tlačidlom odomknutia, aby nedochádzalo k náhodnému stlačeniu spúšťacieho spínača. Ak chcete spustiť nástroj, stlačte tlačidlo odomknutia a potiahnite spúšťací spínač. Nástroj zastavíte uvoľnením spúšťacieho spínača.

► **Obr.19:** 1. Spúšťací spínač 2. Tlačidlo odomknutia

UPOZORNENIE: Spúšťací spínač silno nestláčajte bez stlačenia tlačidla odomknutia. Môže to spôsobiť zlomenie spínača.

Nastavovací regulátor rýchlosti

Otáčky nástroja možno nastaviť otáčaním otočného ovládača. Rýchlosť otáčania čepele sa zvýši, keď zvýšite číslo na nastavovacom regulátore rýchlosti.

► **Obr.20:** 1. Nastavovací regulátor rýchlosti

Pozrite si tabuľku a vyberte si vhodné otáčky pre obrobok, ktorý chcete rezať. Vhodné otáčky sa však môžu líšiť v závislosti od typu a hrúbky obrobku. Vo všeobecnosti vám vyššie otáčky umožnia rezať obrobky rýchlejšie, ale životnosť čepele sa tým zníži.

Číslo	Rýchlosť otáčania čepele za minútu (min ⁻¹)
1	2 500 min ⁻¹
2	2 900 min ⁻¹
3	3 900 min ⁻¹
4	4 900 min ⁻¹
5	6 300 min ⁻¹

▲POZOR: Číselník nastavenia rýchlosti nie je určená na použitie nízkorychlostných pilových kotúčov, ale na dosiahnutie rýchlosti, ktorá je vhodná vzhľadom na materiál obrobku. Používajte len čepele, ktoré sú určené aspoň na maximálne otáčky bez zaťaženia uvedené v časti TECHNICKÉ ÚDAJE.

UPOZORNENIE: Nastavovací regulátor rýchlosti je možné otočiť len do polohy 5 a potom naspäť do polohy 1. Nepokúšajte sa prejsť za polohu 5 alebo za polohu 1, pretože otočný ovládač otáčok pravdepodobne už nebude fungovať.

Elektronické funkcie

Nástroje vybavené elektronikou sa ľahko používajú vďaka nasledovným funkciám.

Ochrana proti preťaženiu

Keď je nástroj preťažený a tok prúdu je nad určitou hranicou, kvôli ochrane motora sa automaticky vypne.

Regulácia konštantných otáčok

Elektronická regulácia otáčok na dosiahnutie konštantných otáčok. Vhodné na dosiahnutie hladkého povrchu, pretože otáčky zostávajú konštantné aj v prípade zaťaženia.

Funkcia hladkého štartu

Nástroj sa plynule spustí, pretože je potlačený spúšťací náraz.

ZOSTAVENIE

▲POZOR: Pred vykonaním akejkoľvek práce na nástroji vždy skontrolujte, či je nástroj vypnutý a akumulátor je vybrať.

Uskladnenie šesťhranného kľúča

Keď šesťhranný kľúč nepoužívate, odložte ho podľa znázornenia na obrázku, aby sa neustratil.

► **Obr.21:** 1. Šesťhranný kľúč

Demontáž alebo montáž čepele kotúčovej píly

▲POZOR: Uistite sa, že je čepeľ kotúčovej píly vložená tak, aby zuby smerovali k prednej časti nástroja.

▲POZOR: Na vloženie alebo vybratie čepele kotúčovej píly používajte výhradne kľúč spoločnosti Makita.

Demontáž čepele kotúčovej píly:

1. Stlačte tlačidlo odomknutia a mierne sklopte rukoväť. Otočte páčku uzamknutia a sklopte rukoväť tak, aby poistný kolík zapadol do otvoru.

► **Obr.22:** 1. Tlačidlo odomknutia 2. Poistná páčka 3. Poistný kolík 4. Otvor na poistný kolík

2. Stlačte poistku hriadeľa úplne tak, aby sa kotúč nemohol otáčať a prislúchajúcim kľúčom uvoľnite skrutku so šesťhrannou hlavou.

► **Obr.23:** 1. Poistka hriadeľa 2. Šesťhranný imbusový kľúč 3. Utiahnúť 4. Uvoľniť

3. Odstráňte šesťhrannú maticovú skrutku, vonkajšiu obrubu a čepeľ kotúčovej píly.

► **Obr.24:** 1. Skrutka so šesťhrannou hlavou 2. Vonkajšia príruha 3. Vnútna príruha 4. Čepeľ kotúčovej píly

▲VAROVANIE: Pri demontovaní vnútornej príruby ju nezabudnite nainštalovať na hriadeľ. Pri montáži vyberte správnu stranu, na ktorej výčnelok dobre zapadne do otvoru na čepeli píly. Namontovanie čepele na nesprávnu stranu môže mať za následok nebezpečné vibrácie.

Pri montáži čepele kotúčovej píly vykonajte kroky demontáže v opačnom poradí. Stlačte tlačidlo odomknutia a uvoľnite poistný kolík z otvoru.

▲VAROVANIE: UISTI TE SA, ŽE JE SKRUTKA SO ŠEŠŤHRANNOU HLAVOU BEZPEČNE DOTIAHNUTÁ. Skrutku nedotahujte nadmernou silou. Zošmyknutie ruky zo šesťhranného kľúča môže spôsobiť zranenie.

Čistenie chrániča čepele

Pri výmene čepele kotúčovej píly je potrebné vyčistiť aj kryt čepele od nahromadených pilín, ako sa uvádza v časti o údržbe. Okrem toho je potrebné pred každým použitím skontrolovať funkčnosť krytu.

Pripojenie vysávača

Voliteľné príslušenstvo

Ak chcete rezať čisto bez prachu, k náradiu pripojte vysávač Makita. Pomocou prednej manžety 24 pripojte k prachovej hubici hadicu vysávača.

- **Obr.25:** 1. Hadica vysávača 2. Predná manžeta 24
3. Prachová hubica

PREVÁDZKA

▲POZOR: Nástroj pomaly posúvajte vpred v rovnjej línii. Tlačeníím alebo krútením nástroja sa prehreje motor a dôjde k nebezpečným spätným nárazom, ktoré môžu spôsobiť vážne zranenie.

▲POZOR: Pri priamom pílení, predovšetkým na začiatku, dbajte, aby ste sa žiadnou časťou tela nedostali pod základňu nástroja. Inak by ste sa mohli vážne zranit'. Čepel presahuje pod základňu nástroja.

POZNÁMKA: Pokiaľ je teplota akumulátora nízka, náradie nemusí pracovať na plný výkon. Vtedy náradie na nejaký čas používajte napríklad na rezanie s nízkym zaťažením, až kým sa akumulátor nezohreje na izbovú teplotu. Následne bude náradie fungovať na plný výkon.

Priame pílenie (normálne pílenie)

► Obr.26

Náradie držte pevne. Na nástroji je predné držadlo a zadná rukoვაť. Nástroj sa drží najlepšie za obidve držadlá. Ak pílu držíte obidvoma rukami, nemôžete si ich porezať. Položte základňu na obrobok, aby pri rezaní čepel kotúčovej píly o nič nezavadila. Potom stlačte tlačidlo odomknutia a potiahnite spúšťací spínač. Počkajte, kým čepel kotúčovej píly nedosiahne maximálne otáčky. Teraz pomaly zatlačte hlavu píly a predvoľte hĺbku rezu a nástroj len posúvajte vpred po povrchu obrobku, postupujte plynulo až do skončenia pílenia.

Čistý rez dosiahnete, keď bude línia rezu priama a rýchlosť rezu stabilná. Ak sa rez odchyľuje od vašej predpokladanej línie rezu, nesaňte sa otáčať alebo tlačiť náradie naspäť do línie rezu. Čepel kotúčovej píly sa môže zadrieť, zapríčiniť nebezpečný spätný náraz a prípadné vážne zranenie. Uvoľnite spínač, počkajte, kým sa čepel zastaví a potom odtiahnite náradie. Znova nasmerujte nástroj na novú líniu rezu a začnite rezať. Snažte sa vyhnúť polohám, v ktorých bude obsluha vystavená trieskam a pilinám odlietajúcim od píly. Používajte ochranu očí, aby ste predišli zraneniu.

Vodiaca lišta

Voliteľné príslušenstvo

Nástroj umiestnite na zadnú stranu vodiacej lišty. Otočte dve nastavovacie skrutky na základni nástroja tak, aby sa nástroj posúval plynulo bez zadrhávania. Prednú rukoვაť a zadnú rukoვაť nástroja pevne držte oboma rukami. Zapnite nástroj, zatlačte ho na predvoľenú hĺbku rezu a ťahom pozdĺžne režeť po celej dĺžke krytu proti trieskam. Okraj krytu proti trieskam sa zhoduje s reznou hranou.

- **Obr.27:** 1. Nastavovacie skrutky

Pri skosenom rezaní s vodiacou lištou použite posúvaciu páku, aby sa zabránilo prevráteniu nástroja.

Posúvaciu páku na základni nástroja posuňte v smere šípky tak, aby sa spojila s drážkou výrezu vodiacej lišty.

- **Obr.28:** 1. Posúvací páka

Podložka (vodiace pravítko)

Voliteľné príslušenstvo

Použitím podložky ako vodiaceho pravítka môžete robiť výnimočne presné priame rezy. Uvoľnite upínacie skrutky, vysuňte podložku z nástroja a potom ju vložte naopak.

- **Obr.29:** 1. Upínacia skrutka 2. Podložka

Jednoducho posuňte vozidlo podložky tesne k strane obrobku a upínacími skrutkami ho zaisťte v správnej polohe. Pomocou vodiča je tiež možné urobiť opakované rezy s jednotnou šírkou.

- **Obr.30:** 1. Upínacia skrutka 2. Podložka

Zapichovacie rezanie (vyrezávanie)

▲VAROVANIE: Dodržiavajte nasledujúce inštrukcie, aby ste sa vyhlí nárazom.

- **Obr.31:** 1. Zadná strana podložky nástroja 2. Pevný doraz

Ak používate nástroj bez vodiacej lišty, umiestnite ho na obrobok tak, aby bola zadná strana základne nástroja proti pevnej narážke alebo jej ekvivalentu pripravenému obsluhu.

Ak používate nástroj s vodiacou lištou, umiestnite ho na vodiacu lištu tak, aby bola zadná strana základne nástroja proti pevnej narážke alebo jej ekvivalentu, ktorý je pripevnený na vodiacu lištu.

Nástroj držte pevne obidvomi rukami za prednú a zadnú rukoვაť. Potom zatlačte tlačidlo odomknutia a zapnite nástroj a počkajte, kým čepel nedosiahne plné otáčky. Teraz pomaly zatlačte nadol hlavu píly, aby ste nastavili hĺbku rezu a len posúvajte nástroj vpred do požadovanej polohy zapichovania.

POZNÁMKA: Značky na strane chrániča čepele ukazujú predné a zadné polohy rezania čepele píly pri maximálnej hĺbke rezu za použitia vodiacej lišty.

- **Obr.32:** 1. Predný bod rezu 2. Zadný bod rezu

Vodiace zariadenie

Voliteľné príslušenstvo

Použitie vodiaceho prvku skosenia umožňuje presné zrezávacie rezy v uhloch a vhodných úpravách. Použitie upínacej skrutky zabezpečí pevné uchytenie obrobku na stole.

FUNKCIA BEZDRÔTOVÉHO SPÚŠŤANIA

Len pre model DSP601

Využitie funkcie bezdrôtového spúšťania

Funkcia bezdrôtového spúšťania umožňuje vykonávať čistú a pohodlnú prevádzku. Pripojením podporovaného vysávača k nástroju môžete vysávač prevádzkovať automaticky spolu s aktiváciou spínača nástroja.

► Obr.33

Na používanie funkcie bezdrôtového spúšťania si priprave nasledujúce položky:

- bezdrôtovú jednotku (voliteľné príslušenstvo),
- vysávač s podporou funkcie bezdrôtového spúšťania.

Nasleduje prehľad nastavení funkcie bezdrôtového spúšťania. V každej kapitole nájdete podrobný postup.

1. Inštalácia bezdrôtovej jednotky
2. Registrácia nástroja v systéme vysávača
3. Spustenie funkcie bezdrôtového spúšťania

Inštalácia bezdrôtovej jednotky

Voliteľné príslušenstvo

▲ POZOR: Pri inštalácii bezdrôtovej jednotky umiestnite nástroj na rovný a pevný podklad.

UPOZORNENIE: Pred inštaláciou bezdrôtovej jednotky očistite prach a nečistoty z nástroja.

Prach a nečistoty môžu spôsobiť poruchu, keď preniknú do zásuvky bezdrôtovej jednotky.

UPOZORNENIE: Pred uchopením bezdrôtovej jednotky sa dotknite materiálu spôsobujúceho uvoľnenie statického náboja, napríklad kovovej časti nástroja, aby ste zabránili poruche v dôsledku statickej elektriny.

UPOZORNENIE: Pri inštalácii bezdrôtovej jednotky sa vždy presvedčte, či je bezdrôtová jednotka vložená v správnom smere a kryt sa úplne zavrel.

1. Kryt na nástroji otvorte podľa znázornenia na obrázku.
- Obr.34: 1. Kryt

2. Do zásuvky vložte bezdrôtovú jednotku a potom kryt zatvorte.

Pri vkladaní bezdrôtovej jednotky zarovnajte výčnelky s lôžkami zásuvky.

- Obr.35: 1. Bezdrôtová jednotka 2. Výčnelok 3. Kryt 4. Lôžko

Pri vyberaní bezdrôtovej jednotky pomaly otvorte kryt. Háčiky na zadnej strane krytu nadvihnú bezdrôtovú jednotku pri ťahaní za kryt.

- Obr.36: 1. Bezdrôtová jednotka 2. Háčik 3. Kryt

Po vybratí bezdrôtovú jednotku uložte do dodávaného puzdra alebo do nádoby, v ktorej nedochádza k vytváraniu statického elektrického náboja.

UPOZORNENIE: Pri vyberaní bezdrôtovej jednotky vždy využívajte háčiky na zadnej strane krytu. Ak háčiky bezdrôtovú jednotku nezachytia, kryt úplne zatvorte a znova ho pomaly otvorte.

Registrácia nástroja v systéme vysávača

POZNÁMKA: Registrácia nástroja vyžaduje použitie vysávača značky Makita s podporou funkcie bezdrôtového spúšťania.

POZNÁMKA: Pre začiatkom registrácie nástroja ukončíte inštaláciu bezdrôtovej jednotky do nástroja.

POZNÁMKA: V priebehu registrácie nástroja nepoužívajte spúšťač spínača ani vypínač vysávača.

POZNÁMKA: Postupujte aj podľa pokynov v návode na používanie vysávača.

Ak chcete vysávač spúšťať súčasne s aktiváciou spínača, najprv dokončíte registráciu nástroja.

1. Vložte akumulátory do vysávača a nástroja.

2. Prepínač pohotovostného režimu vysávača nastavte do polohy „AUTO“.

► Obr.37: 1. Prepínač pohotovostného režimu

3. Na 3 sekundy stlačte spínač bezdrôtového spúšťania vysávača a počkajte, kým indikátor bezdrôtového spúšťania nebude blikať nazeleno. Potom rovnakým spôsobom stlačte tlačidlo bezdrôtového spúšťania nástroja.

► Obr.38: 1. Tlačidlo bezdrôtového spúšťania 2. Indikátor bezdrôtového spúšťania

V prípade úspešného prepojenia vysávača a nástroja sa indikátory bezdrôtového spúšťania na 2 sekundy rozsvietia nazeleno a potom začnú blikať modrou farbou.

POZNÁMKA: Indikátory bezdrôtového spúšťania prestanú blikať nazeleno po uplynutí 20 sekúnd. Tlačidlo bezdrôtového spúšťania na nástroji držte, kým indikátor bezdrôtového spúšťania vysávača bliká. Ak indikátor bezdrôtového spúšťania nebliká nazeleno, znova krátko podržte stlačené tlačidlo bezdrôtového spúšťania.

POZNÁMKA: Pri vykonávaní dvoch alebo viacerých registrácií nástrojov v rámci jedného vysávača, vykonávajte registrácie nástrojov postupne.

Spustenie funkcie bezdrôtového spúšťania

POZNÁMKA: Pred bezdrôtovým spustením dokončíte registráciu nástroja v rámci vysávača.

POZNÁMKA: Postupujte aj podľa pokynov v návode na používanie vysávača.

Po registrácii nástroja v rámci vysávača sa vysávač automaticky spustí pri použití spínača nástroja.

1. Nainštalujte bezdrôtovú jednotku do nástroja.

2. K nástroju pripojte hadicu vysávača.

► Obr.39

3. Prepínač pohotovostného režimu vysávača nastavte do polohy „AUTO“.

► **Obr.40:** 1. Prepínač pohotovostného režimu

4. Krátko stlačte tlačidlo bezdrôtového spúšťania nástroja. Indikátor bezdrôtového spúšťania sa rozblíka modrou farbou.

► **Obr.41:** 1. Tlačidlo bezdrôtového spúšťania
2. Indikátor bezdrôtového spúšťania

5. Potiahnite spúšťací spínač nástroja. Skontrolujte, či sa vysávač spustí po potiahnutí spúšťacieho spínača.

Ak chcete zastaviť bezdrôtové spúšťanie vysávača, stlačte tlačidlo bezdrôtového spúšťania na nástroji.

POZNÁMKA: Indikátor bezdrôtového spúšťania na nástroji prestane blikať namodro pri nečinnosti nástroja trvajúcej 2 hodiny. V takomto prípade nastavte prepínač pohotovostného režimu vysávača do polohy „AUTO“ a znova stlačte tlačidlo bezdrôtového spúšťania na nástroji.

POZNÁMKA: Vysávač sa spúšťa/zastavuje s oneskorením. Pri zisťovaní stlačenia spínača nástroja v rámci vysávača dochádza k oneskoreniu.










POZNÁMKA: Dosah vysielania bezdrôtovej jednotky sa môže líšiť v závislosti od umiestnenia a okolitých podmienok.

POZNÁMKA: V prípade, že je v rámci vysávača zaregistrovaných viacero nástrojov, vysávač sa môže spustiť, hoci nepotiahnete spúšťací spínač, pretože iný používateľ používa funkciu bezdrôtového spúšťania.

Popis stavov indikátora bezdrôtového spúšťania

► **Obr.42:** 1. Indikátor bezdrôtového spúšťania

Indikátor bezdrôtového spúšťania vyjadruje stav funkcie bezdrôtového spúšťania. Nasledujúca tabuľka obsahuje informácie o význame stavu indikátora.

Stav	Indikátor bezdrôtového spúšťania				Popis
	Farba	 Sviety	 Bliká	Trvanie	
Pohotovostný režim	Modrá			2 hodiny	Bezdrôtové spúšťanie vysávača je k dispozícii. Indikátor sa automaticky vypne, keď stav nečinnosti trvá 2 hodiny.
				Keď je nástroj v prevádzke.	Bezdrôtové spúšťanie vysávača je k dispozícii a nástroj je v prevádzke.
Registrácia nástroja	Zelená			20 sekúnd	Pripravené na registráciu nástroja. Čaká sa na registráciu v rámci vysávača.
				2 sekundy	Registrácia nástroja sa ukončila. Indikátor bezdrôtového spúšťania začne blikať modrou farbou.
Zrušenie registrácie nástroja	Červená			20 sekúnd	Pripravené na zrušenie registrácie nástroja. Čaká sa na zrušenie v rámci vysávača.
				2 sekundy	Zrušenie registrácie nástroja sa ukončilo. Indikátor bezdrôtového spúšťania začne blikať modrou farbou.
Iné	Červená			3 sekundy	Bezdrôtová jednotka sa napája a aktivuje sa funkcia bezdrôtového spúšťania.
		Nesviety	-	-	Bezdrôtové spúšťanie vysávača sa zastavilo.

Zrušenie registrácie nástroja v systéme vysávača

Pri rušení registrácie nástroja v rámci vysávača vykonajte nasledujúci postup.

1. Vložte akumulátory do vysávača a nástroja.
2. Prepínač pohotovostného režimu vysávača nastavte do polohy „AUTO“.

► **Obr.43:** 1. Prepínač pohotovostného režimu

3. Na 6 sekúnd stlačte tlačidlo bezdrôtového spúšťania na vysávači. Indikátor bezdrôtového spúšťania bliká zelenou farbou a potom sa farba zmení na červenú. Neskôr rovnakým spôsobom stlačte tlačidlo bezdrôtového spúšťania nástroja.

► **Obr.44:** 1. Tlačidlo bezdrôtového spúšťania
2. Indikátor bezdrôtového spúšťania

Po úspešnom vykonaní zrušenia sa indikátory bezdrôtového spúšťania na 2 sekundy rozsvietia načerveno a potom začnú blikať modrou farbou.

POZNÁMKA: Indikátory bezdrôtového spúšťania prestanú blikať načerveno po uplynutí 20 sekúnd. Tlačidlo bezdrôtového spúšťania na nástroji držte, kým indikátor bezdrôtového spúšťania vysávača bliká. Ak indikátor bezdrôtového spúšťania nebliká načerveno, znova krátko podržte stlačené tlačidlo bezdrôtového spúšťania.

Riešenie problémov funkcie bezdrôtového spúšťania

Pred požiadanim o vykonanie opravy najprv vykonajte vlastnú kontrolu. Ak zistíte problém, ktorý nie je vysvetlený v návode, nepokúšajte sa nástroj rozbierať. Namiesto toho požiadajte o opravu autorizované servisné strediská spoločnosti Makita, ktoré používajú len náhradné diely značky Makita.

Chybný stav	Predpokladaná príčina (porucha)	Náprava
Indikátor bezdrôtového spúšťania nesvieti/nebliká.	V nástroji nie je nainštalovaná bezdrôtová jednotka. Bezdrôtová jednotka v nástroji je nesprávne nainštalovaná.	Bezdrôtovú jednotku nainštalujte správne.
	Konektor bezdrôtovej jednotky a/alebo zásuvka je špinavá.	Jemne zotrite prach z konektora bezdrôtovej jednotky a očistite zásuvku.
	Tlačidlo bezdrôtového spúšťania na nástroji nebolo stlačené.	Krátko stlačte tlačidlo bezdrôtového spúšťania nástroja.
	Prepínač pohotovostného režimu vysávača nie je nastavený do polohy „AUTO“.	Prepínač pohotovostného režimu vysávača nastavte do polohy „AUTO“.
	Bez prívodu elektrickej energie	Obnovte napájanie nástroja a vysávača.
Nemožno úspešne dokončiť registráciu nástroja/zrušenie registrácie nástroja.	V nástroji nie je nainštalovaná bezdrôtová jednotka. Bezdrôtová jednotka v nástroji je nesprávne nainštalovaná.	Bezdrôtovú jednotku nainštalujte správne.
	Konektor bezdrôtovej jednotky a/alebo zásuvka je špinavá.	Jemne zotrite prach z konektora bezdrôtovej jednotky a očistite zásuvku.
	Prepínač pohotovostného režimu vysávača nie je nastavený do polohy „AUTO“.	Prepínač pohotovostného režimu vysávača nastavte do polohy „AUTO“.
	Bez prívodu elektrickej energie	Obnovte napájanie nástroja a vysávača.
	Nesprávna funkcia	Krátko stlačte tlačidlo bezdrôtového spúšťania a znova vykonajte postup registrácie/zrušenia registrácie.
	Nástroj a vysávač sú vzdialené od seba (mimo dosahu vysielania).	Nástroj a vysávač priblížte k sebe. Maximálny dosah vysielania je približne 10 m, za určitých okolností sa však môže meniť.
	Pred dokončením registrácie nástroja/zrušenia registrácie nástroja: – spúšťač spínača nástroja bol potiahnutý alebo – vysávač bol zapnutý vypínačom.	Krátko stlačte tlačidlo bezdrôtového spúšťania a znova vykonajte postup registrácie/zrušenia registrácie.
	Proces registrácie nástrojov v rámci nástroja alebo vysávača sa neukončil.	Procesy registrácie v rámci nástroja aj vysávača vykonajte súčasne.
Rušenie rádiového signálu inými spotrebičmi vytvára rádiové vlny vysokej intenzity.	Nástroj a vysávač udržuje v dostatočnej vzdialenosti od zariadení Wi-Fi a mikrovlnných rúr.	
Po stlačení spínača nástroja sa vysávač nespustí.	V nástroji nie je nainštalovaná bezdrôtová jednotka. Bezdrôtová jednotka v nástroji je nesprávne nainštalovaná.	Bezdrôtovú jednotku nainštalujte správne.
	Konektor bezdrôtovej jednotky a/alebo zásuvka je špinavá.	Jemne zotrite prach z konektora bezdrôtovej jednotky a očistite zásuvku.
	Tlačidlo bezdrôtového spúšťania na nástroji nebolo stlačené.	Krátko stlačte tlačidlo bezdrôtového spúšťania a ubezpečte sa, že indikátor bezdrôtového spúšťania bliká modrou farbou.
	Prepínač pohotovostného režimu vysávača nie je nastavený do polohy „AUTO“.	Prepínač pohotovostného režimu vysávača nastavte do polohy „AUTO“.
	V rámci vysávača je zaregistrovaných viac než 10 nástrojov.	Znova vykonajte registráciu nástroja. V prípade registrácie viac než 10 nástrojov v rámci vysávača sa najskôr zaregistrovaný nástroj automaticky zruší.
	Vysávač vymazal registrácie všetkých nástrojov.	Znova vykonajte registráciu nástroja.
	Bez prívodu elektrickej energie	Obnovte napájanie nástroja a vysávača.
	Nástroj a vysávač sú vzdialené od seba (mimo dosahu vysielania).	Nástroj a vysávač priblížte k sebe. Maximálny dosah vysielania je približne 10 m, za určitých okolností sa však môže meniť.
	Rušenie rádiového signálu inými spotrebičmi vytvára rádiové vlny vysokej intenzity.	Nástroj a vysávač udržuje v dostatočnej vzdialenosti od zariadení Wi-Fi a mikrovlnných rúr.
	Vysávač je spustený, hoci nedošlo k potiahnutiu spúšťacieho spínača.	Bezdrôtové spúšťanie vysávača využívajú iní používatelia prostredníctvom svojich nástrojov. Vypnite tlačidlo bezdrôtového spúšťania na iných nástrojoch alebo zrušte registráciu iných nástrojov.

ÚDRŽBA

▲POZOR: Pred vykonaním kontroly alebo údržby vždy skontrolujte, či je nástroj vypnutý a akumulátor je vybratý.

▲POZOR: Kryt očistite, aby na ňom nezostali piliny, ktoré môžu brániť fungovaniu systému krytu. Špinavý systém krytu môže obmedziť správnu funkciu a spôsobiť vážne zranenia osôb. Najúčinnším spôsobom čistenia je čistenie stlačeným vzduchom. **Ak sa prach vyfukuje mimo krytu, používajte riadne ochranné prostriedky zraku a dýchacích orgánov.**

UPOZORNENIE: Nepoužívajte benzín, riedidlo, alkohol ani podobné látky. Mohlo by to spôsobiť zmenu farby, deformácie alebo praskliny.

Nastavenie 0° a 45° presnosti rezu

UPOZORNENIE: Nenastavujte páčky na uhol skoseného rezu -1°, ak je nastavená presnosť rezu na uhol 0°.

UPOZORNENIE: Nenastavujte páčku na uhol skoseného rezu 48°, ak je nastavená presnosť rezu na uhol 45°.

Tieto nastavenia boli vykonané vo výrobnom závode. V prípade narušenia nastavení ich však možno vykonať nasledujúcimi spôsobmi.

1. Jemne uvoľnite upínacie skrutky v prednej a zadnej časti nástroja.
2. Nastavenie uhla čepele.
► **Obr.45:** 1. Trojuholníkové pravítko

Ak chcete nastaviť presnosť rezu na uhol 0°, pomocou trojuholníkového pravítka, uholníka a pod. sa presvedčte, či stôl zvierá s čepeľou pravý uhol, a uhol nastavte otáčaním nastavovacej skrutky.

- **Obr.46:** 1. Nastavenie nastavovacej skrutky na uhol rezania 0°

Ak chcete nastaviť presnosť rezu na uhol 45°, pomocou trojuholníkového pravítka sa presvedčte, či stôl zvierá s čepeľou uhol 45°, a uhol nastavte otáčaním nastavovacej skrutky.

- **Obr.47:** 1. Nastavenie nastavovacej skrutky na uhol rezania 45°

3. Dotiahnite upínacie skrutky a vykonajte skúšobný rez.

Ak chcete udržať **BEZPEČNOSŤ** a **BEZPORUCHOVOSŤ** výrobku, prenechajte opravy, údržbu a nastavenie na autorizované alebo továrenské servisné centrá Makita, ktoré používajú len náhradné diely značky Makita.

VOLITEĽNÉ PRÍSLUŠENSTVO

▲POZOR: Pre váš nástroj Makita, opísaný v tomto návode, doporučujeme používať toto príslušenstvo a nástavce. Pri použití iného príslušenstva či nástavcov môže hroziť nebezpečenstvo zranenia osôb. Príslušenstvo a nástavce sa môžu používať len na účely pre ne stanovené.

Ak potrebujete bližšie informácie týkajúce sa tohoto príslušenstva, obráťte sa na vaše miestne servisné stredisko firmy Makita.

- Čepeľ kotúčovej píly
- Podložka
- Šesťhranný kľúč
- Vodiaca lišta
- Vodiaci prvok skosenia
- Svorka
- Mierka
- Gumová mierka
- Polohová mierka
- Bezdrôtová jednotka (pre DSP601)
- Originálna batéria a nabíjačka Makita

POZNÁMKA: Niektoré položky zo zoznamu môžu byť súčasťou balenia nástrojov vo forme štandardného príslušenstva. Rozsah týchto položiek môže byť v každej krajine odlišný.

SPECIFIKACE

Model:	DSP600	DSP601
Průměr kotouče	165 mm	
Max. hloubka řezu	při 0°	56 mm
	při 45° úhlu úkosu	40 mm
	při 48° úhlu úkosu	38 mm
Otáčky bez zatížení	2 500 – 6 300 min ⁻¹	
Celková délka	346 mm	
Jmenovité napětí	36 V DC	
Akumulátor	BL1815N, BL1820, BL1820B, BL1830, BL1830B, BL1840, BL1840B, BL1850, BL1850B, BL1860B	
Nabíječka	DC18RC, DC18RD, DC18SD, DC18SE, DC18SF	
Hmotnost netto	4,4 - 5,1 kg	

- Vzhledem k neustálému výzkumu a vývoji zde uvedené technické údaje podléhají změnám bez upozornění.
- Technické údaje a akumulátor se mohou v různých zemích lišit.
- Hmotnost se může lišit v závislosti na nastavcích a přídatných zařízeních, včetně akumulátoru. Nejlehčí a nejtěžší kombinace, dle EPTA-Procedure 01/2014, jsou uvedeny v tabulce níže.

Účel použití

Nástroj je určen speciálně k provádění zapichovacích řezů. Nástroj je rovněž určen pro podélné a příčné řezání dřeva. Pokud je nářadí vybaveno příslušným kotoučem okružní pily, můžete jej použít k řezání hliníku, plastu, minerálních plastických hmot a podobných materiálů.

Hlučnost

Typická vážená hladina hluku (A) určená podle normy EN62841:

Model DSP600

Hladina akustického tlaku (L_{pA}): 92 dB(A)
 Hladina akustického výkonu (L_{WA}): 103 dB (A)
 Nejistota (K): 3 dB(A)

Model DSP601

Hladina akustického tlaku (L_{pA}): 92 dB(A)
 Hladina akustického výkonu (L_{WA}): 103 dB (A)
 Nejistota (K): 3 dB(A)

VAROVÁNÍ: Použijte ochranu sluchu.

Vibrace

Celková hodnota vibrací (vektorový součet tří os) určená podle normy EN62841:

Model DSP600

Pracovní režim: Řezání dřeva
 Emise vibrací ($a_{h,w}$): 2,5 m/s² nebo méně
 Nejistota (K): 1,5 m/s²
 Pracovní režim: Řezání kovu
 Emise vibrací ($a_{h,m}$): 2,5 m/s² nebo méně
 Nejistota (K): 1,5 m/s²

Model DSP601

Pracovní režim: Řezání dřeva
 Emise vibrací ($a_{h,w}$): 2,5 m/s² nebo méně
 Nejistota (K): 1,5 m/s²
 Pracovní režim: Řezání kovu
 Emise vibrací ($a_{h,m}$): 2,5 m/s² nebo méně
 Nejistota (K): 1,5 m/s²

POZNÁMKA: Hodnota deklarovaných emisí vibrací byla změněna standardní zkušební metodou a dá se použít k porovnání nářadí mezi sebou.

POZNÁMKA: Hodnotu deklarovaných emisí vibrací lze také použít k předběžnému posouzení míry expozice vibracím.

VAROVÁNÍ: Emise vibrací při používání elektrického nářadí ve skutečnosti se mohou od hodnoty deklarovaných emisí vibrací lišit v závislosti na způsobech použití nářadí.

VAROVÁNÍ: Nezapomeňte stanovit bezpečnostní opatření na ochranu obsluhy podle odhadu expozice ve skutečných podmínkách použití. (Vezměte přitom v úvahu všechny části provozního cyklu, tj. kromě doby zátěže například doby, kdy je nářadí vypnuté a kdy běží naprázdno.)

Prohlášení ES o shodě

Pouze pro evropské země

Prohlášení ES o shodě je obsaženo v Příloze A tohoto návodu k obsluze.

BEZPEČNOSTNÍ VÝSTRAHY

Obecná bezpečnostní upozornění k elektrickému nářadí

VAROVÁNÍ: Přečtete si všechny bezpečnostní výstrahy i pokyny a prohlédněte si ilustrace a specifikace dodané k tomuto elektrickému nářadí. Nedodržení všech níže uvedených pokynů může vést k úrazu elektrickým proudem, požáru či vážnému zranění.

Všechna upozornění a pokyny si uschovejte pro budoucí potřebu.

Pojem „elektrické nářadí“ v upozorněních označuje elektrické nářadí, které se zapojuje do elektrické sítě, nebo elektrické nářadí využívající akumulátory.

Bezpečnostní upozornění k akumulátorové ruční okružní pile

Postupy při řezání

- NEBEZPEČÍ:** Nepřibližujte ruce k oblasti řezání ani ke kotouči. Druhou ruku držte na pomocné rukojeti nebo krytu motoru. Budete-li pilu držet oběma rukama, nehrozí riziko jejich pořízání.
 - Nevkládejte ruce pod obrobek. Kryt vás nechrání před kotoučem pod obrobkem.
 - Nastavte hloubku řezu na tloušťku obrobku. Pod obrobkem by měl být viditelný méně než jeden celý zub pilového kotouče.
 - Při řezání nikdy nedržte obrobek v rukou ani si jej nepokládejte na nohy. Uchytěte obrobek ke stabilní podložce. Je důležité zajistit řádné upevnění dílu, aby se minimalizovalo riziko ohrožení těla, zachycení kotouče nebo ztráty kontroly.
- Obr.1
- Při práci v místech, kde může dojít ke kontaktu nářadí se skrytým elektrickým vedením nebo s vlastním napájecím kabelem, držte elektrické nářadí za izolované části držadel. Kontakt s vodičem pod napětím přenesou proud do nechráněných kovových částí elektrického nářadí a obsluha může utrpět úraz elektrickým proudem.
 - Při podélném řezání vždy používejte podélné pravítko nebo přímé vodítko. Zvýšíte tak přesnost řezu a omezíte možnost ohnutí kotouče.
 - Vždy používejte kotouče správné velikosti a tvaru (diamantové versus kruhové) otvoru. Kotouče neodpovídající upínacímu systému pily se budou pohybovat mimo osu a způsobí ztrátu kontroly nad nářadím.
 - Nikdy nepoužívejte poškozené nebo nesprávné podložky nebo šroub kotouče. Podložky a šroub kotouče jsou navrženy speciálně pro tuto pilu a zajišťují optimální funkci a provozní bezpečnost.

Zpětný ráz a související výstrahy

- Zpětný ráz je náhlá reakce na skřípnutý, zaseknutý nebo nesprávně seřízený pilový kotouč, která způsobuje nekontrolované zvednutí pily z obrobku a jeho vržení směrem k obsluze.
- Pokud se kotouč sevře nebo na pevně zasekne o uzavření spáry, dojde k zastavení kotouče a reakce motoru vrhne jednotku s velkou rychlostí směrem k obsluze.
- Pokud se kotouč v řezu zkroučí nebo vychýlí, mohou se zuby na zadním okraji kotouče zařezat do horního povrchu dřeva, čímž dojde ke zvednutí kotouče ze spáry a rázu nářadí směrem k obsluze.

Zpětný ráz je důsledkem špatného použití pily nebo nesprávných pracovních postupů či podmínek. Lze se mu vyhnout zavedením odpovídajících opatření, která jsou uvedena níže.

- Pilu držte pevně oběma rukama. Paže umístěte tak, abyste byli schopni odolat silám vznikajícím při zpětném rázu. Tělo udržte bokem od nářadí. Nestůjte přímo za kotoučem. Zpětný ráz by mohl způsobit vrhnutí pily zpět. Pokud pracovník dodržuje odpovídající opatření, je schopen kontrolovat síly vznikající při zpětném rázu.
- Pokud kotouč vázne nebo z jakéhokoli důvodu chcete přerušit řezání, uvolněte spoušť a držte pilu bez pohybu v materiálu, dokud se kotouč úplně nezastaví. Nikdy pilu nevytahujte z materiálu ani ji netahejte směrem zpět, je-li kotouč v pohybu. V opačném případě může dojít ke zpětnému rázu. Zjistěte příčinu váznutí kotouče a proveďte odpovídající nápravná opatření.
- Spouštíte-li pilu opakovaně v obrobku, umístěte pilový kotouč do středu drážky tak, aby zuby kotouče nebyly zachyceny v materiálu. Pokud pilový kotouč uvízne, může se při opakovaném spuštění pily zvednout nebo vymrštit z obrobku.
- Velké desky podepřete, abyste minimalizovali riziko skřípnutí kotouče a zpětného rázu. Velké desky mají tendenci prověšovat se svojí vlastní váhou. Podpěry je nutno umístit pod panel na obou stranách v blízkosti rysky řezu a okraje desky.

► Obr.2

► Obr.3

- Nepoužívejte tupé nebo poškozené kotouče. Nenaostřené nebo nesprávně nastavené kotouče řezou úzkou drážku, čímž dochází k nadměrnému tření, váznutí kotouče a zpětnému rázu.
- Před zahájením řezání musí být dotazeny a zajištěny pojistné páčky nastavení hloubky a úkosu. Dojde-li během řezání ke změně nastavení kotouče, kotouč může váznout a může vzniknout zpětný ráz.
- Při řezání do stávajících stěn či jiných nepřehledných míst dbejte zvýšené opatrnosti. Vyčnívající kotouč se může zařeznout do předmětu, jež mohou způsobit zpětný ráz.
- Nářadí VŽDY držte pevně oběma rukama. NIKDY neumítejte ruce, nohy nebo jakoukoli jinou část těla pod základnu nářadí nebo za pilu, zejména při příčném řezání. Dojde-li ke zpětnému rázu, může pila snadno odskočit směrem zpět přes vaše ruce a způsobit vám tak vážné poranění.

► Obr.4

9. Nikdy na pilu nevyvíjejte příliš velkou sílu. Pilu tlačte vpřed tak, aby kotouč řezal bez zpomalování. Příliš silný tlak může způsobit nerovné řezy, ztrátu přesnosti a vznik zpětného rázu.

Funkce krytu

1. Před každým použitím zkontrolujte řádné uzavření krytu. S pilou nepracujte, pokud se kryt nepohybuje volně a pokud kryt kotouč okamžitě neuzavře. Kryt nikdy neupínáte ani neuchycujete tak, aby kotouč zůstal nekrytý. Pokud pilu náhodně upustíte, může se kryt ohnout. Zkontrolujte, zda se kryt volně pohybuje a zda se ve všech úhlech a hloubkách řezu nedotýká kotouče ani žádné jiné součásti.
2. Zkontrolujte funkci a stav vratné pružiny krytu. Pokud kryt a pružina nepracují správně, musí být před zahájením provozu opraveny. Kryt se může pohybovat pomalu z důvodu poškozených dílů, lepkavých usazenin nebo nahromaděného odpadního materiálu.
3. Ujistěte se, že přesazená základna pily se při provádění zapichovacího řezu neposune. Postranní posunutí kotouče způsobí ohnutí a pravděpodobně i zpětný ráz.
4. Před položením pily na pracovní stůl nebo podlahu se vždy přesvědčte, zda kryt zakrývá kotouč. Nechráněný dobíhající kotouč způsobí pohyb nářadí směrem zpět, při kterém může dojít k pořezání. Nezapomeňte, že zastavení kotouče po uvolnění spínače trvá určitou dobu.

Další bezpečnostní výstrahy

1. Při řezání vlhkého dřeva, tlakově impregnovaného dřeva nebo dřeva obsahujícího suky postupujte se zvýšenou opatrností. Nářadí vedle do řezu plynule, aby se pohyb pracovního nástroje nezpomaloval a nedocházelo k přehřívání břitů, a pokud řežete tvrdé plasty, aby nedocházelo k tavení plastu.
2. Neodstraňujte odřezaný materiál, pokud se pohybuje kotouč. Před uchopením odřezaného materiálu počkejte, až se kotouč zastaví. Kotouče po vypnutí nářadí dobíhají.
3. Neřežte hřebíky. Před zahájením řezání zkontrolujte a odstraňte ze dřeva všechny případné hřebíky.
4. Širší stranu základny pily položte na tu část obrobku, která je pevně podepřena a nikoli na část, která po provedení řezu odpadne. Pokud je obrobek krátký nebo malý, upněte jej. **NIKDY NEDRŽTE KRÁTKÉ DÍLY RUKOU!**

► Obr.5

5. Před odložením nářadí po dokončení řezu se přesvědčte, zda se kryt zavřel a zda se kotouč úplně zastavil.
6. Nikdy se nepokoušejte řezat okružní pilou uchycenou vzhůru nohama ve svěráku. Tento postup je mimořádně nebezpečný a může způsobit vážné nehody.

► Obr.6

7. Některé materiály obsahují chemikálie, které mohou být jedovaté. Dávejte pozor, abyste nevdýchali prach nebo nedocházelo ke kontaktu s kůží. Dodržujte bezpečnostní pokyny dodavatele materiálu.
8. Nezastavujte pilové kotouče vyvinutím postranního tlaku.

9. Nepoužívejte žádné brusné kotouče.

10. Používejte pouze pilové kotouče s průměrem vyznačeným na nářadí nebo specifikovaným v příručce. Použití kotouče nesprávných rozměrů může ovlivnit správné zakrytí kotouče nebo funkci krytu, což může mít za následek vážné zranění.
11. Udržujte kotouč ostrý a čistý. Smůla a pryskyřice zatvrdnutá na kotouči pilu zpomaluje a zvyšuje potenciální nebezpečí zpětného rázu. Při čištění kotouč nejprve vyjměte z nářadí a pak jej vyčistěte prostředkem k odstraňování smůly a pryskyřice, horkou vodou nebo petrolejem. Nikdy nepoužívejte benzín.
12. Při používání nářadí používejte protiprachovou masku a ochranu sluchu.
13. Vždy používejte takový pilový kotouč, který je určený pro řezání materiálu, který se chystáte řezat.
14. Používejte pouze pilové kotouče označené hodnotou otáček, jejichž hodnota se rovná či přesahuje hodnotu otáček vyznačenou na nářadí.
15. (Pouze pro evropské země)
Vždy používejte kotouče, které odpovídají normě EN847-1.

TYTO POKYNY USCHOVEJTE.

▲VAROVÁNÍ: NEDOVOLTE, aby pohodlnost nebo pocit znalosti výrobku (získaný na základě předchozího použití) vedl k zanedbání dodržování bezpečnostních pravidel platných pro tento výrobek. **NESPRÁVNÉ POUŽÍVÁNÍ** či nedodržení bezpečnostních pravidel uvedených v tomto návodu k obsluze může způsobit vážné zranění.

Důležitá bezpečnostní upozornění pro akumulátor

1. Před použitím akumulátoru si přečtěte všechny pokyny a varovné symboly na (1) nabíječe, (2) akumulátoru a (3) výrobku využívajícím akumulátor.
2. Akumulátor nerozebírejte.
3. Pokud se příliš zkrátí provozní doba akumulátoru, přerušte okamžitě práci. V opačném případě existuje riziko přehřívání, popálení nebo dokonce výbuchu.
4. Budou-li vaše oči zasaženy elektrolytem, vypláchněte je čistou vodou a okamžitě vyhledejte lékařskou pomoc. Může dojít ke ztrátě zraku.
5. Akumulátor nezkratujte:
 - (1) Nedotýkejte se svorek žádným vodivým materiálem.
 - (2) Neskladujte akumulátor v nádobě s jinými kovovými předměty, jako jsou hřebíky, mince, apod.
 - (3) Nevystavuje akumulátor vodě a dešti. Zkrat akumulátoru může způsobit velký průtok proudu, přehřátí, možné popálení a dokonce i poruchu.
6. Neskladujte nářadí a akumulátor na místech, kde může teplota překročit 50 °C (122 °F).
7. Nespalujte akumulátor, ani když je vážně poškozen nebo úplně opotřeben. Akumulátor může v ohni vybuchnout.

8. **Dávejte pozor, abyste akumulátor neupustili ani s ním nenaráželi.**
9. **Nepoužívejte poškozené akumulátory.**
10. **Obsažené lithium-iontové akumulátory podléhají právním požadavkům na bezpečné zboží.**
V případě komerční přepravy například externími dopravci je třeba dodržet zvláštní požadavky na balení a značení.
Pro přípravu zboží k přepravě je nutná konzultace s odborníkem na bezpečný materiál. Dodržujte také případné podrobnější národní předpisy.
Odkryté kontakty přelepte izolační páskou či jinak zakryjte a akumulátory zabalte tak, aby se v balení nemohly pohybovat.
11. **Při likvidaci akumulátoru postupujte podle místních předpisů.**
12. **Akumulátor používejte pouze s výrobky specifikovanými společnostmi Makita.** Instalace akumulátoru do nevhovujících výrobků může způsobit požár, nadměrné zahřívání, explozi nebo únik elektrolytu.
7. **Neprovozujte bezdrátovou jednotku na místech, kde se nachází automatizovaná zařízení, nebo v jejich blízkosti.** V případě provozu může u automatizovaných zařízení docházet k poruchám nebo chybám.
8. **Bezdrátová jednotka může vytvářet elektromagnetická pole (EMP), která ale nejsou pro uživatele škodlivá.**
9. **Bezdrátová jednotka je přesný přístroj. Dávejte pozor, abyste bezdrátovou jednotku neupustili ani s ní nenaráželi.**
10. **Nedotýkejte se svorek bezdrátové jednotky holými rukama nebo kovovými materiály.**
11. **Při instalaci bezdrátové jednotky vždy vyjměte akumulátor nástroje.**
12. **Při otevření krytu drážky dejte pozor na místo, ze kterého se může dostat prach a voda do drážky. Udržujte vstupní část drážky stále čistou.**
13. **Bezdrátovou jednotku vždy vkládejte ve správném směru.**
14. **Netlačte na tlačítko bezdrátové aktivace na bezdrátové jednotce příliš silně a netlačte na něj předměty s ostrými hranami.**
15. **Při používání vždy zavřete kryt drážky.**
16. **Neodpojujte bezdrátovou jednotku z drážky, zatímco je nástroj zapájen.** V opačném případě hrozí poškození bezdrátové jednotky.
17. **Neodstraňujte nálepku na bezdrátové jednotce.**
18. **Nelepte na bezdrátovou jednotku žádné nálepky.**
19. **Neponechávejte bezdrátovou jednotku na místě, kde se může generovat statická elektřina nebo elektronický šum.**
20. **Nenechávejte bezdrátovou jednotku na místech, kde by mohla být vystavena velkému teplu, například v autě na slunci.**
21. **Neponechávejte bezdrátovou jednotku v prašném prostředí nebo na místech, kde se může působit korozivní plyn.**
22. **Náhlé změny teploty mohou způsobit navlhnutí bezdrátové jednotky. Bezdrátovou jednotku nepoužívejte, dokud nebude vlhkost kompletně vysušena.**
23. **Při čištění bezdrátové jednotky ji opatrně otřete suchým jemným hadříkem. Nepoužívejte benzin, ředidlo, vodivé mazivo a podobně.**
24. **Při uskladnění bezdrátové jednotky ji uchovávejte v dodávaném pouzdru nebo antistatickém obalu.**
25. **Nevkládejte do drážky nástroje jiná zařízení, než je bezdrátová jednotka Makita.**
26. **Nepoužívejte nástroj, pokud je kryt drážky poškozen. Do drážky se může dostat voda, prach a nečistoty a způsobit poruchu.**
27. **Za kryt drážky netahujte ani se ho nesazte zkroutit více, než je potřeba. Uvolněný kryt znovu připevněte.**
28. **Pokud se kryt drážky ztratí nebo poškodí, nahraďte ho.**

TYTO POKYNY USCHOVEJTE.

⚠️ UPOZORNĚNÍ: Používejte pouze originální akumulátory Makita. Používání neoriginálních nebo upravených akumulátorů může způsobit explozi akumulátoru a následný požár, zranění a jiné poškození. Zaniká tím také záruka společnosti Makita na nářadí a nabíječku Makita.

Tipy k zajištění maximální životnosti akumulátoru

1. **Akumulátor nabíjete dříve, než dojde k jeho úplnému vybití. Pokud si povšimnete sníženého výkonu nářadí, vždy jej zastavte a dobijte akumulátor.**
2. **Nikdy nenabíjete úplně nabitý akumulátor. Přebíjení zkracuje životnost akumulátoru.**
3. **Akumulátor dobíjete při pokojové teplotě od 10 °C do 40 °C (50 °F až 104 °F). Před nabíjením nechejte horký akumulátor zchladnout.**
4. **Pokud se akumulátor delší dobu nepoužívá (déle než šest měsíců), je nutno jej dobít.**

Důležité bezpečnostní pokyny pro bezdrátovou jednotku

1. **Bezdrátovou jednotku nerozebírejte ani do ní nezasahujte.**
2. **Bezdrátovou jednotku uchovávejte mimo dosah malých dětí. Pokud by nedopatřením došlo ke spolknutí, okamžitě vyhledejte lékařskou pomoc.**
3. **Bezdrátovou jednotku používejte pouze s nástroji Makita.**
4. **Bezdrátovou jednotku nevystavujte dešti a vlhku.**
5. **Bezdrátovou jednotku nepoužívejte na místech, kde teplota překračuje 50 °C.**
6. **Bezdrátovou jednotku neprovozujte na místech, kde se nachází lékařské přístroje, jako je kardiostimulátor, nebo v jejich blízkosti.**
7. **Neprovozujte bezdrátovou jednotku na místech, kde se nachází automatizovaná zařízení, nebo v jejich blízkosti.** V případě provozu může u automatizovaných zařízení docházet k poruchám nebo chybám.
8. **Bezdrátová jednotka může vytvářet elektromagnetická pole (EMP), která ale nejsou pro uživatele škodlivá.**
9. **Bezdrátová jednotka je přesný přístroj. Dávejte pozor, abyste bezdrátovou jednotku neupustili ani s ní nenaráželi.**
10. **Nedotýkejte se svorek bezdrátové jednotky holými rukama nebo kovovými materiály.**
11. **Při instalaci bezdrátové jednotky vždy vyjměte akumulátor nástroje.**
12. **Při otevření krytu drážky dejte pozor na místo, ze kterého se může dostat prach a voda do drážky. Udržujte vstupní část drážky stále čistou.**
13. **Bezdrátovou jednotku vždy vkládejte ve správném směru.**
14. **Netlačte na tlačítko bezdrátové aktivace na bezdrátové jednotce příliš silně a netlačte na něj předměty s ostrými hranami.**
15. **Při používání vždy zavřete kryt drážky.**
16. **Neodpojujte bezdrátovou jednotku z drážky, zatímco je nástroj zapájen.** V opačném případě hrozí poškození bezdrátové jednotky.
17. **Neodstraňujte nálepku na bezdrátové jednotce.**
18. **Nelepte na bezdrátovou jednotku žádné nálepky.**
19. **Neponechávejte bezdrátovou jednotku na místě, kde se může generovat statická elektřina nebo elektronický šum.**
20. **Nenechávejte bezdrátovou jednotku na místech, kde by mohla být vystavena velkému teplu, například v autě na slunci.**
21. **Neponechávejte bezdrátovou jednotku v prašném prostředí nebo na místech, kde se může působit korozivní plyn.**
22. **Náhlé změny teploty mohou způsobit navlhnutí bezdrátové jednotky. Bezdrátovou jednotku nepoužívejte, dokud nebude vlhkost kompletně vysušena.**
23. **Při čištění bezdrátové jednotky ji opatrně otřete suchým jemným hadříkem. Nepoužívejte benzin, ředidlo, vodivé mazivo a podobně.**
24. **Při uskladnění bezdrátové jednotky ji uchovávejte v dodávaném pouzdru nebo antistatickém obalu.**
25. **Nevkládejte do drážky nástroje jiná zařízení, než je bezdrátová jednotka Makita.**
26. **Nepoužívejte nástroj, pokud je kryt drážky poškozen. Do drážky se může dostat voda, prach a nečistoty a způsobit poruchu.**
27. **Za kryt drážky netahujte ani se ho nesazte zkroutit více, než je potřeba. Uvolněný kryt znovu připevněte.**
28. **Pokud se kryt drážky ztratí nebo poškodí, nahraďte ho.**

TYTO POKYNY USCHOVEJTE.

POPIS FUNKCÍ

⚠ UPOZORNĚNÍ: Před nastavováním nářadí nebo kontrolou jeho funkce se vždy přesvědčte, zda je vypnuté a je vyjmutý akumulátor.

Nasazení a sejmutí akumulátoru

⚠ UPOZORNĚNÍ: Před nasazením či sejmutím akumulátoru nářadí vždy vypněte.

⚠ UPOZORNĚNÍ: Při nasazování či snímání akumulátoru pevně držte nářadí i akumulátor. V opačném případě vám může nářadí nebo akumulátor vyklouznout z rukou a mohlo by dojít k jejich poškození či ke zranění.

► **Obr.7:** 1. Červený indikátor 2. Tlačítko 3. Akumulátor

Chcete-li akumulátor sejmout, vysuňte jej se současným přesunutím tlačítka na přední straně akumulátoru.

Při nasazování akumulátoru vyrovnejte jazýček na bloku akumulátoru s drážkou v krytu a zasuňte akumulátor na místo. Akumulátor zasuňte na doraz, až zacvakne na své místo. Není-li tlačítko zcela zajištěno, uvidíte na jeho horní straně červený indikátor.

⚠ UPOZORNĚNÍ: Akumulátor zasunujte vždy zcela tak, aby nebyl červený indikátor vidět. Jinak by mohl akumulátor ze zařízení vypadnout a způsobit zranění obsluze či přihlížejícím osobám.

⚠ UPOZORNĚNÍ: Akumulátor nenasazujte násilím. Nelze-li akumulátor zasunout snadno, nevkládáte jej správně.

POZNÁMKA: Nářadí jen s jedním nasazeným akumulátorem nepracuje.

Systém ochrany nářadí a akumulátoru

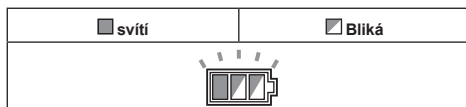
Nářadí je vybaveno systémem ochrany nářadí a akumulátoru. Tento systém automaticky přeruší napájení motoru, aby se prodloužila životnost nářadí a akumulátoru. Budou-li nářadí nebo akumulátor vystaveny některé z níže uvedených podmínek, nářadí se během provozu automaticky vypne. Za určitých podmínek se rozsvítí kontrolky.

Ochrana proti přetížení

Pokud se s pilou pracuje způsobem vyvolávajícím mimořádně vysoký odběr proudu, nářadí se automaticky vypne. V takové situaci nářadí vypnete a ukončíte činnost, při níž došlo k přetížení nářadí. Potom nářadí zapnete a obnovte činnost.

Ochrana proti přehřátí

Pokud je nářadí přehřáté, automaticky se zastaví a kontrolka akumulátoru bude asi 60 sekund blikat. V takovém případě nechte nářadí před opětovným zapnutím vychladnout.



Ochrana proti přílišnému vybití

V případě nízké zbývajících kapacity akumulátoru se nářadí automaticky vypne. Jestliže produkt při ovládání přepínači nepracuje, vyjměte z nářadí akumulátory a nabijte je.

Indikace zbývajících kapacity akumulátoru

► **Obr.8:** 1. Indikátor akumulátoru (pro horní baterii) 2. Tlačítko kontroly 3. Indikátor akumulátoru (pro dolní baterii)

Zbývajících kapacitu akumulátoru zjistíte stisknutím tlačítka kontroly. Kontrolky akumulátoru signalizují stav odpovídajících akumulátorů.

Stav indikátoru akumulátoru			Zbývajících kapacita akumulátoru
Svítí	Nesvítí	Bliká	
			50 % až 100 %
			20 % až 50 %
			0 % až 20 %
			Nabijte akumulátor

Indikace zbývajících kapacity akumulátoru

Pouze pro akumulátory s diodovým ukazatelem

► **Obr.9:** 1. Kontrolky 2. Tlačítko kontroly

Stisknutím tlačítka kontroly na akumulátoru zjistíte zbývajících kapacitu akumulátoru. Kontrolky indikátoru se na několik sekund rozsvítí.

Kontrolky			Zbývajících kapacita
Svítí	Nesvítí	Bliká	
			75 % až 100 %
			50 % až 75 %
			25 % až 50 %
			0 % až 25 %
			Nabijte akumulátor.
			Došlo pravděpodobně k poruše akumulátoru.

POZNÁMKA: Kapacita udávaná indikátorem se může mírně lišit od skutečné kapacity v závislosti na podmínkách používání a teplotě prostředí.

Funkce automatické změny otáček

POZNÁMKA: Automatická funkce změny otáček je dostupná, pouze když je otočný volič otáček nastaven na 5.

Nářadí disponuje „režimem vysokých otáček“ a „režimem vysokého točivého momentu“.

Provozní režim se přepíná automaticky podle pracovního zatížení. Když je pracovní zatížení nízké, poběží nářadí v „režimu vysokých otáček“, aby se urychlovalo řezání. Při vysokém pracovním zatížení poběží nářadí v „režimu vysokého točivého momentu“ pro výkonnější řezání.

► **Obr.10:** 1. Indikátor režimu

Indikátor režimu se rozsvítí zeleně, když nářadí poběží v „režimu vysokého točivého momentu“.

Pokud bude nářadí při práci přetíženo, začne zeleně blikat indikátor režimu. Jakmile snížíte zatížení nářadí, indikátor režimu přestane blikat, rozsvítí se a poté zhasne.

Stav indikátoru režimu			Provozní režim
<input checked="" type="radio"/> Svítí	<input type="radio"/> Nesvítí	<input type="radio"/> Bliká	
			Režim vysokých otáček
			Režim vysokého točivého momentu
			Upozornění na přetížení

Nastavení hloubky řezu

▲ UPOZORNĚNÍ: Po nastavení hloubky řezu vždy pevně dotáhněte upínací šroub.

Uvolněte upínací šroub na vodítku pro nastavení hloubky a přesuňte dolní koncovou zarážku kotouče na požadovanou hloubku na měřicí desce. Na požadované hloubce řezu dotáhněte pevně upínací šroub.

Pro čistší a bezpečnější řезы nastavte hloubku tak, aby z dolní strany obrobku nevyčníval více než jeden zub kotouče. Použití správných hloubek řezu pomáhá omezovat nebezpečí ZPĚTNÝCH RÁZŮ, které mohou způsobit zranění.

► **Obr.11:** 1. Dolní koncová zarážka kotouče
2. Upínací šroub

Tlačítko rychlého zastavení pro 2 až 3 mm hloubku řezu při použití vodící kolejnice (volitelné příslušenství)

Tento nástroj je vybaven tlačítkem rychlého zastavení pro hloubku řezu 2 až 3 mm při použití vodící kolejnice. Tlačítko je umístěno na skříni převodovky vedle zadního držadla. Používá se jako prevence rozštěpení hran řezu v dílu. Nejdříve proveďte 2 až 3 mm hluboký výchozí řez a při dalším průchodu řeže s obvyklou hloubkou.

► **Obr.12:** 1. Tlačítko rychlého zastavení

Chcete-li provést řez o hloubce 2 až 3 mm, přesuňte tlačítko rychlého zastavení směrem k pilovému kotouči. Tento postup je výhodný jako prevence rozštěpení hran řezu v dílu.

Pro uvolnění hloubky řezu z této polohy pro volnou hloubku řezu stačí zatáhnout tlačítko zpátky.

Úkosové řezání

Povolte upínací šrouby. Odpovídajícím nakloněním nastavte požadovaný úhel a pevně dotáhněte upínací šrouby.

► **Obr.13:** 1. Upínací šroub 2. Deska se stupnicí úkosu

► **Obr.14:** 1. Pomocná základna (Volitelné příslušenství) 2. Upínací šroub

Positivní zarážka

Positivní zarážka slouží k rychlému nastavení požadovaného úhlu. Otočte pozitivní zarážku tak, aby šipka na zarážce byla pod úhlem 22,5°. Povolte upínací šrouby vepředu a vzadu. Poté sklápějte kotouč nástroje, dokud se nezastaví a zajistíte základnu upínacími šrouby.

► **Obr.15:** 1. Positivní zarážka 2. Upínací šroub

Úkosové řezání v úhlu 48

Pokud chcete provést úkosový řez v úhlu 48°, uvolněte upínací šrouby a plně vyklopte páčku ve směru šipky na obrázku. Potom nastavte úhel úkosu na 48° a utáhněte upínací šrouby.

► **Obr.16:** 1. Páčka

Úkosové řezání v úhlu -1°

Pokud chcete provést úkosový řez v úhlu -1°, uvolněte upínací šrouby a zatlačte páčky ve směru šipky na obrázku. Potom nastavte úhel úkosu na -1° a utáhněte upínací šrouby.

► **Obr.17:** 1. Páčka

Sledování značek

► **Obr.18:** 1. Základna

Dráha řezu se bude lišit v závislosti na úhlu řezání a zda používáte vodící kolejnici (volitelné příslušenství).

Používání nástroje bez vodící kolejnice

Požadujete-li přímé řезы, vyrovnejte polohu A na přední straně základny s rýskou řezání. Pokud chcete provadět úkosové řезы 45°, vyrovnejte s rýskou řezání polohu B.

Používání nástroje s vodící kolejnicí

Požadujete-li současně přímé řезы a úkosové řезы pod úhlem 45°, vždy vyrovnejte polohu A na přední straně základny s rýskou řezání.

Používání spouště

VAROVÁNÍ: Před vložením akumulátoru do nářadí vždy zkontrolujte správnou funkci spouště, a zda se po uvolnění vrací do vypnuté polohy.

VAROVÁNÍ: NIKDY neblokujte funkci odjišťovacího tlačítka zalepením páskou ani jinými způsoby. Spínač se zablokovaným odjišťovacím tlačítkem může být příčinou neúmyslného zapnutí a vážného zranění.

VAROVÁNÍ: NIKDY nepoužívejte nářadí, které lze spustit pouhým stisknutím páskou ani použitím odjišťovacího tlačítka. Spínač vyžadující opravu může způsobit neúmyslné zapnutí a vážné zranění. V takovém případě nářadí PŘED dalším použitím předejte servisnímu středisku Makita k opravě.

K zamezení náhodnému stisknutí spouště je nářadí vybaveno odjišťovacím tlačítkem. Chcete-li nářadí spustit, stisknete odjišťovací tlačítko a potom spoušť. Chcete-li nářadí vypnout, uvolněte spoušť.

► Obr.19: 1. Spoušť 2. Odjišťovací tlačítko

POZOR: Nemačkejte spoušť silou bez stisknutí odjišťovacího tlačítka. Mohlo by dojít k poškození spínače.

Otočný volič otáček

Otáčky nářadí lze nastavit otočným voličem. Rychlost rotace kotouče se zvyšuje s tím, jak zvyšujete hodnotu na otočném voliči otáček.

► Obr.20: 1. Otočný volič otáček

Odpovídající otáčky pro řezaný obrobek zvolte pomocí tabulky. Otáčky se však mohou lišit podle typu nebo tloušťky obrobku. Obecně platí, že vyšší rychlosti umožňují rychlejší řezání obrobků, ale současně dochází ke zkrácení životnosti kotouče.

Počet	Otáčky kotouče za minutu (min ⁻¹)
1	2 500 min ⁻¹
2	2 900 min ⁻¹
3	3 900 min ⁻¹
4	4 900 min ⁻¹
5	6 300 min ⁻¹

UPOZORNĚNÍ: Otočný volič otáček není určen pro nízkootáčkové pilové kotouče, ale k dosažení rychlosti, která je vhodná pro zpracovávaný materiál. Používejte pouze pilové kotouče se jmenovitými otáčkami alespoň na minimální hodnotě otáček bez zátěže uvedených v části SPECIFIKACE.

POZOR: Otočným voličem otáček lze otáčet pouze do polohy 5 a zpět do polohy 1. Voličem neotáčejte silou za polohu 5 nebo 1. Mohlo by dojít k poruše funkce regulace otáček.

Elektronické funkce

Následující elektronické funkce a vlastnosti nářadí umožňují jejich snadné provozování.

Ochrana proti přetížení

Když je nástroj přetížen a průtok proudu je nad určitou úroveň, nástroj se automaticky zastaví, aby chránil motor.

Regulátor konstantních otáček

Elektronický regulátor otáček pro dosažení konstantních otáček. Pomocí této funkce lze dosáhnout hladkého povrchu, protože se rychlost otáčení udržuje na konstantní hodnotě i při zatížení.

Funkce měkkého spuštění

Měkké spuštění potlačením počátečního rázu.

SESTAVENÍ

UPOZORNĚNÍ: Před prováděním jakýchkoli prací na nářadí se vždy přesvědčte, zda je vypnuté a je vyjmutý akumulátor.

Uložení šestihranného klíče

Není-li používán, uložte šestihranný klíč, jak je ilustrováno na obrázku. Předjedete tak jeho ztrátě.

► Obr.21: 1. Šestihranný klíč

Demontáž a instalace kotouče okružní pily

UPOZORNĚNÍ: Dbejte, aby byl kotouč okružní pily nainstalován tak, aby na přední straně nářadí směřovaly zuby nahoru.

UPOZORNĚNÍ: Při instalaci a demontáži kotouče okružní pily používejte pouze klíč Makita.

Postup odstranění kotouče okružní pily:

1. Zamáčkněte odjišťovací tlačítko a mírně spusťte držadlo. Otočte zajišťovací páčkou a spusťte držadlo, dokud pojistný čep nedosedne do otvoru.

► Obr.22: 1. Odjišťovací tlačítko 2. Pojistná páčka 3. Pojistný čep 4. Otvor pro pojistný čep

2. Stiskněte úplně zámek hřídele tak, aby se kotouč neotáčel, a poté pomocí imbusového klíče povolte šroub s šestihrannou hlavou.

► Obr.23: 1. Zámek hřídele 2. Šestihranný klíč 3. Utažení 4. Povolit

3. Demontujte šroub s šestihrannou hlavou, vnější přírubu a kotouče okružní pily.

► Obr.24: 1. Šroub se šestihrannou hlavou 2. Vnější příruba 3. Vnitřní příruba 4. Kotouč okružní pily

VAROVÁNÍ: Pokud se odstraní vnitřní příruba, namontujte ji na větenu. Při instalaci zvolte správnou stranu, jejíž prolis přesně zapadne do otvoru pilového kotouče. Nasazení kotouče na chybnou stranu může způsobit nebezpečné vibrace.

Při instalaci kotouče okružní pily použijte opačný postup demontáže. Zamáčknutím odjišťovacího tlačítka uvolněte pojistný čep z otvoru.

VAROVÁNÍ: ŠROUB SE ŠESTIHRANNOU HLAVOU PEVNĚ DOTÁHNĚTE. Nikdy však šroub nedotahujte násilím. Pokud se vám šestihřanný klíč vysmekne z ruky, může dojít ke zranění.

Čištění krytu kotouče

Při výměně kotouče okružní pily rovněž nespomeňte očistit kryt kotouče od usazených pilin podle pokynů v části Údržba. Provedení tohoto kroku nevyklučuje nutnost kontroly krytu před každým použitím.

Připojení odsavače prachu

Volitelné příslušenství

K zajištění čistoty během řezání připojte k nářadí vysavač Makita. K hubici na piliny připojte s použitím předních manžet 24 hadice odsavače prachu 2. Přední manžety 24 3. Hubice na piliny

► **Obr.25:** 1. Hadice odsavače prachu 2. Přední manžety 24 3. Hubice na piliny

PRÁCE S NÁŘADÍM

UPOZORNĚNÍ: Nářadí zlehka posunujte dopředu po přímé rýse. Pokud na nástroj budete tlačit nebo jej zkroužíte, dojde k přehřátí motoru a nebezpečnému zpětnému rázu s rizikem těžkého zranění.

UPOZORNĚNÍ: Při řezání a zejména při zahavování řezu dejte pozor, aby se žádná část vašeho těla nikdy nedostala pod základnu nářadí. V opačném případě se můžete vážně poranit. Kotouč je pod základnou nářadí nekrytý.

POZNÁMKA: Při nízké teplotě bloku akumulátoru nemusí nářadí pracovat na plný výkon. V takové situaci nářadí chvíli používejte například k nenáročnému řezání, dokud se akumulátor nezahřeje na pokojovou teplotu. Potom již může zařízení pracovat na plný výkon.

Řezání (běžné řezání)

► **Obr.26**

Držte nářadí pevně. Nářadí je vybaveno přední rukojetí a zadním držadlem. Použijte obě k pevnému uchopení nářadí. Budete-li pilu držet oběma rukama, nemůžete si ruce pořezat kotoučem okružní pily. Ustavte základnu na obrobek, aniž by došlo ke kontaktu s kotoučem okružní pily. Potom zamáčkněte odjišťovací tlačítko a stiskněte spoušť. Vyčkejte, dokud kotouč okružní pily nedosáhne plné rychlosti. Nyní pomalu tlače dolů hlavu pily na přednastavenou hloubku řezu a jednoduše posunujte nářadí dopředu po povrchu obrobku, přičemž držte nářadí v rovině a postupujte plynule vpřed, dokud není řez dokončen. Chcete-li dosáhnout čistých řezů, udržujte přímou dráhu řezu a rovnoměrnou rychlost posunu. Pokud řez nesleduje přesně dráhu zamýšleného řezu, nepokoušejte se o otočení nebo násilné přesunutí nářadí zpět na rysku řezu. V opačném případě by mohlo dojít k ohnutí kotouče okružní pily, nebezpečnému zpětnému rázu a potenciálnímu vážnému poranění. Uvolněte spínač, počkejte na zastavení kotouče okružní pily a poté nářadí vytáhněte. Ustavte nářadí na novou dráhu řezu a zahajte řez znovu. Pokuste se vyvarovat takového umístění nářadí, při kterém je obsluha vystavena tříškám a pilinám vylétujícím z pily. Předjedte poranění použitím ochrany očí.

Vodící kolejnice

Volitelné příslušenství

Umístěte nástroj na zadní konec vodící kolejnice. Otočte dva stavěcí šrouby na základně nářadí tak, aby se nářadí posunovalo hladce bez klepání. Pevně uchopte současně přední rukojeť a zadní držadlo nástroje. Spusťte nástroj, zatlačte jej na přednastavenou hloubku řezu a proveďte řez podle chrániče proti roztržení po celé délce. Nyní okraj chrániče proti roztržení odpovídá hraně řezu.

► **Obr.27:** 1. Stavěcí šrouby

Při úkosovém řezu s vodící kolejnicí použijte posuvnou páčku k zabránění převrácení nástroje. Přesuňte posuvnou páčku na základnu nástroje ve směru šipky tak, že se zachytí v drážce pro prodíznutí ve vodící kolejnici.

► **Obr.28:** 1. Posuvná páčka

Pomocná základna (vodící pravítko)

Volitelné příslušenství

S použitím pomocné základny jako vodícího pravítka můžete provádět mimořádně přesné přímé řezy. Uvolněte upínací šrouby a vysuňte pomocnou základnu z nástroje a následně ji vložte vzhůru nohama.

► **Obr.29:** 1. Upínací šroub 2. Pomocná základna

Jednoduše těsně nasuňte pravítko pomocné základny na bok obrobku a zajištěte na místě s použitím upínacích šroubů. Pravítko také umožňuje opakovaně provádění řezů se stejnou šířkou.

► **Obr.30:** 1. Upínací šroub 2. Pomocná základna

Zapichování (vyřezávání)

VAROVÁNÍ: Abyste zamezili zpětným rázům, dodržujte následující pokyny.

► **Obr.31:** 1. Zadní hrana základny nástroje 2. Pevná záračka

Při použití nástroje bez vodící kolejnice umístěte nástroj na obrobek tak, že bude nástroj zadní hranou proti fixní záračce nebo ekvivalentu zhotovenému obsluhou.

Při použití nástroje s vodící kolejnicí umístěte nástroj na vodící kolejnici tak, že bude nástroj zadní hranou proti fixní záračce nebo ekvivalentu uchycenému na vodící kolejnici.

Držte nářadí pevně jednou rukou za přední rukojeť a druhou rukou za držadlo. Poté zamáčkněte odjišťovací tlačítko, nástroj zapněte a počkejte, dokud kotouč nedosáhne plných otáček. Nyní pomalu tlače dolů hlavu pily na přednastavenou hloubku řezu a jednoduše posunujte nástroj dopředu do požadované polohy zapichování.

POZNÁMKA: Značky po stranách krytu kotouče zobrazují přední a zadní body řezání pilového kotouče s maximální hloubkou řezu při používání vodící kolejnice.

► **Obr.32:** 1. Přední bod řezání 2. Zadní bod řezání

Vodící přípravek

Volitelné příslušenství

Použití úkosového vodítka umožňuje přesný úhlový pokosový řez a práci na armaturách.

Použití upínky zajišťuje pevné uchycení obrobku na stole.

FUNKCE BEZDRÁTOVÉ AKTIVACE

Pouze pro model DSP601

Co lze provádět s funkcí bezdrátové aktivace

Funkce bezdrátové aktivace umožňuje čistý a pohodlný provoz. Pomocí připojení podporovaného vysavače k nástroji můžete automaticky používat vysavač při aktivaci spouště nástroje.

► Obr.33

K použití funkce bezdrátové aktivace si připravte následující položky:

- Bezdrátová jednotka (volitelné příslušenství)
- Vysavač s podporou funkce bezdrátové aktivace

Přehled nastavení funkce bezdrátové aktivace je následující. Podrobné postupy najdete v příslušné části.

1. Instalace bezdrátové jednotky
2. Registrace nástroje pro vysavač
3. Spuštění funkce bezdrátové aktivace

Instalace bezdrátové jednotky

Volitelné příslušenství

⚠ UPOZORNĚNÍ: Při instalaci bezdrátové jednotky umístěte nástroj na plochý a stabilní povrch.

POZOR: Před instalací bezdrátové jednotky očistěte nástroj od prachu a nečistot. Pokud se prach a nečistoty dostanou do drážky bezdrátové jednotky, mohou způsobit poruchu.

POZOR: Aby se zabránilo poruchám způsobeným statickou elektřinou, před uchopením bezdrátové jednotky se dotkněte materiálu pro vybití statické elektřiny, jako je třeba kovový díl nástroje.

POZOR: Při instalaci bezdrátové jednotky se vždy ujistěte, že je bezdrátová jednotka vložena ve správné poloze a kryt je kompletně uzavřen.

1. Otevřete kryt nástroje podle znázornění na obrázku.

► Obr.34: 1. Kryt

2. Vložte bezdrátovou jednotku do drážky a zavřete kryt.

Při vložení bezdrátové jednotky zarovnejte výčnělky s prohlubněmi na drážce.

► Obr.35: 1. Bezdrátová jednotka 2. Výčnělek 3. Kryt 4. Prohlubeň

Při demontáži bezdrátové jednotky pomalu otevřete kryt. Háčky na zadní straně krytu vytáhnou bezdrátovou jednotku, jakmile kryt odklopíte.

► Obr.36: 1. Bezdrátová jednotka 2. Háček 3. Kryt

Po vyjmutí uchovávejte bezdrátovou jednotku v dodávaném pouzdru nebo antistatickém obalu.

POZOR: Při vyjímání bezdrátové jednotky vždy použijte háčky na zadní straně krytu. Pokud háčky nezachytí bezdrátovou jednotku, kryt zcela zavřete a znovu ho pomalu otevřete.

Registrace nástroje pro vysavač

POZNÁMKA: Pro registraci nástroje je vyžadován vysavač Makita s podporou funkce bezdrátové aktivace.

POZNÁMKA: Před zahájením registrace nástroje dokončete instalaci bezdrátové jednotky.

POZNÁMKA: Během registrace nástroje nestlačujte spoušť ani nezapínajte vypínač vysavače.

POZNÁMKA: Viz také návod k obsluze vysavače.

Pokud chcete aktivovat vysavač při stisknutí spouště nástroje, dokončete předtím registraci nástroje.

1. Instalujte baterie do vysavače a nástroje.
2. Nastavte přepínač pohotovostního režimu na vysavači do polohy AUTO.

► Obr.37: 1. Přepínač pohotovostního režimu

3. Stiskněte tlačítko aktivace bezdrátové funkce na vysavači po dobu 3 sekund, dokud se indikátor bezdrátové aktivace nerozsvítí zeleně. Potom stejně postupujte u tlačítka bezdrátové aktivace na nástroji.

► Obr.38: 1. Tlačítko bezdrátové aktivace 2. Indikátor bezdrátové aktivace

Po úspěšném propojení vysavače a nástroje se na 2 sekundy zeleně rozsvítí indikátory bezdrátové aktivace a pak začnou modře blikat.

POZNÁMKA: Indikátory bezdrátové aktivace přestanou zeleně blikat po uplynutí 20 sekund. Stiskněte tlačítko bezdrátové aktivace na nástroji, dokud indikátor bezdrátové aktivace na vysavači bliká. Pokud indikátor bezdrátové aktivace neblíká zeleně, krátce stiskněte tlačítko bezdrátové aktivace a znovu ho přidržte stisknuté.

POZNÁMKA: Když provádíte dvě a více registrací nástroje pro jeden vysavač, proveďte registraci nástroje jednotlivě.

Spuštění funkce bezdrátové aktivace

POZNÁMKA: Registraci nástroje pro vysavač dokončete před bezdrátovou aktivací.

POZNÁMKA: Viz také návod k obsluze vysavače.

Po registraci nástroje k vysavači se vysavač automaticky spustí při sepnutí spouště nástroje.

1. Instalujte bezdrátovou jednotku do nástroje.

2. Propojte hadici vysavače s nástrojem.

► **Obr.39**

3. Nastavte přepínač pohotovostního režimu na vysavači do polohy AUTO.

► **Obr.40:** 1. Přepínač pohotovostního režimu

4. Krátce stiskněte tlačítko bezdrátové aktivace na nástroji. Indikátor bezdrátové aktivace bude blikat modře.

► **Obr.41:** 1. Tlačítko bezdrátové aktivace 2. Indikátor bezdrátové aktivace

5. Stiskněte spoušť nástroje. Zkontrolujte, zda je vysavač při stisknutí spouště nástroje spuštěný.

Pokud chcete zastavit bezdrátovou aktivaci vysavače, stiskněte tlačítko bezdrátové aktivace nástroje.

POZNÁMKA: Indikátor bezdrátové aktivace na nástroji přestane blikat modře po 2 hodinách nečinnosti nástroje. V takovém případě nastavte přepínač pohotovostního režimu na vysavači do polohy AUTO a znovu stiskněte tlačítko pro aktivaci na nástroji.

POZNÁMKA: Vysavač se spustí/zastaví se zpožděním. Je tu určitá časová prodleva, než vysavač detekuje stisknutí spouště nástroje.




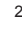





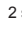



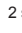

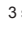
POZNÁMKA: Přenosová vzdálenost bezdrátové jednotky se může lišit v závislosti na umístění a podmínkách prostředí.

POZNÁMKA: Když je k jednomu vysavači registrováno více nástrojů, může se vysavač spustit, i když nestisknete spoušť, když jiný uživatel použije funkci bezdrátové aktivace.

Popis stavu indikátoru bezdrátové aktivace

► **Obr.42:** 1. Indikátor bezdrátové aktivace

Indikátor bezdrátové aktivace zobrazuje stav funkce bezdrátové aktivace. Vysvětlení stavu indikátorů najdete v následující tabulce.

Stav	Indikátor bezdrátové aktivace				Popis
	Barva	 Svítí	 Bliká	Trvání	
Pohotovostní režim	Modrá			2 hodiny	Je dostupná bezdrátová aktivace vysavače. Indikátor automaticky zhasne po 2 hodinách nečinnosti.
				Při spuštění nástroje.	Bezdrátová aktivace vysavače je dostupná a nástroj je spuštěn.
Registrace nástroje	Zelená			20 sekund	Připraveno k registraci nástroje. Čeká se na registraci vysavačem.
				2 sekundy	Registrace nástroje byla dokončena. Indikátor bezdrátové aktivace začne blikat modře.
Rušení registrace nástroje	Červená			20 sekund	Připraveno zrušení registrace nástroje. Čeká se na zrušení od vysavače.
				2 sekundy	Zrušení registrace nástroje bylo dokončeno. Indikátor bezdrátové aktivace začne blikat modře.
Jiné	Červená			3 sekundy	Bezdrátová jednotka je napájena a funkce bezdrátové aktivace se spouští.
		Nesvítí	-	-	Bezdrátová aktivace vysavače byla zastavena.

Rušení registrace nástroje pro vysavač

Při rušení registrace nástroje pro vysavač postupujte takto.

1. Instalujte baterie do vysavače a nástroje.

2. Nastavte přepínač pohotovostního režimu na vysavači do polohy AUTO.

► **Obr.43:** 1. Přepínač pohotovostního režimu

3. Stiskněte tlačítko bezdrátové aktivace na vysavači na dobu 6 sekund. Indikátor bezdrátové aktivace bliká zeleně a pak svítí červeně. Potom stejným způsobem stiskněte tlačítko bezdrátové aktivace na nástroji.

► **Obr.44:** 1. Tlačítko bezdrátové aktivace 2. Indikátor bezdrátové aktivace

Po úspěšném zrušení se na 2 sekundy červeně rozsvítí indikátory bezdrátové aktivace a pak začnou modře blikat.

POZNÁMKA: Indikátory bezdrátové aktivace přestanou červeně blikat po uplynutí 20 sekund. Stiskněte tlačítko bezdrátové aktivace na nástroji, dokud indikátor bezdrátové aktivace na vysavači bliká. Pokud indikátor bezdrátové aktivace neblíká červeně, krátce stiskněte tlačítko bezdrátové aktivace a znovu ho přidržte stisknuté.

Odstraňování problémů funkce bezdrátové aktivace

Před žádostí o opravu proveďte nejprve prohlídku sami. Narazíte-li na problém, jenž v této příručce není vysvětlen, nepouštějte se do demontáže zařízení. Požádejte o pomoc některé z autorizovaných servisních středisek Makita, kde k opravám vždy používají náhradní díly Makita.

Problém	Pravděpodobná příčina (porucha)	Náprava
Indikátor bezdrátové aktivace nesvítí/nebliká.	Bezdrátová jednotka není instalována v nástroji. Bezdrátová jednotka není správně instalována v nástroji.	Proveďte správnou instalaci bezdrátové jednotky.
	Svorka na bezdrátové jednotce nebo drážka jsou znečištěné.	Opatrně otřete prach na svorce bezdrátové jednotky a vyčistěte drážku.
	Tlačítko bezdrátové aktivace na nástroji nebylo stlačeno.	Krátce stiskněte tlačítko bezdrátové aktivace na nástroji.
	Přepínač pohotovostního režimu vysavače není nastaven do polohy AUTO.	Nastavte přepínač pohotovostního režimu na vysavači do polohy AUTO.
	Chybí zdroj napájení	Připojte napájení k nástroji a vysavači.
Nelze dokončit registraci nástroje / zrušit registraci nástroje.	Bezdrátová jednotka není instalována v nástroji. Bezdrátová jednotka není správně instalována v nástroji.	Proveďte správnou instalaci bezdrátové jednotky.
	Svorka na bezdrátové jednotce nebo drážka jsou znečištěné.	Opatrně otřete prach na svorce bezdrátové jednotky a vyčistěte drážku.
	Přepínač pohotovostního režimu vysavače není nastaven do polohy AUTO.	Nastavte přepínač pohotovostního režimu na vysavači do polohy AUTO.
	Chybí zdroj napájení	Připojte napájení k nástroji a vysavači.
	Nesprávná operace	Krátce stiskněte tlačítko bezdrátové aktivace a opakujte postupy registrace/zrušení.
	Nástroj a vysavač jsou daleko od sebe (mimo dosah vysílání).	Přesuňte nástroj a vysavač blíž k sobě. Maximální přenosová vzdálenost je přibližně 10 m. To se ale může lišit v závislosti na podmínkách.
	Před dokončením registrace/zrušení: – spoušť nástroje je stisknuta nebo – vypínač vysavače je zapnutý.	Krátce stiskněte tlačítko bezdrátové aktivace a opakujte postupy registrace/zrušení.
	Registrace nástroje pro vysavač nebo nástroj nebyly dokončeny.	Proveďte registraci nástroje a vysavače se stejným načasováním.
	Rušení bezdrátového přenosu ze strany jiných zařízení, která generují silné rádiové vlny.	Nástroj a vysavač je potřeba uchovávat dál od zařízení, jako jsou zařízení Wi-Fi a mikrovlnné trouby.
Vysavač se nespustí při stisknutí spouště nástroje.	Bezdrátová jednotka není instalována v nástroji. Bezdrátová jednotka není správně instalována v nástroji.	Proveďte správnou instalaci bezdrátové jednotky.
	Svorka na bezdrátové jednotce nebo drážka jsou znečištěné.	Opatrně otřete prach na svorce bezdrátové jednotky a vyčistěte drážku.
	Tlačítko bezdrátové aktivace na nástroji nebylo stlačeno.	Krátce stiskněte tlačítko pro bezdrátovou aktivaci a ujistěte se, že indikátor bezdrátové aktivace bliká modře.
	Přepínač pohotovostního režimu vysavače není nastaven do polohy AUTO.	Nastavte přepínač pohotovostního režimu na vysavači do polohy AUTO.
	K vysavači je registrováno více než 10 nástrojů.	Opakujte registraci nástroje. Pokud je k vysavači registrováno více než 10 nástrojů, dojde k automatickému zrušení nejstarší registrace.
	Vysavač vymazal všechny registrace nástrojů.	Opakujte registraci nástroje.
	Chybí zdroj napájení	Připojte napájení k nástroji a vysavači.
	Nástroj a vysavač jsou daleko od sebe (mimo dosah vysílání).	Přesuňte nástroj a vysavač blíž k sobě. Maximální přenosová vzdálenost je přibližně 10 m. To se ale může lišit v závislosti na podmínkách.
	Rušení bezdrátového přenosu ze strany jiných zařízení, která generují silné rádiové vlny.	Nástroj a vysavač je potřeba uchovávat dál od zařízení, jako jsou zařízení Wi-Fi a mikrovlnné trouby.
Vysavač se spustí, ačkoli nebyla stisknuta spoušť nástroje.	Jiní uživatelé bezdrátové aktivují vysavač pomocí svých nástrojů.	Vypněte tlačítko bezdrátové aktivace u ostatních nástrojů nebo zrušte registraci ostatních nástrojů.

ÚDRŽBA

⚠️ UPOZORNĚNÍ: Před zahájením kontroly nebo údržby nářadí se vždy ujistěte, zda je vypnuté a je vyjmut akumulátor.

⚠️ UPOZORNĚNÍ: Očistěte kryt, aby nedocházelo ke hromadění pilin, jež by mohly bránit funkci krytového systému. Znečištěný krytový systém může omezovat správnou funkčnost, což může mít za následek vážné zranění. Nejúčinnějším způsobem čištění je použití stlačeného vzduchu. **Při odstraňování pilin z krytu stlačeným vzduchem použijte správné prostředky k ochraně zraku a dýchacích cest.**

POZOR: Nikdy nepoužívejte benzín, benzen, ředidlo, alkohol či podobné prostředky. Mohlo by tak dojít ke změnám barvy, deformacím či vzniku prasklin.

Prizpůsobení přesnosti řezu pod úhlem 0° a 45°

POZOR: Při seřizování přesnosti řezu v úhlu 0° nevysunujte páčky pro úkosový řez v úhlu -1°.

POZOR: Při seřizování přesnosti řezu v úhlu 45° nevysunujte páčku pro úkosový řez v úhlu 48°.

Tato seřízení byla provedena při výrobě. Pokud jsou však nevázané, můžete je seřídít následujícím postupem.

1. Lehce povolte upínací šrouby na přední a zadní straně nářadí.
2. Nastavte úhel kotouče.
► **Obr.45:** 1. Trojúhelníkové pravítko

Při seřizování přesnosti řezu v úhlu 0° nastavte základnu kolmo ke kotouči s použitím trojúhelníkového pravítka, čtvercového pravítka atd. pomocí otočení seřizovacího šroubu.

- **Obr.46:** 1. Seřizovací šroub pro řez pod úhlem 0°

Při seřizování přesnosti řezu v úhlu 45° nastavte základnu v úhlu 45° vůči kotouči s použitím trojúhelníkového pravítka pomocí otočení seřizovacího šroubu.

- **Obr.47:** 1. Seřizovací šroub pro řez pod úhlem 45°

3. Utáhněte upínací šrouby a proveďte kontrolní řez.

K zachování BEZPEČNOSTI a SPOLEHLIVOSTI výrobku musí být opravy a veškerá další údržba či seřizování prováděny autorizovanými nebo továrními servisními středisky společnosti Makita s využitím náhradních dílů Makita.

VOLITELNÉ PŘÍSLUŠENSTVÍ

⚠️ UPOZORNĚNÍ: Pro nářadí Makita popsané v tomto návodu doporučujeme používat následující příslušenství a nástavce. Při použití jiného příslušenství či nástavců může hrozit nebezpečí zranění osob. Příslušenství lze používat pouze pro stanovené účely.

Potřebujete-li bližší informace ohledně tohoto příslušenství, obraťte se na místní servisní středisko společnosti Makita.

- Kotouč okružní pily
- Pomocná základna
- Šestihřanný klíč
- Vodicí kolejniče
- Úkosové vodičko
- Svorka
- Podložka
- Gumová podložka
- Polohová deska
- Bezdrátová jednotka (model DSP601)
- Originální akumulátor a nabíječka Makita

POZNÁMKA: Některé položky seznamu mohou být k nářadí přibaleny jako standardní příslušenství. Přibalené příslušenství se může v různých zemích lišit.

ТЕХНІЧНІ ХАРАКТЕРИСТИКИ

Модель:		DSP600	DSP601
Діаметр диска		165 мм	
Макс. глибина різання	Під кутом 0°	56 мм	
	Під кутом 45°	40 мм	
	Під кутом 48°	38 мм	
Швидкість холостого ходу		2 500—6 300 хв ⁻¹	
Загальна довжина		346 мм	
Номінальна напруга		36 В пост. струму	
Касета з акумулятором		BL1815N, BL1820, BL1820B, BL1830, BL1830B, BL1840, BL1840B, BL1850, BL1850B, BL1860B	
Зарядний пристрій		DC18RC, DC18RD, DC18SD, DC18SE, DC18SF	
Чиста вага		4,4—5,1 кг	

- Оскільки наша програма наукових досліджень і розробок триває безперервно, наведені тут технічні характеристики можуть бути змінені без попередження.
- Технічні характеристики приладу та касета з акумулятором можуть відрізнятися в різних країнах.
- Вага може відрізнятися залежно від допоміжного обладнання, наприклад касети з акумулятором. Найлегші та найважчі комплекти, відповідно до стандарту ЕРТА (Європейська асоціація виробників електроінструменту) від січня 01/2014 року, представлено в таблиці.

Призначення

Інструмент призначено для врізання. Інструмент також призначено для поздовжнього та перехресного різання деревини. Якщо інструмент оснащено спеціальним диском циркулярної пили, його можна використовувати для різання алюмінію, пластику, мінералів, що містять пластик, і подібних матеріалів.

Шум

Рівень шуму за шкалою А в типовому виконанні, визначений відповідно до стандарту EN62841:

Модель DSP600

Рівень звукового тиску (L_{pA}): 92 дБ (А)

Рівень звукової потужності (L_{WA}): 103 дБ (А)

Похибка (К): 3 дБ (А)

Модель DSP601

Рівень звукового тиску (L_{pA}): 92 дБ (А)

Рівень звукової потужності (L_{WA}): 103 дБ (А)

Похибка (К): 3 дБ (А)

⚠ ПОПЕРЕДЖЕННЯ: Користуйтеся засобами захисту органів слуху.

Вібрація

Загальна величина вібрації (векторна сума трьох напрямків) визначена згідно з EN62841:

Модель DSP600

Режим роботи: пиляння деревини

Вібрація ($a_{h,w}$): 2,5 м/с² або менше

Похибка (К): 1,5 м/с²

Режим роботи: різання металу

Вібрація ($a_{h,m}$): 2,5 м/с² або менше

Похибка (К): 1,5 м/с²

Модель DSP601

Режим роботи: пиляння деревини

Вібрація ($a_{h,w}$): 2,5 м/с² або менше

Похибка (К): 1,5 м/с²

Режим роботи: різання металу

Вібрація ($a_{h,m}$): 2,5 м/с² або менше

Похибка (К): 1,5 м/с²

ПРИМІТКА: Заявлене значення вібрації було виміряно відповідно до стандартних методів тестування та може використовуватися для порівняння одного інструмента з іншим.

ПРИМІТКА: Заявлене значення вібрації може також використовуватися для попередньої оцінки впливу.

⚠ ПОПЕРЕДЖЕННЯ: Залежно від умов використання вібрація під час фактичної роботи електроінструмента може відрізнятися від заявленого значення вібрації.

⚠ ПОПЕРЕДЖЕННЯ: Забезпечте належні запобіжні заходи для захисту оператора, що відповідатимуть умовам використання інструмента (слід брати до уваги всі складові робочого циклу, такі як час, коли інструмент вимкнено та коли він починає працювати на холостому ході під час запуску).

Декларація про відповідність стандартам ЄС

Тільки для країн Європи

Декларацію про відповідність стандартам ЄС наведено в Додатку А до цієї інструкції з експлуатації.

ПОПЕРЕДЖЕННЯ ПРО ДОТРИМАННЯ ТЕХНІКИ БЕЗПЕКИ

Загальні застереження щодо техніки безпеки при роботі з електроінструментами

▲ ПОПЕРЕДЖЕННЯ: Уважно ознайомтеся з усіма попередженнями про дотримання правил техніки безпеки, інструкціями, ілюстраціями та технічними характеристиками, що стосуються цього електроінструмента. Невиконання будь-яких інструкцій, перелічених нижче, може призвести до ураження електричним струмом, пожежі та/або тяжких травм.

Збережіть усі інструкції з техніки безпеки та експлуатації на майбутнє.

Термін «електроінструмент», зазначений у інструкції з техніки безпеки, стосується електроінструмента, який функціонує від електромережі (електроінструмент з кабелем живлення), або електроінструмента з живленням від батареї (безпроводний електроінструмент).

Попередження про небезпеку під час роботи з бездротовою циркулярною пилою.

Порядок експлуатації

1. **▲ НЕБЕЗПЕЧНО!** Завжди тримайте руки на відстані від зони різання та полотна. Тримайте другу руку на допоміжній ручці або кожусі двигуна. Якщо тримати інструмент обома руками, їх неможливо буде порізати об полотно.
2. **Забороняється простягати руки нижче деталі.** Кожух не захищає від полотна внизу деталі.
3. **Необхідно відрегулювати глибину різання відповідно до товщини деталі.** Щонайменше один зубець полотна має бути повністю видно внизу деталі.
4. **Забороняється під час різання тримати деталь у руках або на колінах. Необхідно закріпити деталь на стійкій поверхні.** Дуже важливо забезпечити належну опору робочого місця, щоб звести до мінімуму вплив на тіло, заїдання полотна та втрату керування.

► Рис. 1

5. **Тримайте електроінструмент за ізольовані поверхні держака під час виконання дії, за якої різальний інструмент може зачепити приховану електропроводку або власний шнур.** Торкання дроту під напругою може призвести до передавання напруги до металевих частин електроінструмента та до ураження оператора електричним струмом.

6. **Під час поздовжнього пиляння обов'язково використовуйте напрямну планку або пряму лінійку.** Це покращить точність різання та зменшить імовірність заїдання полотна.
7. **Обов'язково використовуйте полотна зі шпindelними отворами відповідного розміру та форми (ромбічні або круглі).** Полотно, що не відповідають приладдю для кріплення пили, працюватимуть ексцентрично, що призведе до втрати контролю.
8. **Заборонено використовувати пошкоджені або невідповідні шайби та болти для полотна.** Шайби та болти полотна спеціально розроблені для цієї пили для забезпечення оптимальних робочих характеристик та безпечної експлуатації.

Причини віддачі та відповідні попередження:

- Віддача — це несподівана реакція затиснутого, застряглого або зміщеного диска пили, що призводить до неконтрольованого вистрілювання пили вгору та з деталі в напрямку до оператора.
- Коли диск затиснуло або щільно заїло в пропили, він зупиняється, а працюючий двигун призводить до швидкого відкидання пристрою до оператора.
- якщо полотно закрутилося або змістилося в проріз, зубець заднього краю полотна може встроїтися у верхню поверхню деревини, що в свою чергу призведе до виходу полотна із пропили та відсакуванню його до оператора.

Причинами віддачі є неправильне користування пилою та/або неправильний порядок або умови експлуатації. Її можна уникнути, дотримуючись запобіжних заходів, наведених нижче.

1. **Необхідно міцно обома руками тримати пилу за ручку та розмістити руки таким чином, щоб протистояти зусиллю віддачі.** Необхідно зайняти положення з будь-якого боку полотна, але не на одній лінії з ним. У разі віддачі пила відскочить назад, але оператор зможе контролювати зусилля віддачі, якщо буде вжито всіх запобіжних заходів.
2. **У разі заїдання полотна або переривання різання з будь-яких причин потрібно відпустити курок та утримувати пилу в матеріалі нерухомо до повної зупинки полотна. Ні в якому разі не можна намагатися виняти пилу з деталі або витягти її під час руху полотна — це може спричинити віддачу.** Ретельно огляньте пилу та виконайте необхідні дії з усунення причини заїдання полотна.
3. **Під час повторного встановлення пили на деталь необхідно відцентрувати диск пили в пропили так, щоб зубці пили не зачепилися за матеріал.** Якщо диск пили затиснуло, він може вийти або зіскочити з деталі під час повторного ввімкнення пили.
4. **Необхідно забезпечити опору великих панелей, щоб мінімізувати ризик защемлення полотна та віддачі.** Великі панелі прогинаються під своєю вагою. Необхідно розташувати опору з обох боків панелі, біля лінії різання та біля краю панелі.

► Рис.2

► Рис.3

5. Не можна користуватися тупими або пошкодженими полотнами. Незагострені або неправильно встановлені полотна роблять вузький пропили, що призводить до надмірного тертя, заїдання полотна або віддачі.
6. Перед початком різання необхідно затягнути та закріпити затиснік вавелі регулювання глибини та нахилу полотна. Зміщення регулювання полотна під час різання може призвести до заїдання або віддачі.
7. Необхідна особлива обережність під час врізання в наявні стіни або інші невидимі зони. Виступаюче полотно може зіткнутися з предметами, що спричиняють віддачу.
8. **ОБОВ'ЯЗКОВО** міцно тримайте інструмент обома руками. **НІ В ЯКОМУ РАЗІ** не кладіть руку, ногу чи будь-яку частину тіла нижче основи інструмента або позаду пили, особливо під час поперечного різання. У разі віддачі пила може просто перескочити через руку та спричинити серйозну травму.

► Рис.4

9. Ні в якому разі не прикладайте силу до пили. Натискайте на пилу вперед із такою швидкістю, щоб полотно різало, не зменшуючи швидкості. Прикладання сили до пили може призвести до нерівного прорізу, втрати точності та можливої віддачі.

Функція захисного кожуха

1. Щоразу перед початком роботи слід перевіряти належне закриття захисного кожуха. Не починайте роботу, якщо захисний кожух не рухається вільно й одразу не закриває диск. Ні в якому разі не затискайте й не затягуйте захисний кожух таким чином, щоб диск був відкритий. Якщо пила випадково впаде, захисний кожух може погнути. Переконайтеся, що захисний кожух вільно рухається й не торкається диска або інших деталей за роботи під будь-яким кутом і з будь-якою глибиною різання.
2. Перевірте функціонування та стан пружини повернення захисного кожуха. У разі неналежного функціонування захисного кожуха та пружини їх необхідно відремонтувати перед використанням. Захисний кожух може працювати повільно за наявності пошкоджених частин, клейких відкладень або накопичення сміття.
3. Слід забезпечити нерухомість основи пили під час врізання. Зміщення диска вбік призведе до заїдання і, ймовірно, до віддачі.
4. Перш ніж класти пилу на верстат або підлогу, обов'язково простежте, щоб захисний кожух покривав диск. Незахищений диск, що рухається за інерцією, призведе до руху пили назад, при цьому вона різатиме будь-які предмети на своєму шляху. Слід пам'ятати, що після відпускання вмикача диску потрібен деякий час для повної зупинки.

Додаткові попередження про необхідну обережність

1. Виявляйте особливу обережність під час різання сиріої деревини, лісоматеріалу, обробленого під тиском, або сучкуватої деревини. Плавню просувайте інструмент уперед, не зменшуючи швидкості полотна, щоб уникнути перегрівання зубців або плавлення пластмаси під час її різання.
2. Не намагайтеся забирати відрізаний матеріал під час руху полотна. Зачекайте до зупинки полотна, перш ніж брати відрізаний матеріал. Полотна рухаються за інерцією після вимкнення.
3. Уникайте різання цвяхів. Перед початком роботи огляньте лісоматеріал та видаліть із нього всі цвяхи.
4. Розташуйте ширшу частину основи пили на тій частині деталі, що має надійну опору, а не на тій, яка відпаде після різання. Короткі або малі деталі необхідно притискати. **ЗАБОРОНЕНО ТРИМАТИ КОРОТКІ ДЕТАЛІ РУКАМИ!**

► Рис.5

5. Перед тим як відставляти інструмент після завершення різання, переконайтеся, що захисний кожух закритий і полотно повністю зупинилося.
6. Ні в якому разі не намагайтеся різати затиснутою лещатами перевернутою циркулярною пилою. Це дуже небезпечно та може призвести до тяжких нещасних випадків.

► Рис.6

7. Деякі матеріали містять токсичні хімічні речовини. Будьте обережні, щоб не допустити вдихання пилу та його контакту зі шкірою. Дотримуйтеся правил техніки безпеки виробника матеріалу.
8. Заборонено зупиняти полотна, прикладаючи боковий тиск до ріжучого полотна.
9. Заборонено використовувати абразивні диски.
10. Використовуйте тільки ріжуче полотно, що має діаметр, зазначений на інструменті або вказаний в інструкції з експлуатації. Використання полотна невідповідного розміру може завдати належному захисту полотна або функціонуванню захисного кожуха, що можуть призвести до серйозних травм.
11. Полотно має бути гострим та чистим. Деревний пек та смола, застигли на полотнах, сповільнюють пилу та збільшують ризик віддачі. Підтримуйте чистоту полотна. Для цього зніміть його з інструмента, а потім очистіть за допомогою засобу для видалення смоли, гарячої води або гасу. Використовувати бензин заборонено.
12. Під час користування інструментом використовуйте пилозахисну маску та засоби захисту органів слуху.
13. Завжди використовуйте диск пили, що призначений для різання саме того матеріалу, який ви збираєтеся різати.
14. Використовуйте тільки такі диски пили, на яких узказана швидкість дорівнює швидкості, зазначеній на інструменті, або є більшою за неї.

15. (Тільки для країн Європи.)
Завжди використовуйте диск, що відповідає стандарту EN847-1.

ЗБЕРІГАЙТЕ ЦІ ВКАЗІВКИ.

▲ПОПЕРЕДЖЕННЯ: НІКОЛИ НЕ втрачайте пильності та не розслабляйтеся під час користування виробом (що можливо при частому користуванні); обов'язково строго дотримуйтеся відповідних правил безпеки. **НЕНАЛЕЖНЕ ВИКОРИСТАННЯ** або недотримання правил безпеки, викладених у цій інструкції з експлуатації, може призвести до серйозних травм.

Важливі інструкції з безпеки для касети з акумулятором

1. Перед тим як користуватися касетою з акумулятором, слід прочитати всі інструкції та застережні знаки щодо (1) зарядного пристрою акумулятора, (2) акумулятора та (3) виробів, що працюють від акумулятора.
2. Не слід розбирати касету з акумулятором.
3. Якщо період роботи дуже покоротшав, слід негайно припинити користування. Це може призвести до виникнення ризику перегріву, опіку та навіть вибуху.
4. У разі потрапляння електроліту в очі слід промити їх чистою водою та негайно звернутися до лікаря. Це може призвести до втрати зору.
5. Не закоротіть касету з акумулятором.
 - (1) Не слід торкатися клем будь-яким струмопровідним матеріалом.
 - (2) Не слід зберігати касету з акумулятором у ємності з іншими металевими предметами, такими як цвяхи, монети тощо.
 - (3) Не залишайте касету з акумулятором під дощем, запобігайте контакту з водою.Коротке замикання може призвести до появи значного струму, перегріву, можливих опіків та навіть виходу з ладу.
6. Не слід зберігати інструмент та касету з акумулятором в місцях, де температура може сягнути чи перевищити 50°C (122°F).
7. Не слід спалювати касету з акумулятором, навіть якщо вона була неодноразово пошкоджена або повністю спрацьована. Касета з акумулятором може вибухнути у вогні.
8. Не слід кидати або ударяти акумулятор.
9. Не слід використовувати пошкоджений акумулятор.
10. Літій-іонні акумулятори, що містяться в інструменті, мають відповідати вимогам законів про небезпечні товари.
Під час транспортування за допомогою комерційних перевезень, наприклад із залученням третьої сторони та експедиторів, необхідно дотримуватись особливих вимог, вказаних на пакуванні й у маркуванні.
Під час підготування позиції до відправлення необхідно проконсультуватись зі спеціалістом з небезпечних матеріалів. Крім того, слід виконувати більш докладні національні настанови, якщо такі є.

Заклейте відкриті контакти стрічкою або заховайте їх і запакуйте акумулятор таким чином, щоб він не міг рухатися в пакуванні.

11. Дотримуйтеся норм місцевого законодавства щодо утилізації акумуляторів.
12. Використовуйте акумулятори лише з виробами, указаними компанією Makita. Установлення акумуляторів у невідповідні вироби може призвести до пожежі, надмірного нагрівання, вибуху чи витoku електроліту.

ЗБЕРІГАЙТЕ ЦІ ВКАЗІВКИ.

▲ОБЕРЕЖНО: Використовуйте тільки акумулятори Makita. Використання акумуляторів, інших ніж оригінальні акумулятори Makita, або акумуляторів, конструкцію яких було змінено, може призвести до вибуху акумулятора і спричинити пожежу, травму або пошкодження. У зв'язку з цим також буде анульовано гарантію Makita на інструмент Makita і на зарядний пристрій.

Поради з забезпечення максимального строку експлуатації акумулятора

1. Касету з акумулятором слід заряджати до того, як він розрядиться повністю. Завжди слід зупинити роботу інструмента та зарядити акумулятор, якщо ви помітили зменшення потужності інструмента.
2. Ніколи не слід заряджати повторно повністю заряджену касету з акумулятором. Перезарядження скорочує строк експлуатації акумулятора.
3. Заряджайте касету з акумулятором при кімнатній температурі 10°C—40°C (50°F—104°F). Перед тим як заряджати касету з акумулятором, слід зачекати, доки вона охолоне.
4. Якщо касета з акумулятором не використовувалася тривалий час (понад шість місяців), її слід зарядити.

Важливі інструкції з безпеки для бездротового модуля

1. Не розбирайте бездротовий модуль і не намагайтеся втручатися в його роботу.
2. Зберігайте бездротовий модуль у недоступному для дітей місці. При випадковому проковтуванні негайно зверніться до лікаря.
3. Використовуйте бездротовий модуль лише з інструментами Makita.
4. Не тримайте бездротовий модуль під дощем або в умовах підвищеної вологості.
5. Не використовуйте бездротовий модуль у місцях, де температура перевищує 50°C.
6. Не використовуйте бездротовий модуль неподалік від медичних приборів, таких як кардіостимулятори.
7. Не використовуйте бездротовий модуль поруч з автоматизованими пристроями. Таке використання може спричинити збої або помилки в роботі автоматизованих пристроїв.

8. Бездротовий модуль може генерувати електромагнітні поля (ЕМП), нешкідливі для користувача.
9. Бездротовий модуль є точним інструментом. Будьте уважні, щоб не впустити або не вдарити бездротовий модуль.
10. Не торкайтеся контактів бездротового модуля голими руками або металевими предметами.
11. Бездротовий модуль дозволяється встановлювати лише після зняття акумулятора.
12. Не відкривайте кришку відсіку в місцях, де в нього може потрапити пил або вода. Завжди тримайте вхідний отвір відсіку в чистоті.
13. Завжди вставляйте бездротовий модуль правильною стороною.
14. Не натискайте занадто сильно кнопку активації на бездротовому модулі та не робіть це гострим предметом.
15. Під час роботи завжди закривайте кришку відсіку.
16. Не виймайте бездротовий модуль із відсіку, поки на інструмент подається живлення. Це може призвести до несправності бездротового модуля.
17. Не видаляйте наклейку на бездротовому модулі.
18. Не розміщуйте будь-які наклейки на бездротовому модулі.
19. Не залишайте бездротовий модуль під впливом статичної електрики або електричних перешкод.
20. Не залишайте бездротовий модуль під впливом високої температури, наприклад на сидінні автомобіля на сонці.
21. Не залишайте бездротовий модуль у запаленому або заповненому місці або в місці, де може утворитися корозійний газ.
22. Раптова зміна температури може призвести до конденсації вологи на бездротовому модулі. Не використовуйте бензин, розчинник, електропровідне мастило тощо.
23. Під час чищення бездротового модуля обережно протирайте його сухою м'якою тканиною. Не використовуйте бензин, розчинник, електропровідне мастило тощо.
24. Зберігайте бездротовий модуль в упаковці з комплекту постачання або в контейнері, захищеному від дії статичної електрики.
25. Не вставляйте у відсік інструмента будь-які інші пристрої, крім бездротового модуля Makita.
26. Не використовуйте інструмент із пошкодженою кришкою відсіку. Потраплення у відсік води, пилу та бруду може привести до несправності.
27. Не тягніть і не скручуйте кришку відсіку більше, ніж необхідно. Установіть кришку на місце, якщо вона від'єдналася від інструмента.
28. Замініть кришку відсіку, якщо її було загнуто або пошкоджено.

ЗБЕРІГАЙТЕ ЦІ ВКАЗІВКИ.

ОПИС РОБОТИ

⚠ОБЕРЕЖНО: Обов'язково переконайтеся, що прилад вимкнено, а касету з акумулятором знято, перед регулюванням або перевіркою функціонування інструмента.

Встановлення та зняття касети з акумулятором

⚠ОБЕРЕЖНО: Завжди вимикайте інструмент перед встановленням або зняттям касети з акумулятором.

⚠ОБЕРЕЖНО: Під час встановлення або зняття касети з акумулятором слід міцно тримати інструмент та касету з акумулятором.

Якщо ви утримуватимете інструмент та касету з акумулятором недостатньо міцно, вони можуть вислизнути з рук, що може призвести до пошкодження інструмента та касети з акумулятором або може спричинити травми.

► **Рис.7:** 1. Червоний індикатор 2. Кнопка 3. Касета з акумулятором

Щоб зняти касету з акумулятором, слід витягнути її з інструмента, натиснувши на кнопку в передній частині касети.

Щоб установити касету з акумулятором, слід сумістити виступ на касеті з акумулятором із пазом у корпусі та вставити касету на місце. Її необхідно вставити повністю, аж доки не почуєте клацання. Якщо на верхній частині кнопки помітний червоний індикатор, це означає, що касета з акумулятором установлена не до кінця.

⚠ОБЕРЕЖНО: Завжди вставляйте касету з акумулятором повністю, аж поки червоний індикатор стане невидимим. Якщо цього не зробити, касета може випадково випасти з інструмента та завдати травми вам або людям, що знаходяться поряд.

⚠ОБЕРЕЖНО: Не встановлюйте касету з акумулятором із зусиллям. Якщо касета не вставляється легко, то це означає, що ви її неправильно вставляєте.

ПРИМІТКА: Інструмент не працює, якщо вставлено тільки одну касету з акумулятором.

Система захисту інструмента/ акумулятора

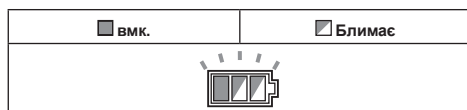
Інструмент оснащено системою захисту інструмента/ акумулятора. Ця система автоматично вимикає живлення двигуна з метою збільшення терміну служби інструмента та акумулятора. Інструмент автоматично зупиняється під час роботи, якщо він або акумулятор перебувають у зазначених нижче умовах. За певних умов загоряються індикатори.

Захист від перевантаження

Якщо інструмент використовується в умовах надмірного споживання струму, він автоматично зупиняється. У такому разі вимкніть інструмент і припиніть роботу, під час виконання якої інструмент зазнав перевантаження. Щоб перезапустити інструмент, увімкніть його знову.

Захист від перегрівання

У разі перегрівання інструмент автоматично зупиняється, а індикатор акумулятора блимає приблизно 60 секунд. У такій ситуації зачекайте, поки інструмент охолоне, перш ніж знову його увімкнути.



Захист від надмірного розрядження

Коли заряд акумулятора стає замалим, інструмент автоматично зупиняється. Якщо інструмент не працює, навіть коли задіяні вмикачі, необхідно витягнути з інструмента акумулятори та зарядити їх.

Відображення залишкового заряду акумулятора

► **Рис.8:** 1. Індикатор акумулятора (для верхнього акумулятора) 2. Кнопка перевірки 3. Індикатор акумулятора (для нижнього акумулятора)

Натисніть кнопку перевірки для відображення залишкового ресурсу акумулятора. Індикатори акумулятора відносяться до кожного акумулятора.

Стан індикатора акумулятора			Залишок заряду акумулятора
вмк.	Вимк.	Блимає	
			Від 50 до 100%
			Від 20 до 50%
			Від 0 до 20%
			Зарядіть акумулятор

Відображення залишкового заряду акумулятора

Тільки для касет з акумулятором, які мають індикатори

► **Рис.9:** 1. Індикаторні лампи 2. Кнопка перевірки

Натисніть кнопку перевірки на касеті з акумулятором для відображення залишкового ресурсу акумулятора. Індикаторні лампи загоряться на кілька секунд.

Індикаторні лампи			Залишковий ресурс
Горить	Вимк.	Блимає	
			від 75 до 100%
			від 50 до 75%
			від 25 до 50%
			від 0 до 25%
			Зарядіть акумулятор.
			Можливо, акумулятор вийшов з ладу.

ПРИМІТКА: Залежно від умов використання та температури оточуючого середовища показання можуть незначним чином відрізнятися від дійсного ресурсу.

Функція автоматичної зміни швидкості

ПРИМІТКА: Функція автоматичної зміни швидкості працює тільки тоді, коли диск регулювання швидкості встановлений у положення 5.

Цей інструмент має «режим високої швидкості» та «режим високого крутного моменту».

Інструмент змінює режим роботи автоматично залежно від робочого навантаження. За невеликого робочого навантаження інструмент працюватиме в режимі високої частоти обертання для швидкого різання. Якщо ж навантаження стане високим, інструмент перейде в режим високого крутного моменту для збільшення потужності під час різання.

► **Рис.10:** 1. Індикатор режиму

Коли інструмент працює в режимі високого крутного моменту, індикатор режиму загоряється зеленим кольором.

Якщо інструмент працює з надмірним навантаженням, індикатор режиму буде блимати зеленим кольором. Індикатор режиму перестає блимати, а потім загоряється або вимикається, якщо зменшити навантаження на інструмент.

Стан індикатора режиму			Режим роботи
<input type="radio"/> Увімк.	<input type="radio"/> Вимк.	<input type="radio"/> Блимає	
			Режим високої частоти обертання
			Режим високого крутного моменту
			Сигнал про перевантаження

Регулювання глибини різання

⚠ ОБЕРЕЖНО: Після регулювання глибини різання слід завжди надійно затягувати затискний гвинт.

Відпустіть затискний гвинт на напрямній глибини й пересуньте стопор крайнього нижнього положення диска на необхідну глибину згідно з масштабною лінійкою. На необхідній глибині різання щільно затягніть затискний гвинт.

Для забезпечення акуратнішого та безпечнішого різання відрегулюйте глибину різання таким чином, щоб за межі деталі виходило не більше одного зубця диска. Належна глибина різання допомагає знизити потенційну небезпеку ВІДДАЧІ, яка може призвести до травмирування.

► **Рис.11:** 1. Стопор крайнього нижнього положення диска 2. Затискний гвинт

Кнопка швидкої зупинки за глибини різання 2—3 мм з використанням напрямної рейки (додаткове обладнання)

Цей інструмент обладнано кнопкою швидкої зупинки за глибини різання 2—3 мм, що знаходиться на картері редуктора збоку задньої ручки, коли використовується напрямна рейка. Вона використовується для запобігання розтріскуванню деталі під час різання. Спочатку зробіть перший прохід із прорізом довжиною 2—3 мм, а потім зробіть ще один прохід зі звичайним прорізом.

► **Рис.12:** 1. Кнопка швидкої зупинки

Для отримання прорізу глибиною 2—3 мм, слід натиснути на кнопку швидкої зупинки в напрямку диска пили. Це зручно для запобігання розтріскуванню деталі.

Щоб розблокувати положення для цієї глибини різання й застосувати вільну глибину різання, слід просто відтягнути кнопку назад.

Різання під кутом

Відпустіть затискні гвинти. Шляхом нахилання встановіть потрібний кут, після чого міцно затягніть затискні гвинти.

► **Рис.13:** 1. Затискний гвинт 2. Лінійка для різання під кутом

► **Рис.14:** 1. Додаткова основа (Додаткове приладдя) 2. Затискний гвинт

Упор-обмежувач

Упор-обмежувач корисний для швидкого встановлення визначеного кута. Поверніть упор-обмежувач таким чином, щоб стрілка на ньому вказувала на 22,5°. Відпустіть затискні гвинти спереду та ззаду. Потім нахиліть диск до упору та закріпіть його за допомогою затискних гвинтів.

► **Рис.15:** 1. Упор-обмежувач 2. Затискний гвинт

Різання з кутом нахилу 48°

Щоб виконати різання з кутом нахилу 48°, відпустіть затискні гвинти та повністю нахиліть важіль у напрямку за стрілкою, як показано на рисунку. Потім установіть кут нахилу 48° і затягніть затискні гвинти.

► **Рис.16:** 1. Важіль

Різання з кутом нахилу -1°

Щоб виконати різання з кутом нахилу -1°, відпустіть затискні гвинти й повністю натисніть важелі в напрямку за стрілкою, як показано на рисунку. Потім установіть кут нахилу -1° і затягніть затискні гвинти.

► **Рис.17:** 1. Важіль

Візування

► **Рис.18:** 1. Основа

Лінія різання залежить від кута різання, а також від того, чи використовуєте ви напрямну рейку (додаткове обладнання).

Використання інструмента без напрямної рейки

Для виконання прямих розрізів слід сумістити положення «А» у передній частині основи з лінією розрізу. Для розрізів із кутом нахилу 45° із лінією розрізу слід сумістити положення «В».

Використання інструмента з напрямною рейкою

Для виконання прямих розрізів і розрізів із кутом нахилу 45° слід завжди суміщати положення «А» у передній частині основи з лінією розрізу.

Дія вимикача

▲ПОПЕРЕДЖЕННЯ: Перед тим як вставляти касету з акумулятором в інструмент, обов'язково перевірте, чи курок вимикача спрацьовує належним чином та повертається у положення «ВИМК.», коли його відпускають.

▲ПОПЕРЕДЖЕННЯ: ЗАБОРОНЕНО змінювати стан кнопки блокування вимкненого положення шляхом її затискання за допомогою стрічки або будь-яким іншим чином. Використання вимикача з несправною кнопкою блокування вимкненого положення може призвести до ненавмисного увімкнення та серйозних травм.

▲ПОПЕРЕДЖЕННЯ: ЗАБОРОНЕНО користуватися інструментом, якщо він вмикається простим натисканням курка вимикача без натискання кнопки блокування вимкненого положення. Використання вимикача, який потребує ремонту, може спричинити ненавмисне увімкнення та серйозні травми. ПЕРЕД подальшим використанням інструмент слід передати до сервісного центру Makita для ремонту.

Для запобігання випадковому натисканню курка вимикача передбачено кнопку блокування вимкненого положення. Щоб увімкнути інструмент, натисніть кнопку блокування вимкненого положення та натисніть на курок вимикача. Щоб зупинити роботу, відпустіть курок вимикача.

► **Рис.19:** 1. Курок вимикача 2. Кнопка блокування вимкненого положення

УВАГА: Ніколи не натискайте із силою на курок вимикача, якщо кнопка блокування вимкненого положення не натиснута. Це може призвести до поломки вимикача.

Коліщатко регулювання частоти обертання

Частоту обертання диска можна відрегулювати, повернувши коліщатко регулювання. Чим більший номер показує коліщатко регулювання частоти обертання, тим більша частота обертання диска пили.

► **Рис.20:** 1. Коліщатко регулювання частоти обертання

Щоб обрати належну частоту обертання для деталі, яку потрібно різати, див. таблицю. Однак відповідна частота обертання може бути різною залежно від типу та товщини деталі. Зазвичай більш висока частота обертання дає можливість швидше різати деталі, але скорочує термін служби диска.

Номер	Частота обертання диска за хвилину (хв ⁻¹)
1	2 500 хв ⁻¹
2	2 900 хв ⁻¹
3	3 900 хв ⁻¹
4	4 900 хв ⁻¹
5	6 300 хв ⁻¹

▲ОБЕРЕЖНО: Коліщатко регулювання частоти обертання не призначене для використання з дисками пили, які мають номінальну низьку частоту обертання. Воно призначене для налаштування частоти обертання, що підходить для певного матеріалу або деталі. Використовуйте тільки диски пили, максимальна номінальна частота обертання на холостому ходу яких дорівнює зазначеній у таблиці «ТЕХНІЧНІ ХАРАКТЕРИСТИКИ» або більша.

УВАГА: Коліщатко регулювання частоти обертання можна повертати тільки в межах від 1 до 5, а також у зворотному напрямку. Не намагайтеся повернути його силою за межу відмітки 5 або 1, тому що це може призвести до виходу з ладу функції регулювання.

Функції електронного обладнання

Інструменти, обладнані електронними функціями, є простими в експлуатації завдяки зазначеним нижче особливостям конструкції.

Захист від перевантаження

У разі перевантаження інструмента й перевищення певного рівня струму інструмент автоматично зупиняється для захисту двигуна.

Контроль постійної частоти обертання

Пристрій електронного контролю частоти обертання для підтримки постійної частоти обертання. Дає можливість отримати чисту обробку завдяки підтриманню швидкості обертання на постійному рівні, навіть під навантаженням.

Функція плавного запуску

Плавний запуск за рахунок стримування ривка під час запуску.

ЗБОРКА

▲ОБЕРЕЖНО: Обов'язково переконайтеся, що прилад вимкнено, а касету з акумулятором знято, перш ніж проводити будь-які роботи з інструментом.

Зберігання шестигранного ключа

Ключ шестигранний ключ не використовується, зберігайте його, як показано на рисунку, щоб він не загубився.

► **Рис.21:** 1. Шестигранний ключ

Зняття та встановлення диска циркулярної пили

▲ ОБЕРЕЖНО: Обов'язково встановлюйте диск циркулярної пили зубцями вгору на передній частині інструмента.

▲ ОБЕРЕЖНО: Для встановлення або зняття диска циркулярної пили слід використовувати тільки ключ виробництва компанії Makita.

Щоб зняти диск циркулярної пили:

1. Натисніть кнопку блокування вимкненого положення й трохи опустіть ручку. Поверніть важіль блокування й опускajte ручку, доки стопорний штифт не стане в отвір.

► **Рис.22:** 1. Кнопка блокування вимкненого положення 2. Важіль блокування 3. Стопорний штифт 4. Отвір для стопорного штифта

2. Повністю натисніть замок вала так, щоб диск не міг обертатись, і за допомогою шестигранного ключа відпустіть болт із шестигранною головкою.

► **Рис.23:** 1. Замок вала 2. Шестигранний ключ 3. Затягнути 4. Відпустити

3. Вийміть болт із шестигранною головкою, зовнішній фланець і диск циркулярної пили.

► **Рис.24:** 1. Болт із шестигранною головкою 2. Зовнішній фланець 3. Внутрішній фланець 4. Диск циркулярної пили

▲ ПОПЕРЕДЖЕННЯ: Якщо внутрішній фланець вийнято, установіть його на шпindel. Під час установлення виберіть правильну сторону, на якій виступ точно підходить до отвору диска пили. Установлення диска на неправильну сторону може призвести до небезпечної вібрації.

Щоб установити диск циркулярної пили, виконайте процедуру його зняття в зворотному порядку. Натисніть кнопку блокування вимкненого положення, щоб вийняти стопорний штифт із отвору.

▲ ПОПЕРЕДЖЕННЯ: **ОБОВ'ЯЗКОВО НАДІЙНО ЗАТЯГНІТЬ БОЛТ ІЗ ШЕСТИГРАННОЮ ГОЛОВКОЮ.** Також не можна затягувати болт із надмірною силою. Зісковзування руки із шестигранного ключа може спричинити травмування.

Очищення захисного кожуха диска

Під час заміни диска циркулярної пили також обов'язково прочистьте захисний кожух диска від тирси, що накопичилась, як зазначено в розділі «Технічне обслуговування». Однак такі дії не усувають необхідності перевірки роботи захисного кожуха перед кожним використанням.

Під'єднання пилососа

Додаткове приладдя

Щоб забезпечити чистоту під час різання, під'єдняйте до інструмента пилосос Makita. Приєднайте шланг пилососа до штуцера для пилу за допомогою передніх манжет 24.

► **Рис.25:** 1. Шланг пилососа 2. Передні манжети 24 3. Штуцер для пилу

РОБОТА

▲ ОБЕРЕЖНО: Обов'язково плавно рухайте інструмент вздовж прямої лінії. Докладання зусиль або перекручування інструмента можуть призвести до його перегріву та небезпечної віддачі, що в свою чергу може призвести до серйозних травм.

▲ ОБЕРЕЖНО: Ніколи не намагайтеся дістати будь-яку частину свого тіла під основою інструмента під час різання секціями, особливо під час запуску. Такі дії можуть призвести до тяжких травм. Диск під основою інструмента відкритий.

ПРИМІТКА: Якщо температура касети з акумулятором низька, інструмент не може працювати на повну потужність. У такому разі інструмент слід використовувати на легких режимах різання, доки температура касети з акумулятором не підніметься до кімнатної. Потім інструмент може працювати на повну потужність.

Різнання секціями (звичайне пиляння)

► **Рис.26**

Тримайте інструмент міцно. Інструмент оснащено передньою й задньою ручками. Тримайте інструмент за обидві ручки. Щоб не порізати руки диском циркулярної пили, тримайте її обома руками. Установіть основу на робочу деталь таким чином, щоб диск циркулярної пили не торкався деталі. Потім натисніть кнопку блокування вимкненого положення й натисніть на курок вмикача. Заждіть, доки диск циркулярної пили досягне повної частоти обертання. Тепер слід повільно притиснути головку пили на визначену глибину та просто перемістити інструмент уперед по поверхні деталі, утримуючи його на площині й плавно просуваючи, доки пиляння не буде завершено. Щоб отримати чисті розрізи, намагайтеся дотримуватись прямої лінії розпилювання й рівномірної швидкості просування. Якщо лінія розпилювання не відповідатиме вашим потребам, не намагайтеся насильно повернути інструмент до лінії розпилювання. Це може призвести до згинання диска циркулярної пили й спричинити небезпечну віддачу та важкі травми. Відпустіть вмикач, дочекайтеся повної зупинки диска циркулярної пили й витягніть інструмент із робочої деталі. Виставте інструмент на нову лінію та знову почніть різання. Уникайте такого розташування пили, коли стружка й пил з-під неї потрапляють на оператора. Використовуйте засоби захисту очей, щоб уникнути травмування.

Напрямна рейка

Додаткове приладдя

Установіть інструмент біля заднього кінця прямої рейки. Поверніть гвинти регулювання на основі інструмента таким чином, щоб інструмент пересувався плавно, без стукоту. Міцно тримайтеся за передню та задню ручки інструмента. Увімкніть інструмент, притисніть його на визначену глибину різання та зробіть проріз по всій довжині за один прохід уздовж пристрою запобігання сколюванню. Тепер край пристрою запобігання сколюванню відповідає різальній кромці.

► **Рис.27:** 1. Гвинти регулювання

У разі різання під кутом із прямою рейкою використовуйте пересувний важіль, щоб запобігти перевертання інструмента.

Пересуньте пересувний важіль на основі інструмента в напрямку, що вказаний стрілкою, щоб він увійшов у підрізаний паз на прямій рейці.

► **Рис.28:** 1. Пересувний важіль

Додаткова основа (напрямна лінійка)

Додаткове приладдя

У разі використання додаткової основи у якості прямої лінійки можна отримати прямі розрізи підвищеної точності. Відпустіть затискні гвинти й висуньте додаткову основу з інструмента, а потім установіть її в перевернутому положенні.

► **Рис.29:** 1. Затискний гвинт 2. Додаткова основа

Пересуньте планку додаткової основи впритул до краю робочої деталі й закріпіть її в необхідному положенні за допомогою затискних гвинтів. Це також дає змогу багаторазово виконувати розрізи однакової ширини.

► **Рис.30:** 1. Затискний гвинт 2. Додаткова основа

Врізання (вирізання)

⚠ ПОПЕРЕДЖЕННЯ: Щоб уникнути віддачі, дотримуйтеся наведених нижче інструкцій.

► **Рис.31:** 1. Задній край основи інструмента
2. Фіксований стопор

У разі використання інструмента без прямої рейки розташуйте інструмент на деталі, уперши задню частину його основи у фіксований стопор або інший пристрій, установлений оператором.

У разі використання інструмента з прямою рейкою розташуйте інструмент на прямій рейці, уперши задню частину його основи у фіксований стопор або інший пристрій, закріплений на прямій рейці.

Міцно тримайте інструмент однією рукою за передню ручку, а другою за задню. Потім натисніть на кнопку блокування вимкненого положення й увімкніть інструмент, після чого зачекайте, доки диск не досягне повної частоти обертання. Тепер слід повільно притиснути головку пили на визначену глибину та просто перемістити інструмент уперед до необхідного положення врізання.

ПРИМІТКА: Міткі збоку кожуха диска показують передню та задню точки різання диска пили на максимальній глибині різання з використанням прямої рейки.

► **Рис.32:** 1. Передня точка різання 2. Задня точка різання

Напрямний пристрій

Додаткове приладдя

Використання прямої кута нахилу дозволяє виконувати точні зрізи під косим кутом і роботи з приладження.

Використання затискача забезпечує міцне утримання деталі на столі.

ФУНКЦІЯ БЕЗДРОТОВОЇ АКТИВАЦІЇ

Лише для DSP601

Для чого призначена функція бездротової активації

Використання функції бездротової активації забезпечує чистоту та комфортну роботу. Після під'єднання до інструмента сумісного пилососа його можна буде автоматично запускати разом з інструментом.

► **Рис.33**

Щоб скористатися функцією бездротової активації, підготуйте наступні компоненти:

- бездротовий модуль (додаткове обладнання);
- пилосос, який підтримує функцію бездротової активації.

Налаштування функції бездротової активації наведено далі. Щоб отримати докладні інструкції, зверніться до відповідного розділу.

1. Установлення бездротового модуля
2. Реєстрація інструмента для пилососа
3. Увімкнення функції бездротової активації

Установлення бездротового модуля

Додаткове приладдя

⚠ ОБЕРЕЖНО: Під час установлення бездротового модуля розташуйте інструмент на рівній і стійкій поверхні.

УВАГА: Перед установленням бездротового модуля очистіть інструмент від пилу та бруду. Пил або бруд можуть стати причиною несправності, якщо вони потраплять у відсік бездротового пристрою.

УВАГА: Щоб уникнути несправностей, викликаних статичною електрикою, перш ніж торкатися бездротового модуля, доторкніться до деталі, яка допоможе зняти електростатичний заряд, наприклад до металевої частини інструменту.

УВАГА: Під час установлення бездротового модуля завжди стежте за тим, щоб уставляти його правильною стороною та щоб кришка відсіку була повністю закрита.

1. Відкрийте кришку на інструменті, як показано на малюнку.

► **Рис.34:** 1. Кришка

2. Вставте бездротовий модуль у відсік і закрийте кришку.

Під час установлення бездротового модуля сумістіть виступи із заглибленнями у відсіку.

► **Рис.35:** 1. Бездротовий модуль 2. Виступ
3. Кришка 4. Заглиблення

Під час вивільнення бездротового модуля відкрийте кришку повільно. Гачки на зворотному боці кришки зачеплять бездротовий модуль, якщо потягнути за кришку.

► **Рис.36:** 1. Бездротовий модуль 2. Гачок
3. Кришка

Після зняття бездротового модуля зберігайте його в упаковці з комплекту постачання або в контейнері, захищеному від дії статичної електрики.

УВАГА: Під час вивільнення бездротового модуля завжди використовуйте гачки на зворотному боці кришки. Якщо гачки не захопили бездротовий модуль, повністю закрийте кришку та знову повільно відкрийте її.

Реєстрація інструмента для пирососа

ПРИМІТКА: Для реєстрації інструмента потрібно мати пиросос Makita, який підтримує функцію бездротової активації.

ПРИМІТКА: Установіть бездротовий модуль в інструмент перед початком реєстрації.

ПРИМІТКА: Під час реєстрації інструмента не натискайте курок вмикача або кнопку живлення пирососа.

ПРИМІТКА: Див. також посібник з експлуатації пирососа.

Для ввімкнення пирососа одночасно з інструментом спочатку виконайте реєстрацію інструмента.

1. Уставте акумулятори в пиросос та інструмент.

2. Установіть перемикач режиму очікування на пирососі в положення «AUTO».

► **Рис.37:** 1. Перемикач режиму очікування

3. Натисніть кнопку бездротової активації на пирососі та втримуйте її протягом 3 секунд, поки індикатор бездротової активації не почне блимати зеленим кольором. Потім так само натисніть кнопку бездротової активації на інструменті.

► **Рис.38:** 1. Кнопка бездротової активації
2. Індикатор бездротової активації

Якщо пиросос та інструмент з'єднані успішно, індикатори бездротової активації світитимуться зеленим світлом протягом 2 секунд, а потім почнуть блимати синім кольором.

ПРИМІТКА: Індикатори бездротової активації припинять блимати зеленим кольором за 20 секунд. Натисніть кнопку бездротової активації на інструменті, поки блимає індикатор бездротової активації на пирососі. Якщо індикатор бездротової активації не блимає зеленим, короткочасно натисніть кнопку бездротової активації, а потім знову натисніть і втримуйте її.

ПРИМІТКА: Якщо потрібно зареєструвати два або більше інструментів для одного пирососа, виконайте реєстрацію інструментів послідовно, один за одним.

Увімкнення функції бездротової активації

ПРИМІТКА: Завершіть реєстрацію інструмента для пирососа до використання бездротової активації.

ПРИМІТКА: Див. також посібник з експлуатації пирососа.

Після реєстрації інструмента пиросос вмикатиметься автоматично, коли починає працювати інструмент.

1. Установіть бездротовий модуль в інструмент.

2. З'єднайте шланг пирососа з інструментом.

► **Рис.39**

3. Установіть перемикач режиму очікування на пирососі в положення «AUTO».

► **Рис.40:** 1. Перемикач режиму очікування

4. Натисніть і вудпустіть кнопку бездротової активації на інструменті. Індикатор бездротової активації почне блимати синім кольором.

► **Рис.41:** 1. Кнопка бездротової активації
2. Індикатор бездротової активації

5. Натисніть на курок вмикача інструмента. Перевірте, чи працює пиросос, коли натиснуто курок вмикача.

Щоб вимкнути бездротову активацію пирососа, натисніть кнопку бездротової активації на інструменті.

ПРИМІТКА: Індикатор бездротової активації на інструменті припинить блимати синім, якщо він не використовується протягом 2 годин. У цьому випадку встановить перемикач режиму очікування на пилососі в положення «АUTO» та знову натисніть кнопку бездротової активації на інструменті.

ПРИМІТКА: Пилосос вмикається та зупиняється із затримкою. Існує затримка, коли пилосос визначає перемикання інструмента в робочий режим.

ПРИМІТКА: Дальність передачі бездротового модуля змінюється в залежності від місця розташування й навколишніх умов.

ПРИМІТКА: Якщо для одного пилососа зареєстровано два або більше інструментів, пилосос може почати працювати, навіть якщо не натиснуто курок вмикача, коли інший користувач застосовує функцію бездротової активації.

Опис стану індикатора бездротової активації

► Рис.42: 1. Індикатор бездротової активації

Індикатор бездротової активації відображає стан функції бездротової активації. Значення стану індикатора див. у таблиці нижче.

Стан	Індикатор бездротової активації			Тривалість	Опис
	Колір	<input type="checkbox"/> Увімк.	<input type="checkbox"/> Блимає		
Режим очікування	Синій	<input checked="" type="checkbox"/>	<input type="checkbox"/>	2 години	Доступна бездротова активація пилососа. Індикатор автоматично вимкнеться, якщо протягом 2 годин не буде виконуватися ніяка операція.
		<input type="checkbox"/>	<input checked="" type="checkbox"/>	Коли інструмент працює.	Доступна бездротова активація пилососа, інструмент працює.
Реєстрація інструмента	Зелений	<input checked="" type="checkbox"/>	<input type="checkbox"/>	20 секунд	Готовність до реєстрації інструмента. Очікування реєстрації пилососом.
		<input type="checkbox"/>	<input checked="" type="checkbox"/>	2 секунди	Реєстрація інструмента завершена. Індикатор бездротової активації починає блимати синім кольором.
Скасування реєстрації інструмента	Червоний	<input checked="" type="checkbox"/>	<input type="checkbox"/>	20 секунд	Готовність до скасування реєстрації інструмента. Очікування скасування пилососом.
		<input type="checkbox"/>	<input checked="" type="checkbox"/>	2 секунди	Скасування реєстрації інструмента завершено. Індикатор бездротової активації починає блимати синім кольором.
Інше	Червоний	<input type="checkbox"/>	<input checked="" type="checkbox"/>	3 секунди	На бездротовий модуль подається живлення, функція бездротової активації вмикається.
	Вимк.	—	—	—	Бездротова активація пилососа вимкнена.

Скасування реєстрації інструмента для пилососа

Виконайте наступні дії, щоб скасувати реєстрацію інструмента для пилососа.

1. Уставте акумулятори в пилосос та інструмент.
2. Установіть перемикач режиму очікування на пилососі в положення «АUTO».

► Рис.43: 1. Перемикач режиму очікування

3. Натискайте кнопку бездротової активації на пилососі протягом 6 секунд. Індикатор бездротової активації почне блимати зеленим, а потім загориться червоним кольором. Після цього так само натисніть кнопку бездротової активації на інструменті.

► Рис.44: 1. Кнопка бездротової активації
2. Індикатор бездротової активації

Якщо скасування виконано успішно, індикатори бездротової активації світитимуться червоним світлом протягом 2 секунд, а потім почнуть блимати синім кольором.

ПРИМІТКА: Індикатори бездротової активації припинять блимати червоним кольором за 20 секунд. Натисніть кнопку бездротової активації на інструменті, поки блимає індикатор бездротової активації на пилососі. Якщо індикатор бездротової активації не блимає червоним, короткочасно натисніть кнопку бездротової активації, а потім знову натисніть і втримуйте її.

Усунення несправностей функції бездротової активації

Перш ніж звертатися з приводу ремонту інструмента, проведіть його перевірку самостійно. У разі виявлення несправності, яку не описано в цьому посібнику, не намагайтеся розібрати інструмент. Натомість зверніться до авторизованих сервісних центрів Makita та використовуйте для ремонту тільки запасні частини виробництва компанії Makita.

Стан відхилення від норми	Можлива причина (несправність)	Спосіб виправлення
Індикатор бездротової активації не світиться або не блимає.	Бездротовий модуль не встановлено в інструмент. Бездротовий модуль встановлено в інструмент неправильно.	Установіть бездротовий модуль.
	Контакти бездротового модуля або роз'єм забруднені.	Акуратно витріть пил і бруд на контактах бездротового модуля та очистіть роз'єм.
	Кнопку бездротової активації на інструменті не натиснуто.	Натисніть і відпустіть кнопку бездротової активації на інструменті.
	Перемикач режиму очікування на пилососі не встановлено в положення «АУТО».	Установіть перемикач режиму очікування на пилососі в положення «АУТО».
	Відсутнє живлення	Підключіть інструмент і пилосос до джерела живлення.
Неможливо успішно закінчити реєстрацію інструмента або скасувати реєстрацію інструмента.	Бездротовий модуль не встановлено в інструмент. Бездротовий модуль встановлено в інструмент неправильно.	Установіть бездротовий модуль.
	Контакти бездротового модуля або роз'єм забруднені.	Акуратно витріть пил і бруд на контактах бездротового модуля та очистіть роз'єм.
	Перемикач режиму очікування на пилососі не встановлено в положення «АУТО».	Установіть перемикач режиму очікування на пилососі в положення «АУТО».
	Відсутнє живлення	Підключіть інструмент і пилосос до джерела живлення.
	Неправильна операція	Натисніть і відпустіть кнопку бездротової активації, а потім знову виконайте процедуру реєстрації або скасування реєстрації.
	Інструмент і пилосос знаходяться далеко один від одного (за межами радіуса дії передавача).	Розташуйте інструмент і пилосос ближче один до одного. Максимальна відстань передачі складає близько 10 м, проте вона залежить від конкретних умов експлуатації.
	Перед закінченням реєстрації або скасування реєстрації інструмента: - натиснуто курок вмикача на інструменті або - натиснуто кнопку живлення на пилососі.	Натисніть і відпустіть кнопку бездротової активації, а потім знову виконайте процедуру реєстрації або скасування реєстрації.
	Процедура реєстрації для інструмента або пилососа не завершена.	Виконайте дії з реєстрації, які стосуються інструмента й пилососа, в один часовий проміжок.
	Радіоперешкоди від інших приладів, які генерують радіохвилі високої потужності.	Тримайте інструмент і пилосос подалі від приладів, як-от пристрої Wi-Fi і мікрохвильові печі.

Стан відхилення від норми	Можлива причина (несправність)	Спосіб виправлення
Пилосос не вмикається під час роботи інструмента.	Бездротовий модуль не встановлено в інструмент. Бездротовий модуль встановлено в інструмент неправильно.	Установіть бездротовий модуль.
	Контакти бездротового модуля або роз'єм забруднені.	Акуратно витріть пил і бруд на контактах бездротового модуля та очистіть роз'єм.
	Кнопку бездротової активації на інструменті не натиснуто.	Натисніть і відпустіть кнопку бездротової активації та переконайтеся, що індикатор бездротової активації блимає синім кольором.
	Перемикач режиму очікування на пилососі не встановлено в положення «AUTO».	Установіть перемикач режиму очікування на пилососі в положення «AUTO».
	У пилососі зареєстровано понад 10 інструментів.	Виконайте реєстрацію інструмента ще раз. Якщо в пилососі зареєстровано понад 10 інструментів, дані про інструмент, який було зареєстровано найпершим, будуть автоматично вилучені.
	Пилосос вилучив дані про реєстрацію всіх інструментів.	Виконайте реєстрацію інструмента ще раз.
	Відсутнє живлення	Підключіть інструмент і пилосос до джерела живлення.
	Інструмент і пилосос знаходяться далеко один від одного (за межами радіуса дії передавача).	Розташуйте інструмент і пилосос ближче один до одного. Максимальна відстань передачі складає близько 10 м, проте вона залежить від конкретних умов експлуатації.
Радіоперешкоди від інших приладів, які генерують радіохвилі високої потужності.	Тримайте інструмент і пилосос подалі від приладів, як-от пристроїв Wi-Fi і мікрохвильові печі.	
Пилосос працює, коли не натиснуто курок вмикача.	Інші користувачі застосовують функцію бездротової активації пилососа з їхніми інструментами.	Вимкніть за допомогою кнопки бездротової активації інших інструментів або скасуйте їх реєстрацію.

ТЕХНІЧНЕ ОБСЛУГОВУВАННЯ

⚠ ОБЕРЕЖНО: Перед здійсненням перевірки або обслуговування завжди перевіряйте, щоб інструмент був вимкнений, а касета з акумулятором була знята.

⚠ ОБЕРЕЖНО: Очистьте захисний кожух диска та переконайтесь у тому, що на ньому немає тирси, яка може завадити роботі захисної системи. Засміченість захисної системи може обмежити належну функціональність, і це може призвести до отримання серйозних травм. Найефективнішим способом чищення є використання стисненого повітря. Під час видування пилу із захисного кожуха диска обов'язково надягайте відповідні засоби захисту органів зору та дихання.

УВАГА: Ніколи не використовуйте газолін, бензин, розріджувач, спирт та подібні речовини. Їх використання може призвести до зміни кольору, деформації або появи тріщин.

Регулювання точності різання з кутом нахилу 0° і 45°

УВАГА: Не застосовуйте важелі для різання з кутом нахилу –1° під час регулювання точності різання з кутом нахилу 0°.

УВАГА: Не застосовуйте важелі для різання з кутом нахилу 48° під час регулювання точності різання з кутом нахилу 45°.

Ці регулювання були виконані на заводі. За необхідності регулювання можна виконати, як описано далі.

1. Трохи відпустіть затискні гвинти на передній і задній частинах інструмента.
2. Відрегулюйте кут нахилу диска.
 - ▶ **Рис.45:** 1. Трикутна лінійка

Щоб відрегулювати точність різання з кутом нахилу 0°, установіть основу перпендикулярно до диска за допомогою трикутної лінійки, косинця й т. ін., прокрутивши болт регулювання.

▶ **Рис.46:** 1. Болт регулювання для різання з кутом нахилу 0°

Щоб відрегулювати точність різання з кутом нахилу 45°, установіть основу під кутом 45° до диска за допомогою трикутної лінійки, прокрутивши болт регулювання.

▶ **Рис.47:** 1. Болт регулювання для різання з кутом нахилу 45°

3. Затягніть затискні гвинти й зробіть тестовий розріз.

Для забезпечення БЕЗПЕКИ та НАДІЙНОСТІ продукції, її ремонт, а також роботи з обслуговування або регулювання повинні виконуватись уповноваженими або заводськими сервісними центрами Makita із використанням запчастин виробництва компанії Makita.

ДОДАТКОВЕ ПРИЛАДДЯ

⚠ ОБЕРЕЖНО: Це додаткове та допоміжне обладнання рекомендовано використовувати з інструментом Makita, зазначеним у цій інструкції з експлуатації. Використання будь-якого іншого додаткового та допоміжного обладнання може становити небезпеку травмування. Використовуйте додаткове та допоміжне обладнання лише за призначенням.

У разі необхідності отримати допомогу в більш детальному ознайомленні з оснащенням звертайтеся до місцевого сервісного центру Makita.

- Диск циркулярної пили
- Додаткова основа
- Шестигранний ключ
- Напрямна рейка
- Напрямна кута нахилу
- Затиск
- Лист
- Гумовий лист
- Лист контролю положення
- Бездротовий модуль (для DSP601)
- Оригінальний акумулятор та зарядний пристрій Makita

ПРИМІТКА: Деякі елементи списку можуть входити до комплекту інструмента як стандартне приладдя. Вони можуть відрізнятися залежно від країни.

SPECIFICAȚII

Model:		DSP600	DSP601
Diametrul pânzei		165 mm	
Adâncime maximă de tăiere	la 0°	56 mm	
	la înclinație de 45°	40 mm	
	la înclinație de 48°	38 mm	
Turație în gol		2.500 - 6.300 min ⁻¹	
Lungime totală		346 mm	
Tensiune nominală		36 V cc.	
Cartușul acumulatorului		BL1815N, BL1820, BL1820B, BL1830, BL1830B, BL1840, BL1840B, BL1850, BL1850B, BL1860B	
Încărcător		DC18RC, DC18RD, DC18SD, DC18SE, DC18SF	
Greutate netă		4,4 - 5,1 kg	

- Datorită programului nostru continuu de cercetare și dezvoltare, specificațiile pot fi modificate fără o notificare prealabilă.
- Specificațiile și cartușul acumulatorului pot diferi de la țară la țară.
- Greutatea poate diferi în funcție de accesoriu(ii), inclusiv cartușul acumulatorului. În tabel se prezintă combinația cea mai ușoară și cea mai grea, conform Procedurii EPTA 01/2014.

Destinația de utilizare

Mașina este special destinată executării decupajelor prin plonjare. Mașina este destinată și pentru tăierea prin despicare sau retezare a lemnului. Dacă mașina este dotată cu o pânză de ferăstrău circular adecvată, mașina poate fi utilizată pentru a tăia aluminiu, plastic sau plastic cu conținut de minerale, precum și alte materiale similare.

Zgomot

Nivelul de zgomot normal ponderat A determinat în conformitate cu EN62841:

Model DSP600

Nivel de presiune acustică (L_{pA}): 92 dB(A)

Nivel de putere acustică (L_{WA}): 103 dB (A)

Marjă de eroare (K): 3 dB(A)

Model DSP601

Nivel de presiune acustică (L_{pA}): 92 dB(A)

Nivel de putere acustică (L_{WA}): 103 dB (A)

Marjă de eroare (K): 3 dB(A)

⚠️ AVERTIZARE: Purați echipament de protecție pentru urechi.

Vibrații

Valoarea totală a vibrațiilor (suma vectorilor tri-axiali) determinată conform EN62841:

Model DSP600

Mod de lucru: tăiere lemn

Emisie de vibrații ($a_{h,w}$): 2,5 m/s² sau mai puțin

Marjă de eroare (K): 1,5 m/s²

Mod de lucru: tăiere metal

Emisie de vibrații ($a_{h,m}$): 2,5 m/s² sau mai puțin

Marjă de eroare (K): 1,5 m/s²

Model DSP601

Mod de lucru: tăiere lemn

Emisie de vibrații ($a_{h,w}$): 2,5 m/s² sau mai puțin

Marjă de eroare (K): 1,5 m/s²

Mod de lucru: tăiere metal

Emisie de vibrații ($a_{h,m}$): 2,5 m/s² sau mai puțin

Marjă de eroare (K): 1,5 m/s²

NOTĂ: Nivelul de vibrații declarat a fost măsurat în conformitate cu metoda de test standard și poate fi utilizat pentru compararea unei unelte cu alta.

NOTĂ: Nivelul de vibrații declarat poate fi, de asemenea, utilizat într-o evaluare preliminară a expunerii.

⚠️ AVERTIZARE: Nivelul de vibrații în timpul utilizării efective a unelei electrice poate diferi de valoarea nivelului declarat, în funcție de modul în care unealta este utilizată.

⚠️ AVERTIZARE: Asigurați-vă că identificați măsurile de siguranță pentru a proteja operatorul, acestea fiind bazate pe o estimare a expunerii în condiții reale de utilizare (luând în considerare toate părțile ciclului de operare, precum timpii în care unealta a fost oprită, sau a funcționat în gol, pe lângă timpul de declanșare).

Declarație de conformitate CE

Numai pentru țările europene

Declarația de conformitate CE este inclusă ca Anexa A în acest manual de instrucțiuni.

AVERTIZĂRI DE SIGURANȚĂ

Avertismente generale de siguranță pentru mașinile electrice

▲AVERTIZARE: Citiți toate avertismentele privind siguranța, instrucțiunile, ilustrațiile și specificațiile furnizate cu această sculă electrică. Nerespectarea integrală a instrucțiunilor de mai jos poate cauza electrocutări, incendii și/sau vătămări corporale grave.

Păstrați toate avertismentele și instrucțiunile pentru consultări ulterioare.

Termenul „mașină electrică” din avertizări se referă la mașinile dumneavoastră electrice acționate de la rețea (prin cablu) sau cu acumulator (fără cablu).

Avertismente privind siguranța pentru ferăstrăul circular cu acumulator

Proceduri de tăiere

- ▲PERICOL: Țineți mâinile la distanță de zona de tăiere și de pânza de ferăstrău. Țineți a doua mână pe mânerul auxiliar sau pe carcasa motorului.** Dacă țineți ferăstrăul cu ambele mâini, acestea nu pot fi tăiate de pânză.
 - Nu introduceți mâinile sub piesa prelucrată.** Apărătoarea nu vă poate proteja împotriva pânzei sub piesa prelucrată.
 - Reglați adâncimea de tăiere la grosimea piesei de prelucrat.** Sub piesa de prelucrat trebuie să fie vizibil mai puțin decât un dinte complet al pânzei.
 - Nu țineți niciodată piesa de lucru în mâini sau pe picioare în timpul tăierii. Fixați piesa de lucru pe o platformă stabilă.** Este important să sprijiniți piesa de lucru în mod corespunzător, pentru a minimiza expunerea corpului, riscul de înțepenire a pânzei sau de pierdere a controlului.
- Fig.1
- Țineți mașina electrică doar de suprafețele de prindere izolate atunci când executați o operație în care unealta de tăiere poate intra în contact cu cabluri ascunse sau cu propriul cablu.** Contactul cu un cablu aflat sub tensiune va pune sub tensiune și componentele metalice neizolate ale mașinii și ar putea conduce la electrocutarea operatorului.
 - Atunci când tăiați, folosiți întotdeauna un ghidaj opritor sau un ghidaj paralel.** Aceasta va crește acuratețea tăierii și reduce riscul de blocare a pânzei.
 - Folosiți întotdeauna pânze cu găuri pentru arbori de dimensiuni și forme corecte (romboidale versus rotunde).** Pânzele care nu se potrivesc cu sistemul de montare al ferăstrăului vor funcționa excentric, provocând pierderea controlului.

- Nu folosiți niciodată șaibe sau șuruburi pentru pânză deteriorate sau necorespunzătoare.** Șaibele și șurubul pentru pânză au fost special concepute pentru acest ferăstrău, în vederea obținerii unei performanțe optime și a siguranței în exploatare.

Cauze ale reculului și avertismente aferente

- reculul este o reacție bruscă la înțepenirea, blocarea sau abaterea de la coliniaritate a pânzei de ferăstrău și cauzează o deplasare necontrolată a ferăstrăului în sus și către operator;
- când pânza este înțepenită sau prinsă strâns de închiderea fantei, pânza se blochează și reacția motorului respinge rapid mașina către operator;
- dacă pânza se răsucește sau nu mai este coliniară cu linia de tăiere, dinții de la marginea posterioară a pânzei se pot înfige în fața superioară a lemnului, cauzând ieșirea pânzei din fantă și saltul acesteia către operator.

Reculul este rezultatul utilizării incorecte a ferăstrăului și/sau al procedurilor sau condițiilor de lucru necorespunzătoare, putând fi evitat prin adoptarea unor măsuri de precauție adecvate prezentate în continuare.

- Mențineți o priză fermă cu ambele mâini pe ferăstrău și poziționați-vă brațele astfel încât să contracarați forțele de recul. Poziționați-vă corpul de-o parte sau de cealaltă a pânzei, însă nu pe aceeași linie cu aceasta.** Reculul poate provoca un salt înapoi al ferăstrăului, însă forțele de recul pot fi controlate de operator, dacă se adoptă măsuri de precauție adecvate.
- Atunci când pânza se blochează sau atunci când întrerupeți tăierea indiferent de motiv, eliberați butonul declanșator și mențineți ferăstrăul nemiscat în material până când pânza se oprește complet. Nu încercați niciodată să scoateți ferăstrăul din piesa prelucrată sau să trageți ferăstrăul înapoi cu pânza aflată în mișcare deoarece există riscul de recul.** Investigați cauza de blocării pânzei și luați măsuri de eliminare a acesteia.
- Atunci când reporniți ferăstrăul din piesa de lucru, centrați pânza de ferăstrău în fantă astfel ca dinții ferăstrăului să nu fie angrenați în material.** Dacă pânza de ferăstrău se blochează, aceasta poate urca pe piesa de lucru sau poate recula din aceasta la repornirea ferăstrăului.
- Sprijiniți panourile mari pentru a minimiza riscul de înțepenire și reculare a pânzei.** Panourile mari tind să se încovoie sub propria greutate. Sub panou trebuie amplasate suporturi pe ambele laturi, lângă linia de tăiere și lângă marginea panoului.

► Fig.2

► Fig.3

- Nu folosiți pânze uzate sau deteriorate.** Pânzele neascuțite sau reglate necorespunzător generează o fantă îngustă care cauzează frecare excesivă, înțepenirea pânzei și recul.
- Pârghiile de reglare și blocare a adâncimii și înclinății de tăiere trebuie să fie strânse și fixate înainte de începerea tăierii.** Deplasarea reglajului pânzei în timpul tăierii poate cauza frecare și recul.

7. **Lucrați cu mare atenție atunci când executați o tăiere în pereții existenți sau în alte zone mascate.** Pânza poate tăia obiecte care pot provoca un recul.
8. **Țineți ÎNTOTDEAUNA mașina ferm cu ambele mâini.** Nu vă poziționați NICIODATĂ mâna, piciorul sau orice parte a corpului sub talpa mașinii sau în spatele ferăstrăului, în special atunci când executați retezări. Dacă apare un recul, ferăstrăul poate sări cu ușurință înapoi peste mâna dumneavoastră, provocând vătămări corporale grave.

► Fig.4

9. **Nu forțați niciodată ferăstrăul.** Împingeți ferăstrăul înainte la o viteză care să permită pânzei să taie fără să încetinească. Forțarea ferăstrăului poate genera tăieturi neuniforme, reducerea preciziei și posibile reculuri.

Funcția apărătoarei

1. **Înainte de fiecare utilizare, verificați închiderea corectă a apărătoarei.** Nu utilizați ferăstrăul dacă apărătoarea nu se mișcă liber și nu acoperă pânza instantaneu. Nu prindeți și nu fixați niciodată apărătoarea astfel încât pânza să fie expusă. Dacă scăpați accidental ferăstrăul, apărătoarea se poate îndoi. Verificați pentru a vă asigura că apărătoarea se mișcă liber și că nu atinge pânza sau o altă componentă, la toate unghiurile și adâncimile de tăiere.
2. **Verificați funcționarea și starea arcului de revenire al apărătoarei.** Dacă apărătoarea și arcul nu funcționează corect, acestea trebuie reparate înainte de utilizare. Apărătoarea ar putea funcționa anevoios din cauza unor piese defecte, acumulări cleioase sau depuneri de resturi.
3. **Asigurați-vă că placa de bază a ferăstrăului nu se va deplasa în timpul executării „tăierii prin plonjare”.** Deplasarea laterală a pânzei va cauza înțepenirea acesteia și foarte posibil un recul.
4. **Aveți grijă întotdeauna ca apărătoarea să acopere pânza înainte de a așeza ferăstrăul pe banc sau pe podea.** O pânză neprotejată, aflată în rotație liberă, va provoca deplasarea ferăstrăului înapoi, tâind orice obiecte din calea ei. Aveți în vedere timpul necesar pentru oprirea completă a pânzei după eliberarea comutatorului.

Avertismente suplimentare privind siguranța

1. **Lucrați cu mare atenție atunci când tăiați lemn umez, cherestea impregnată sub presiune sau lemn cu noduri.** Păstrați o viteză de avansare uniformă pentru mașină fără reducerea vitezei pânzei, pentru a evita supraîncălzirea dinților pânzei și, dacă tăiați mase plastice, pentru a evita topirea plasticului.
2. **Nu încercați să îndepărtați materialul tăiat în timp ce pânza se mișcă.** Așteptați ca pânza să se oprească înainte de a apuca materialul tăiat. Pânzele se rotesc liber după oprire.
3. **Evitați tăierea cuielei.** Inspectați piesa de prelucrat și eliminați toate cuiele din cherestea înainte de tăiere.

4. **Așezați porțiunea mai lată a tălpii ferăstrăului pe acea porțiune a piesei de prelucrat care este sprijinită solid, și nu pe porțiunea care va cădea în urma tăierii.** Dacă piesa de prelucrat este scurtă sau mică, fixați-o. **NU ÎNCERCAȚI SĂ ȚINEȚI PIESELE SCURTE CU MÂNA!**

► Fig.5

5. **Înainte de a așeza mașina după finalizarea unei tăieri, asigurați-vă că apărătoarea inferioară s-a închis și că pânza s-a oprit complet.**
6. **Nu încercați niciodată să tăiați cu ferăstrăul circular fixat în poziție răsturnată într-o menghină.** Acest mod de utilizare este extrem de periculos și poate duce la accidente grave.

► Fig.6

7. **Unele materiale conțin substanțe chimice care pot fi toxice.** Aveți grijă să nu inhalați praful și evitați contactul cu pielea. Respectați instrucțiunile de siguranță ale furnizorului.
8. **Nu opriți pânzele aplicând o presiune laterală asupra pânzei de ferăstrău.**
9. **Nu folosiți discuri abrazive.**
10. **Utilizați numai pânze de ferăstrău cu diametrul marcat pe mașină sau specificat în manual.** Utilizarea unei pânze de altă mărime poate afecta protecția corespunzătoare a pânzei sau funcționarea apărătoarei, putând rezulta accidentări grave.
11. **Păstrați pânza ascuțită și curată.** Cleiul și rășina întărite pe pânze încetinesc ferăstrăul și măresc riscul de recul. Păstrați pânza curată prin demontarea de pe mașină și curățarea acesteia cu soluție de îndepărtat cleiul și rășina, apă fierbinte sau petrol lampant. Nu folosiți niciodată benzină.
12. **Purtați o mască de protecție contra prafului și mijloace de protecție auditivă atunci când folosiți mașina.**
13. **Întotdeauna utilizați pânza de ferăstrău prevăzută pentru tăierea materialului pe care îl veți tăia.**
14. **Utilizați doar pânze de ferăstrău care sunt marcate cu o durată egală cu sau mai mare decât turația marcată pe mașină.**
15. **(Numai pentru țările europene)** Întotdeauna utilizați lama care este conformă cu EN847-1.

PĂSTRAȚI ACESTE INSTRUCȚIUNI.

▲AVERTIZARE: NU permiteți comodității și familiarizării cu produsul (obținute prin utilizare repetată) să înlocuiască respectarea strictă a normelor de securitate pentru acest produs. FOLOSIREA INCORECTĂ sau nerespectarea normelor de securitate din acest manual de instrucțiuni poate provoca vătămări corporale grave.

Instrucțiuni importante privind siguranța pentru cartușul acumulatorului

1. Înainte de a folosi cartușul acumulatorului, citiți toate instrucțiunile și atenționările de pe (1) încărcătorul acumulatorului, (2) acumulator și (3) produsul care folosește acumulatorul.
2. Nu dezmembrați cartușul acumulatorului.
3. Dacă timpul de funcționare s-a redus excesiv, întrerupeți imediat funcționarea. Aceasta poate prezenta risc de supraîncălzire, posibile arsuri și chiar explozie.
4. Dacă electrolitul pătrunde în ochi, clătiți bine ochii cu apă curată și consultați imediat un medic. Există risc de orbire.
5. Nu scurtcircuitați cartușul acumulatorului:
 - (1) Nu atingeți bornele cu niciun material conductor.
 - (2) Evitați depozitarea cartușului acumulatorului la un loc cu alte obiecte metalice cum ar fi cuie, monede etc.
 - (3) Nu expuneți cartușul acumulatorului la apă sau ploaie.

Un scurtcircuit al acumulatorului poate provoca un flux puternic de curent electric, supraîncălzire, posibile arsuri și chiar defectarea mașinii.

6. Nu depozitați mașina și cartușul acumulatorului în spații în care temperatura poate atinge sau depăși 50 °C (122 °F).
7. Nu incinerati cartușul acumulatorului chiar dacă acesta este grav deteriorat sau complet uzat. Cartușul acumulatorului poate exploda în foc.
8. Aveți grijă să nu scăpați sau să loviți acumulatorul.
9. Nu utilizați un acumulator deteriorat.
10. Acumulatorii Li-Ion încorporați se supun cerințelor Legislației privind substanțele periculoase.

Pentru transporturi comerciale, efectuate de exemplu de către părți terțe, expeditori, trebuie respectate cerințele speciale de ambalare și etichetare.

Pentru pregătirea articolului care urmează să fie expediat, este necesară consultarea unui expert în materiale periculoase. Vă rugăm să respectați, de asemenea, reglementările naționale, care pot fi mai detaliate.

Izolați sau acoperiți contactele deschise și împachetați acumulatorul în așa fel încât să nu se poată mișca în ambalaj.

11. Respectați normele naționale privind eliminarea la deșeurii a acumulatorului.
12. Utilizați acumulatoroarele numai cu produsele specificate de Makita. Instalarea acumulatoroarelor în produse neconforme poate cauza incendii, căldură excesivă, explozii sau scurgeri de electrolit.

PĂSTRAȚI ACESTE INSTRUCȚIUNI.

⚠ATENȚIE: Folosiți numai acumulatori Makita originali. Acumulatorii Makita care nu sunt originali și acumulatorii care au suferit modificări se pot aprinde, provocând incendii, leziuni corporale și daune. De asemenea, anulează garanția oferită de Makita pentru unele și încărcătorul Makita.

Sfaturi pentru obținerea unei durate maxime de exploatare a acumulatorului

1. Încărcați cartușul acumulatorului înainte de a se descărca complet. Întrerupeți întotdeauna funcționarea mașinii și încărcați cartușul acumulatorului când observați o scădere a puterii mașinii.
2. Nu reîncărcați niciodată un acumulator complet încărcat. Supraîncărcarea va scurta durata de exploatare a acumulatorului.
3. Încărcați cartușul acumulatorului la temperatura camerei, între 10 °C - 40 °C (50 °F - 104 °F). Lăsați un acumulator fierbinte să se răcească înainte de a-l încărca.
4. Încărcați cartușul acumulatorului în cazul în care nu a fost utilizat pe o perioadă mai lungă (mai mult de șase luni).

Instrucțiuni importante privind siguranța pentru unitatea wireless

1. Nu dezasaamblați sau interveniți asupra unității wireless.
2. Țineți unitatea wireless la distanță de copii mici. Dacă este înghițită accidental, consultați imediat un medic.
3. Utilizați unitatea wireless numai cu mașini Makita.
4. Nu expuneți unitatea wireless la ploaie sau la condiții de umiditate.
5. Nu utilizați unitatea wireless în locuri unde temperatura depășește 50°C.
6. Nu operați unitatea wireless în apropierea unor instrumente medicale, precum stimulatorul cardiac.
7. Nu operați unitatea wireless în apropierea unor dispozitive automate. Dacă sunt operate, dispozitivele automate pot dezvolta funcționări defectuoase sau erori.
8. Unitatea wireless poate produce câmpuri electromagnetice (CEM), însă acestea nu sunt dăunătoare pentru utilizator.
9. Unitatea wireless este un instrument de precizie. Aveți grijă să nu scăpați sau să loviți unitatea wireless.
10. Evitați să atingeți borna unității wireless cu mâinile neacoperite sau cu materiale metalice.
11. Scoateți întotdeauna acumulatorul din mașină atunci când instalați unitatea wireless.
12. Atunci când deschideți clapeta de închidere a fantei, evitați locurile unde praful sau apa poate pătrunde în fantă. Mențineți întotdeauna curat orificiul de admisie al fantei.

13. Introduceți întotdeauna unitatea wireless în direcția corectă.
14. Nu apăsați cu forță excesivă butonul de activare wireless de pe unitatea wireless și/sau nu apăsați butonul cu un obiect cu o margine ascuțită.
15. Închideți întotdeauna clapeta de închidere a fantei atunci când lucrați.
16. Nu scoateți unitatea wireless din fantă în timp ce mașina este alimentată cu energie. În caz contrar, unitatea wireless poate funcționa defectuos.
17. Nu îndepărtați autocolantul de pe unitatea wireless.
18. Nu aplicați niciun autocolant pe unitatea wireless.
19. Nu lăsați unitatea wireless într-un loc unde s-ar putea genera electricitate statică sau zgomot electric.
20. Nu lăsați unitatea wireless într-un loc supus temperaturilor ridicate, cum ar fi o mașină parcată în soare.
21. Nu lăsați unitatea wireless într-un loc în care se produce praf sau pulbere sau într-un loc unde s-ar putea genera gaze corozive.
22. Schimbarea bruscă de temperatură poate duce la înrourarea unității wireless. Nu utilizați unitatea wireless înainte ca picăturile de rouă să se fi uscat complet.
23. Atunci când curățați unitatea wireless, ștergeți delicat cu o lavetă moale și uscată. Nu utilizați benzină, diluant, vaselină conductivă sau alt produs similar.
24. Atunci când depozitați unitatea wireless, păstrați-o în cutia furnizată sau într-un recipient fără electricitate statică.
25. Nu introduceți în fanta de pe mașină alte dispozitive în afară de unitatea wireless Makita.
26. Nu utilizați mașina dacă clapeta de închidere a fantei este deteriorată. Apa, praful și murdăria care pătrund în fantă pot provoca defectarea.
27. Nu trageți și/sau răsuciți clapeta de închidere mai mult decât este necesar. Puneți la loc clapeta de închidere dacă se desprinde de pe mașină.
28. Înlocuiți clapeta de închidere a fantei dacă se pierde sau dacă este deteriorată.

PĂSTRAȚI ACESTE INSTRUCȚIUNI.

DESCRIEREA FUNCȚIILOR

ATENȚIE: Asigurați-vă întotdeauna că mașina este oprită și cartușul acumulatorului este scos înainte de a ajusta sau verifica funcționarea mașinii.

Instalarea sau scoaterea cartușului acumulatorului

ATENȚIE: Opriti întotdeauna mașina înainte de montarea sau demontarea cartușului de acumulator.

ATENȚIE: Țineți ferm mașina și cartușul acumulatorului la montarea sau demontarea cartușului. În cazul în care nu țineți ferm mașina și cartușul de acumulator, acestea vă pot aluneca din mâini, rezultând defectarea mașinii și cartușului de acumulator, precum și în accidentări personale.

► Fig.7: 1. Indicator roșu 2. Buton 3. Cartușul acumulatorului

Pentru a scoate cartușul acumulatorului, glisați-l din mașină în timp ce glisați butonul de pe partea frontală a cartușului.

Pentru a instala cartușul acumulatorului, aliniați limba de pe cartușul acumulatorului cu canelura din carcasă și introduceți-l în locaș. Introduceți-l complet, până când se înclichetează în locaș. Dacă puteți vedea indicatorul roșu din partea superioară a butonului, acesta nu este blocat complet.

ATENȚIE: Instalați întotdeauna cartușul acumulatorului complet, până când indicatorul roșu nu mai este vizibil. În caz contrar, acesta poate cădea accidental din mașină provocând rănirea dumneavoastră sau a persoanelor din jur.

ATENȚIE: Nu forțați cartușul acumulatorului la montare. Dacă acesta nu glisează ușor, înseamnă că a fost introdus incorect.

NOTĂ: Mașina nu funcționează doar cu un singur cartuș de acumulator.

Sistem de protecție mașină/acumulator


Mașina este prevăzută cu un sistem de protecție mașină/acumulator. Sistemul întrerupe automat alimentarea motorului pentru a extinde durata de viață a mașinii și acumulatorului. Mașina se va opri automat în timpul funcționării dacă mașina sau acumulatorul se află într-una din situațiile următoare. În unele situații, indicatoarele luminează.

Protecție la suprasarcină

Când mașina este utilizată într-un mod care duce la un consum de curent anormal de ridicat, mașina se va opri automat. În această situație, opriți mașina și întrerupeți aplicația care a dus la suprasolicitarea mașinii. Apoi, reporniți mașina.

Protecție la supraîncălzire

Când mașina este supraîncălzită, aceasta se oprește automat și indicatorul acumulatorului luminează intermitent timp de circa 60 de secunde. În această situație, lăsați mașina să se răcească înainte de a o reporni.

<input type="checkbox"/> pornit	<input checked="" type="checkbox"/> Iluminare intermitentă
	





Protecție la supradescărcare

Când capacitatea acumulatorului scade, mașina se oprește automat. Dacă produsul nu funcționează deși întreruptoarele sunt acționate, scoateți acumulatorii din mașină și încărcați-i.

Indicarea capacității rămase a acumulatorului

► **Fig.8:** 1. Indicator acumulator (pentru bateria superioară) 2. Buton de verificare 3. Indicator acumulator (pentru bateria inferioară)

Apăsați butonul de verificare pentru indicarea capacității rămase a acumulatorului. Indicațiile de acumulator corespund fiecărui acumulator.

Stare indicator acumulator			Capacitatea rămasă a acumulatorului
<input type="checkbox"/> Pornit	<input type="checkbox"/> Oprit	<input checked="" type="checkbox"/> Iluminare intermitentă	
			între 50% și 100%
			între 20% și 50%
			între 0% și 20%
			Încărcați acumulatorul

Indicarea capacității rămase a acumulatorului

Numai pentru cartușe de acumulator cu indicator

► **Fig.9:** 1. Lămpi indicatoare 2. Buton de verificare

Apăsați butonul de verificare de pe cartușul acumulatorului, astfel încât să se indice capacitățile rămase ale acumulatorului. Lămpile indicatorului vor lumina timp de câteva secunde.

Lămpi indicatoare			Capacitate rămasă
<input checked="" type="checkbox"/> Iluminat	<input type="checkbox"/> Oprit	<input checked="" type="checkbox"/> Iluminare intermitentă	
■	■	■	între 75% și 100%
■	■	□	între 50% și 75%
■	□	□	între 25% și 50%
■	□	□	între 0% și 25%
◐	□	□	Încărcați acumulatorul.
■	■	□	Este posibil ca acumulatorul să fie defect.
□	□	■	

NOTĂ: În funcție de condițiile de utilizare și temperatura ambientală, indicația poate fi ușor diferită de capacitatea reală.

Funcție de schimbare automată a turației

NOTĂ: Funcția de schimbare automată a vitezei este disponibilă numai atunci când discul rotativ este la poziția 5.

Această mașină are un „mod de turație ridicată” și un „mod de cuplu ridicat”.

Mașina schimbă automat modul de operare în funcție de sarcina de lucru. Atunci când sarcina de lucru este scăzută, mașina va funcționa în „modul de turație ridicată”, pentru o operație de tăiere mai rapidă. Atunci când sarcina de lucru este ridicată, mașina va funcționa în „modul de cuplu ridicat”, pentru o operație de tăiere puternică.

► **Fig.10:** 1. Indicator mod

Indicatorul de mod luminează în culoarea verde atunci când mașina funcționează în „modul de cuplu ridicat”. Dacă mașina este utilizată cu sarcină excesivă, indicatorul de mod va lumina intermitent în verde. Indicatorul de mod încetează să lumineze intermitent și apoi se aprinde sau se stinge dacă reduceți sarcina de la mașină.

Stare indicator mod			Mod de operare
<input checked="" type="checkbox"/> Pornit	<input type="checkbox"/> Oprit	<input checked="" type="checkbox"/> Iluminare intermitentă	
○	○	○	Mod turație ridicată
●	○	○	Mod cuplu ridicat
○	○	◐	Alertă de suprasarcină

Reglarea adâncimii de tăiere

⚠️ ATENȚIE: După reglarea adâncimii de tăiere, strângeți întotdeauna ferm șurubul de strângere.

Slăbiți șurubul de strângere de la ghidajul de reglare a adâncimii și deplasați opritorul inferior al pânzei la adâncimea dorită pe placa gradată. La adâncimea de tăiere dorită, strângeți ferm șurubul de strângere. Pentru tăieturi mai curate și mai sigure, reglați adâncimea de tăiere astfel încât să nu iasă mai mulți dinți ai pânzei sub piesa de lucru. Utilizarea unei adâncimi de tăiere corecte ajută la reducerea potențialului de apariție a unui RECVL periculos, care poate provoca vătămări.

► **Fig.11:** 1. Opritor inferior al pânzei 2. Șurub de strângere

Buton de oprire rapidă pentru o adâncime de tăiere între 2 și 3 mm atunci când utilizați șina de ghidare (accesoriu opțional)

Această mașină dispune de un buton de oprire rapidă pentru adâncimi de tăiere de 2 până la 3 mm pe carcasa angrenajului, lângă mânerul posterior, atunci când se utilizează șina de ghidare. Acesta este utilizat pentru evitarea apariției așchiilor în tăietura din piesa de prelucrat. Executați o primă trecere de tăiere de 2 până la 3 mm și apoi executați o trecere de tăiere normală.

► **Fig.12:** 1. Buton de oprire rapidă

Pentru a obține adâncimea de tăiere de 2 până la 3 mm, apăsați butonul de oprire rapidă către pânda de ferăstrău. Această metodă este convenabilă atunci când doriți să evitați apariția așchiilor la piesa prelucrată. Pentru a elibera adâncimea de tăiere din această poziție pentru o tăiere la o adâncime liberă, trebuie doar să trageți butonul înapoi.

Tăiere înclinată

Slăbiți șuruburile de strângere. Stabiliți unghiul dorit prin înclinare adecvată, apoi strângeți ferm șuruburile de strângere.

► **Fig.13:** 1. Șurub de strângere 2. Placă gradată pentru reglarea înclinației

► **Fig.14:** 1. Suport (Accesoriu opțional) 2. Șurub de strângere

Opritor pozitiv

Opritorul pozitiv este util pentru setarea rapidă a unghiului indicat. Rotiți opritorul pozitiv astfel încât săgeata să fie orientată spre 22,5°. Slăbiți șuruburile de strângere din față și din spate. Apoi, înclinați pânda până când se oprește și fixați talpa cu șuruburile de strângere.

► **Fig.15:** 1. Opritor pozitiv 2. Șurub de strângere

Tăiere înclinată la 48°

Pentru a executa tăierea înclinată la 48°, slăbiți șuruburile de strângere și înclinați complet pârghia spre direcția săgeții din figură. Apoi, setați unghiul de înclinație la 48° și strângeți șuruburile de strângere.

► **Fig.16:** 1. Pârghie

Tăiere înclinată la -1°

Pentru a executa tăierea înclinată la -1°, slăbiți șuruburile de strângere și apăsați pârghiile spre direcția săgeții din figură. Apoi, setați unghiul de înclinație la -1° și strângeți șuruburile de strângere.

► **Fig.17:** 1. Pârghie

Reperare

► **Fig.18:** 1. Talpă

Linia de tăiere variază în funcție de unghiul de tăiere și de faptul dacă utilizați sau nu șina de ghidare (accesoriu opțional).

Când utilizați mașina fără șina de ghidare

Pentru tăieri drepte, aliniați poziția A din partea din față a tălpii cu linia dumneavoastră de tăiere. Pentru tăieri înclinate la 45°, aliniați poziția B cu aceasta.

Când utilizați mașina cu șina de ghidare

Atât pentru tăieri drepte, cât și pentru tăieri înclinate la 45°, aliniați întotdeauna poziția A din partea din față a tălpii cu linia dumneavoastră de tăiere.

Aționarea întrerupătorului

⚠️ AVERTIZARE: Înainte de a introduce cartușul acumulatorului în mașină, verificați întotdeauna dacă butonul declanșator funcționează corect și revine în poziția „OFF” (oprit) când este eliberat.

⚠️ AVERTIZARE: Nu dezactivați NICIODATĂ butonul de deblocare prin fixare cu bandă sau prin alte mijloace. Un comutator de deblocare anulat poate duce la operarea accidentală, cauzând potențiale leziuni grave.

⚠️ AVERTIZARE: Nu utilizați NICIODATĂ mașina dacă aceasta pornește la simpla apăsare a butonului declanșator, fără a apăsa butonul de deblocare. Un comutator defect poate duce la operarea accidentală, cauzând leziuni grave. Returnați mașina la un centru de service Makita pentru efectuarea reparațiilor corespunzătoare ÎNAINTE de a continua utilizarea acesteia.

Pentru a preveni acționarea accidentală a butonului declanșator, este prevăzut un buton de deblocare. Pentru a porni mașina, apăsați butonul de deblocare și trageți butonul declanșator. Eliberați butonul declanșator pentru a opri mașina.

► **Fig.19:** 1. Buton declanșator 2. Buton de deblocare

NOTĂ: Nu apăsați puternic butonul declanșator fără a apăsa butonul de deblocare. Comutatorul se poate rupe.

Disc rotativ pentru reglarea vitezei

Viteza mașinii poate fi reglată prin rotirea discului rotativ de reglare. Viteza de rotație a pânzei crește pe măsură ce crește numărul de pe disc rotativ pentru reglarea vitezei.

► **Fig.20:** 1. Disc rotativ pentru reglarea vitezei

Consultați tabelul pentru a selecta viteza corectă pentru piesa de prelucrat care trebuie tăiată. Totuși, este posibil ca viteza corectă să difere în funcție de tipul sau grosimea piesei de prelucrat. În general, vitezele mai mari vă permit să tăiați mai rapid piesele de prelucrat, însă durata de exploatare a pânzei se va reduce.

Număr	Viteza de rotație a pânzei pe minut (min ⁻¹)
1	2.500 min ⁻¹
2	2.900 min ⁻¹
3	3.900 min ⁻¹
4	4.900 min ⁻¹
5	6.300 min ⁻¹

ATENȚIE: Discul rotativ pentru reglarea vitezei nu este destinat pentru folosirea pânzelor de ferăstrău de turajie joasă, ci pentru obținerea unei viteze adecvate pentru materialul piesei de prelucrat. Utilizați numai pânze de ferăstrău care sunt adecvate cel puțin pentru viteză maximă fără sarcină menționată în SPECIFICAȚII.

NOTĂ: Discul rotativ pentru reglarea vitezei poate fi rotit numai până la poziția 5 și înapoi la poziția 1. Nu îl forțați peste pozițiile 5 sau 1, deoarece funcția de reglare a vitezei se poate defecta.

Funcție electronică

Mașinile echipate cu funcție electronică sunt ușor de utilizat datorită următoarelor caracteristici.

Protecție la suprasarcină

Când mașina este supraîncăcată și fluxul de curent depășește un anumit nivel, mașina se oprește automat pentru a proteja motorul.

Control constant al vitezei

Control electronic al vitezei pentru obținerea unei viteze constante. Permite obținerea unei finisări de calitate, deoarece viteza de rotație este menținută constantă chiar și în condiții de sarcină.

Funcție de pornire lină

Pornire lină datorită suprimării șocului de pornire.

ASAMBLARE

ATENȚIE: Asigurați-vă întotdeauna că mașina este oprită și cartușul acumulatorului este scos înainte de a executa orice lucrări la mașină.

Depozitarea cheii imbus

Atunci când nu este utilizată, depozitați cheia imbus după cum se vede în figură pentru a nu se pierde.

► Fig.21: 1. Cheie imbus

Demontarea sau montarea pânzei de ferăstrău circular

ATENȚIE: Asigurați-vă că pânza de ferăstrău circular este montată cu dinții îndreptați în sus în partea frontală a mașinii.

ATENȚIE: Folosiți numai cheia Makita la montarea și demontarea pânzei de ferăstrău circular.

Pentru a scoate pânza de ferăstrău circular:

1. Apăsăți butonul de deblocare și coborâți puțin mânerul. Rotiți pârghia de blocare și coborâți mânerul până când știftul de blocare se încadrează în orificiu.

► Fig.22: 1. Buton de deblocare 2. Pârghie de blocare 3. Știft de blocare 4. Orificiu pentru știftul de blocare

2. Apăsăți complet pârghia de blocare a axului astfel încât pânza să nu se poată roti și folosiți cheia imbus pentru a deșuruba șurubul cu cap hexagonal.

► Fig.23: 1. Pârghie de blocare a axului 2. Cheie imbus 3. Strângere 4. Deșurubare

3. Îndepărtați șurubul cu cap hexagonal, flanșa exterioră și pânza de ferăstrău circular.

► Fig.24: 1. Bolț cu cap hexagonal 2. Flanșă exterioră 3. Flanșă interioară 4. Pânză de ferăstrău circular

AVERTIZARE: În cazul în care flanșa interioară este îndepărtată, aveți grijă să o instalați pe arbore. În timpul instalării, alegeți partea corectă cu proeminența care se încadrează perfect în orificiul pânzei de ferăstrău. Montarea pânzei pe partea incorectă poate duce la vibrații periculoase.

Pentru a instala pânza de ferăstrău circular, executați în ordine inversă operațiile de demontare. Apăsăți butonul de deblocare pentru a elibera știftul de blocare din orificiu.

AVERTIZARE: STRÂNGEȚI FERM ȘURUBUL CU CAP HEXAGONAL. Aveți grijă să nu forțați șurubul la strângere. Alunecarea mâinii pe cheia imbus poate provoca vătămarea personală.

Curățarea apărătoarei pânzei

La schimbarea pânzei de ferăstrău circular, aveți grijă să curățați și rumegușul acumulat pe apărătoarea pânzei, conform secțiunii Întreținerea. Această operație nu elimină necesitatea de a verifica funcționarea apărătoarei înainte de fiecare utilizare.

Conectarea unui aspirator

Accesorii opționale

Dacă doriți să executați operații de tăiere curate, conectați la mașina dumneavoastră un aspirator Makita. Conectați un furtun al aspiratorului la duza de praf utilizând garniturile frontale 24.

► Fig.25: 1. Furtunul aspiratorului 2. Garnituri frontale 24 3. Duză de praf

OPERAREA

ATENȚIE: Aveți grijă să deplasați mașina înainte lent, în linie dreaptă. Forțarea sau răsucirea mașinii vor avea ca efect supraîncălzirea motorului și recurluri periculoase, prezentând risc de vătămare gravă.

ATENȚIE: Nu apropiați niciodată nicio parte a corpului sub talpa mașinii atunci când secționați, în special la pornire. Există pericol de vătămări corporale grave dacă nu respectați acest avertisment. Pânza este expusă sub talpa mașinii.

NOTĂ: Când temperatura cartușului acumulatorului este redusă, mașina nu va lucra la capacitatea nominală. În acest caz, utilizați un timp mașina pentru a efectua tăieri ușoare până când cartușul acumulatorului ajunge la temperatura încăperii. Apoi, mașina poate fi utilizată la capacitatea nominală.

Secționare (tăiere obișnuită)

► Fig.26

Țineți bine mașina. Mașina este echipată cu un mâner frontal de prindere, precum și cu un mâner în partea din spate. Folosiți-le pe ambele pentru a apuca ferm mașina. Dacă țineți ferăstrăul cu ambele mâini, nu există riscul tăierii acestora cu pânza de ferăstrău circular. Așezați talpa pe piesa de prelucrat fără ca pânza de ferăstrău circular să intre în contact cu aceasta. Apoi apăsați butonul de deblocare și acționați butonul declanșator. Așteptați până când pânza de ferăstrău circular atinge viteza maximă. Apoi împingeți încet în jos capul ferăstrăului până la adâncimea de tăiere prestabilită și deplasați pur și simplu mașina înainte pe suprafața piesei de prelucrat, menținând-o în poziție orizontală și avansând lent până la finalizarea tăierii. Pentru a obține tăieturi curate, mențineți o linie de tăiere dreaptă și o viteză de avans uniformă. Dacă nu reușiți să urmăriți corect linia de tăiere preconizată, nu încercați să rotiți sau să forțați mașina înapoi către linia de tăiere. Dacă faceți acest lucru, puteți să îndoiți pânza de ferăstrău circular, existând riscul unor reculuri periculoase și posibile vătămări grave. Eliberați butonul declanșator, așteptați ca pânza de ferăstrău circular să se oprească și apoi retrageți mașina. Realiniați mașina cu noua linie de tăiere și reîncepeți tăierea. Încercați să evitați pozițiile care expun operatorul la așchiile și rumegușul aruncate de ferăstrău. Utilizați dispozitive de protecție a ochilor pentru a evita vătămarea.

Șină de ghidare

Accesoriu opțional

Așezați mașina pe capătul posterior al șinei de ghidare. Rotiți două șuruburi de reglare de pe talpa mașinii astfel încât mașina să gliseze lin, fără bătaii. Țineți mașina ferm atât de mânerul frontal, cât și de mânerul posterior. Porniți mașina, presați-o în jos până la adâncimea de tăiere prestabilită și tăiați pe întreaga lungime a apărătoarei de așchii dintr-o singură mișcare. Acum, muchia apărătoarei de așchii corespunde cu muchia de tăiere.

► Fig.27: 1. Șuruburi de reglare

Când executați tăierea înclinată cu șina de ghidare, utilizați pârghia glisantă pentru a preveni răsturnarea mașinii.

Mutați pârghia glisantă pe talpa mașinii în direcția săgeții, astfel încât să intre în canelura interioară din șina de ghidare.

► Fig.28: 1. Pârghie glisantă

Suport (riglă de ghidare)

Accesoriu opțional

Prin utilizarea suportului ca riglă de ghidare, puteți executa tăieri drepte foarte precise. Slăbiți șuruburile de strângere și glisați suportul afară din mașină, apoi introduceți-l în poziție inversată.

► Fig.29: 1. Șurub de strângere 2. Suport

Glisați pur și simplu rigla de ghidare perfect pe latura piesei de prelucrat și fixați-o în poziție cu șuruburile de strângere. Aceasta permite, de asemenea, executarea de tăieri repetate de lățime uniformă.

► Fig.30: 1. Șurub de strângere 2. Suport

Tăierea prin pătrundere (decuparea)

⚠️ AVERTIZARE: Pentru a evita reculul, aveți grijă să respectați următoarele instrucțiuni.

► Fig.31: 1. Muchia posterioară a tălpii mașinii
2. Opritor fix

Când utilizați mașina fără șina de ghidare, plasați mașina pe piesa de prelucrat cu partea din spate a tălpii mașinii pe un opritor fix sau ceva asemănător proiectat de un operator.

Așezați mașina cu șina de ghidare, plasați mașina pe șina de ghidare cu capătul posterior al tălpii lipit de un opritor fix sau ceva asemănător, care este fixat de șina de ghidare.

Țineți mașina ferm cu o mână de mânerul frontal și cu cealaltă de mânerul mașinii. Apoi apăsați butonul de deblocare și porniți mașina, după care așteptați ca pânza să atingă viteza maximă. Apoi împingeți încet în jos capul ferăstrăului până la adâncimea de tăiere prestabilită și deplasați pur și simplu mașina înainte în poziția de pătrundere dorită.

NOTĂ: Marcajele de pe partea laterală a apărătoarei pânzei arată punctele de tăiere frontală și posterioară pentru pânza de ferăstrău la adâncimea maximă de tăiere atunci când se utilizează șina de ghidare.

► Fig.32: 1. Punct de tăiere frontal 2. Punct de tăiere posterior

Dispozitiv de ghidare

Accesoriu opțional

Utilizarea ghidajului de tăiere obișnuită permite tăieri oblice exacte și lucrări de montaj.

Utilizarea clemei asigură o susținere fermă a piesei de prelucrat pe masă.

FUNCȚIA DE ACTIVARE WIRELESS

Numai pentru DSP601

Ce puteți face cu funcția de activare wireless

Funcția de activare wireless face posibilă o utilizare curată și confortabilă. Conectând un aspirator acceptat la mașină, puteți rula automat aspiratorul, împreună cu operația de comutare a mașinii.

► Fig.33

Pentru a utiliza funcția de activare wireless, pregătiți următoarele elemente:

- O unitate wireless (accesoriu opțional)
- Un aspirator care acceptă funcția de activare wireless

Prezentarea generală a setării funcției de activare wireless este după cum urmează. Consultați fiecare secțiune pentru proceduri detaliate.

1. Instalarea unității wireless
2. Înregistrarea mașinii pentru aspirator
3. Pornirea funcției de activare wireless

Instalarea unității wireless

Accesorii opționale

ATENȚIE: Așezați mașina pe o suprafață plană și stabilă atunci când instalați unitatea wireless.

NOTĂ: Curățați praful și murdăria de pe mașină înainte de a instala unitatea wireless. Praful sau murdăria poate cauza funcționarea defectuoasă dacă pătrunde în fanta unității wireless.

NOTĂ: Pentru a preveni funcționarea defectuoasă cauzată de energia statică, atingeți un material de descărcare statică, precum o parte din metal a mașinii, înainte de a ridica unitatea wireless.

NOTĂ: Atunci când instalați unitatea wireless, asigurați-vă întotdeauna de introducerea unității wireless în direcția corectă și de închiderea completă a clapetei de închidere.

1. Deschideți clapeta de închidere de pe mașină după cum se vede în figură.

► **Fig.34:** 1. Clapetă de închidere

2. Introduceți unitatea wireless în fantă și apoi închideți clapeta de închidere.

Atunci când introduceți unitatea wireless, aliniați proeminențele cu porțiunile infundate de pe fantă.

► **Fig.35:** 1. Unitate wireless 2. Proeminență 3. Clapetă de închidere 4. Porțiune infundată

Atunci când scoateți unitatea wireless, deschideți lent clapeta de închidere. Cârligele de pe partea din spate a clapetei de închidere ridică unitatea wireless pe măsură ce trageți în sus clapeta de închidere.

► **Fig.36:** 1. Unitate wireless 2. Cârlig 3. Clapetă de închidere

După ce scoateți unitatea wireless, păstrați-o în cutia furnizată sau într-un recipient fără electricitate statică.

NOTĂ: Utilizați întotdeauna cârligele de pe partea din spate a clapetei de închidere atunci când scoateți unitatea wireless. În cazul în care cârligele nu prind unitatea wireless, închideți complet clapeta de închidere și deschideți-o din nou lent.

Înregistrarea mașinii pentru aspirator

NOTĂ: Pentru înregistrarea mașinii este necesar un aspirator Makita care acceptă funcția de activare wireless.

NOTĂ: Finalizați instalarea unității wireless la mașină înainte de a începe înregistrarea mașinii.

NOTĂ: În timpul înregistrării mașinii, nu trageți butonul declanșator și nu porniți întrerupătorul de pornire/oprire de pe aspirator.

NOTĂ: Consultați de asemenea manualul de instrucțiuni al aspiratorului.

Dacă doriți să activați aspiratorul odată cu operația de comutare a mașinii, finalizați mai întâi înregistrarea mașinii.

1. Instalați acumulatorii la aspirator și la mașină.

2. Setează comutatorul de stare de așteptare de pe aspirator pe „AUTO”.

► **Fig.37:** 1. Comutator de stare de așteptare

3. Apăsăți butonul de activare wireless de pe aspirator timp de 3 secunde până când lampa de activare wireless luminează intermitent cu verde. Apoi, apăsați butonul de activare wireless de pe mașină în același mod.

► **Fig.38:** 1. Buton de activare wireless 2. Lampă de activare wireless

Dacă aspiratorul și mașina sunt conectate cu succes, lămpile de activare wireless se vor aprinde cu verde timp de 2 secunde și vor începe să lumineze intermitent cu albastru.

NOTĂ: Lămpile de activare wireless încetează să lumineze intermitent cu verde după scurgerea a 20 de secunde. Apăsăți butonul de activare wireless de pe mașină în timp ce lampa de activare wireless de pe aparatul de curățat luminează intermitent. Dacă lampa de activare wireless nu luminează intermitent cu verde, apăsați scurt butonul de activare wireless și țineți-l din nou apăsat.

NOTĂ: Atunci când efectuați două sau mai multe înregistrări ale mașinii pentru un aspirator, finalizați pe rând fiecare înregistrare.

Pornirea funcției de activare wireless

NOTĂ: Finalizați înregistrarea mașinii pentru aspirator înainte de activarea wireless.

NOTĂ: Consultați de asemenea manualul de instrucțiuni al aspiratorului.

După înregistrarea unei mașini la aspirator, aspiratorul va rula automat, împreună cu operația de comutare a mașinii.

1. Instalați unitatea wireless la mașină.

2. Conectați furtunul aspiratorului cu mașina.

► **Fig.39**

3. Setează comutatorul de stare de așteptare de pe aspirator pe „AUTO”.

► **Fig.40:** 1. Comutator de stare de așteptare

4. Apăsăți scurt butonul de activare wireless de pe mașină. Lampa de activare wireless va lumina intermitent cu albastru.

► **Fig.41:** 1. Buton de activare wireless 2. Lampă de activare wireless

5. Trageți butonul declanșator al mașinii. Verificați dacă aspiratorul funcționează în timp ce se trage butonul declanșator.

Pentru a opri activarea wireless a aspiratorului, apăsați butonul de activare wireless de pe mașină.

NOTĂ: Lampa de activare wireless de pe mașină va înceta să lumineze intermitent cu albastru atunci când nu există funcționare timp de 2 ore. În acest caz, setați comutatorul de stare de așteptare de pe aspirator pe „AUTO” și apăsați din nou buton de activare wireless.

NOTĂ: Aspiratorul pornește/se oprește cu o amănare. Există o întârziere atunci când aspiratorul detectează o operație de comutare a mașinii.

NOTĂ: Distanța de transmisie a unității wireless poate varia în funcție de locație și circumstanțele aferente.

NOTĂ: Atunci când două sau mai multe mașini sunt înregistrate la un aspirator, aspiratorul poate începe să ruleze chiar dacă nu trageți butonul declanșator, deoarece un alt utilizator folosește funcția de activare wireless.

Descrierea stării lămpii de activare wireless

► Fig.42: 1. Lampă de activare wireless

Lampa de activare wireless indică starea funcției de activare wireless. Consultați tabelul de mai jos pentru semnificația stării lămpii.

Stare	Lampă de activare wireless				Descriere
	Culoare	<input type="checkbox"/> Pornit	<input checked="" type="checkbox"/> Iluminare intermitentă	Durată	
Standby	Albastru	<input checked="" type="checkbox"/>		2 ore	Activarea wireless a aspiratorului este disponibilă. Lampa se va stinge automat atunci când nu are loc nicio operație timp de 2 ore.
		<input type="checkbox"/>		Atunci când mașina este în funcțiune.	Activarea wireless a aspiratorului este disponibilă și mașina este în funcțiune.
Înregistrarea mașinii	Verde	<input checked="" type="checkbox"/>		20 secunde	Gata pentru înregistrarea mașinii. Se așteaptă înregistrarea de către aspirator.
		<input type="checkbox"/>		2 secunde	Înregistrarea mașinii a fost finalizată. Lampa de activare wireless va începe să lumineze intermitent cu albastru.
Anularea înregistrării mașinii	Roșu	<input checked="" type="checkbox"/>		20 secunde	Gata pentru anularea înregistrării mașinii. Se așteaptă anularea de către aspirator.
		<input type="checkbox"/>		2 secunde	Anularea înregistrării mașinii a fost finalizată. Lampa de activare wireless va începe să lumineze intermitent cu albastru.
Altele	Roșu	<input type="checkbox"/>		3 secunde	Unitatea wireless este alimentată cu energie și se lansează funcția de activare wireless.
	Oprit	-		-	Activarea wireless a aspiratorului este oprită.

Anularea înregistrării mașinii pentru aspirator

Efectuați următoarea procedură atunci când anulați înregistrarea mașinii pentru aspirator.

- Instalați acumulatorii la aspirator și la mașină.
- Setați comutatorul de stare de așteptare de pe aspirator pe „AUTO”.

► Fig.43: 1. Comutator de stare de așteptare

- Apăsați butonul de activare wireless de pe aspirator timp de 6 secunde. Lampă de activare wireless luminează intermitent cu verde și apoi devine roșie. După aceasta, apăsați butonul de activare wireless de pe mașină în același mod.

► Fig.44: 1. Buton de activare wireless 2. Lampă de activare wireless

Dacă anularea este efectuată cu succes, lămpile de activare wireless se vor aprinde cu roșu timp de 2 secunde și vor începe să lumineze intermitent cu albastru.

NOTĂ: Lămpile de activare wireless încetează să lumineze intermitent cu roșu după scurgerea a 20 de secunde. Apăsați butonul de activare wireless de pe mașină în timp ce lampa de activare wireless de pe aparatul de curățat luminează intermitent. Dacă lampa de activare wireless nu luminează intermitent cu roșu, apăsați scurt butonul de activare wireless și țineți-l din nou apăsat.

Depanarea funcției de activare wireless

Înainte de a solicita reparații, efectuați mai întâi propria inspecție. În cazul în care găsiți o problemă care nu este explicată în manual, nu încercați să demontați echipamentul. În schimb, adresați-vă Centrelor de service autorizate Makita, utilizând întotdeauna piese de schimb Makita pentru reparații.

Stare de anomalitate	Cauză probabilă (defecțiune)	Remediu
Lampa de activare wireless nu se aprinde/nu luminează intermitent.	Unitatea wireless nu este instalată în mașină. Unitatea wireless este instalată necorespunzător în mașină.	Instalați corect unitatea wireless.
	Borna unității wireless și/sau fanta este murdară.	Ștergeți delicat praful și murdăria de pe borna unității wireless și curățați fanta.
	Butonul de activare wireless de pe mașină nu a fost apăsat.	Apăsați scurt butonul de activare wireless de pe mașină.
	Comutatorul de stare de așteptare de pe aspirator nu este setat pe „AUTO”.	Setați comutatorul de stare de așteptare de pe aspirator pe „AUTO”.
	Nicio sursă de alimentare	Alimentați cu energie mașina și aspiratorul.
Înregistrarea mașinii/anularea înregistrării mașinii nu poate fi finalizată cu succes.	Unitatea wireless nu este instalată în mașină. Unitatea wireless este instalată necorespunzător în mașină.	Instalați corect unitatea wireless.
	Borna unității wireless și/sau fanta este murdară.	Ștergeți delicat praful și murdăria de pe borna unității wireless și curățați fanta.
	Comutatorul de stare de așteptare de pe aspirator nu este setat pe „AUTO”.	Setați comutatorul de stare de așteptare de pe aspirator pe „AUTO”.
	Nicio sursă de alimentare	Alimentați cu energie mașina și aspiratorul.
	Funcționare incorectă	Apăsați scurt butonul de activare wireless și efectuați din nou procedurile de înregistrare/anulare.
	Mașina și aspiratorul se află la distanță unul de celălalt (în afara ariei de transmisie).	Aduceți mașina și aspiratorul mai aproape unul de celălalt. Distanța maximă de transmisie este de aproximativ 10 m, însă aceasta poate varia în funcție de circumstanțe.
	Înainte de a finaliza înregistrarea mașinii/anularea - butonul declanșator de pe mașină este tras sau - butonul de pornire de pe aspirator este activat.	Apăsați scurt butonul de activare wireless și efectuați din nou procedurile de înregistrare/anulare.
	Procedurile de înregistrare a mașinii pentru mașină sau aspirator nu au fost finalizate.	Efectuați procedurile de înregistrare a mașinii atât pentru mașină, cât și aspirator, în același timp.
	Perturbații radioelectrice de la alte aparate care generează unde radio de mare intensitate.	Țineți mașina și aspiratorul la distanță de aparate precum dispozitive Wi-Fi și cupatoare cu microunde.
Aspiratorul nu funcționează odată cu operația de comutare a mașinii.	Unitatea wireless nu este instalată în mașină. Unitatea wireless este instalată necorespunzător în mașină.	Instalați corect unitatea wireless.
	Borna unității wireless și/sau fanta este murdară.	Ștergeți delicat praful și murdăria de pe borna unității wireless și curățați fanta.
	Butonul de activare wireless de pe mașină nu a fost apăsat.	Apăsați scurt butonul de activare wireless și asigurați-vă că lampa de activare wireless luminează intermitent cu albastru.
	Comutatorul de stare de așteptare de pe aspirator nu este setat pe „AUTO”.	Setați comutatorul de stare de așteptare de pe aspirator pe „AUTO”.
	La aspirator sunt înregistrate mai mult de 10 mașini.	Efectuați din nou înregistrarea mașinii. Dacă la aspirator sunt înregistrate mai mult de 10 mașini, mașina înregistrată prima va fi anulată automat.
	Aspiratorul a șters toate înregistrările mașinii.	Efectuați din nou înregistrarea mașinii.
	Nicio sursă de alimentare	Alimentați cu energie mașina și aspiratorul.
	Mașina și aspiratorul se află la distanță unul de celălalt (în afara ariei de transmisie).	Aduceți mașina și aspiratorul mai aproape unul de celălalt. Distanța maximă de transmisie este de aproximativ 10 m, însă aceasta poate varia în funcție de circumstanțe.
	Perturbații radioelectrice de la alte aparate care generează unde radio de mare intensitate.	Țineți mașina și aspiratorul la distanță de aparate precum dispozitive Wi-Fi și cupatoare cu microunde.
	Aspiratorul funcționează în timp ce butonul declanșator al mașinii nu este tras.	Alți utilizatori folosesc activarea wireless a aspiratorului cu mașinile acestora.

ÎNȚREȚINERE

⚠ATENȚIE: Asigurați-vă întotdeauna că mașina este oprită și cartușul acumulatorului scos înainte de a executa lucrările de inspecție și întreținere.

⚠ATENȚIE: Curățați apărătoarea pentru a vă asigura că nu s-a acumulat rumeguș care ar putea obstrucționa funcționarea sistemului de protecție. Un sistem de protecție murdar poate limita funcționarea corectă, rezultând vătămări personale grave. Cea mai eficientă metodă de efectuare a acestei operații de curățare este cu aer comprimat. **Dacă praful este suflat dinspre apărătoare, asigurați-vă că folosiți o protecție corespunzătoare pentru ochi și respirație.**

NOTĂ: Nu utilizați niciodată gazolină, benzină, diluant, alcool sau alte substanțe asemănătoare. În caz contrar, pot rezulta decolorări, deformări sau fisuri.

Reglarea preciziei tăierii la 0° și a tăierii la 45°

NOTĂ: Nu cuplați pârghiile pentru tăierea înclinată la -1° în timp ce reglați precizia de tăiere la 0°.

NOTĂ: Nu cuplați pârghia pentru tăierea înclinată la 48° în timp ce reglați precizia de tăiere la 45°.

Aceste reglaje au fost efectuate în fabrică. Dacă însă acestea sunt deplasate, le puteți regla conform procedurilor următoare.

1. Slăbiți ușor șuruburile de strângere de pe partea frontală și cea din spate a mașinii.
2. Reglarea unghiului pânzei.
► **Fig.45:** 1. Echer

Pentru a regla precizia de tăiere la 0°, așezați talpa perpendicular pe pânză cu ajutorul unui echer, al unui vinclu etc., răsucind șurubul de reglare.

- **Fig.46:** 1. Reglarea șurubului pentru tăierea la 0°

Pentru a regla precizia de tăiere la 45°, așezați talpa la 45° pe pânză cu ajutorul unui echer, răsucind șurubul de reglare.

- **Fig.47:** 1. Reglarea șurubului pentru tăierea la 45°

3. Strângeți șuruburile de strângere și faceți o probă de tăiere.

Pentru a menține SIGURANȚA și FIABILITATEA produsului, reparațiile și orice alte lucrări de întreținere sau reglare trebuie executate de centre de service Makita autorizate sau proprii, folosind întotdeauna piese de schimb Makita.

ACCESORII OPȚIONALE

⚠ATENȚIE: Folosiți accesoriile sau piesele auxiliare recomandate pentru mașina dumneavoastră Makita în acest manual. Utilizarea oricăror alte accesorii sau piese auxiliare poate prezenta risc de vătămare corporală. Utilizați accesorii și piesele auxiliare numai în scopul destinat.

Dacă aveți nevoie de asistență sau de mai multe detalii referitoare la aceste accesorii, adresați-vă centrului local de service Makita.

- Pânză de ferăstrău circular
- Suport
- Cheie imbus
- Șină de ghidare
- Ghidaj de tăiere oblică
- Dispozitiv de strângere
- Foaie
- Foaie de cauciuc
- Foaie de poziție
- Unitate wireless (pentru DSP601)
- Acumulator și încărcător original Makita

NOTĂ: Unele articole din listă pot fi incluse ca accesorii standard în ambalajul de scule. Acestea pot diferi în funcție de țară.

TECHNISCHE DATEN

Modell:		DSP600	DSP601
Sägeblattdurchmesser		165 mm	
Max. Schnitttiefe	bei 0°	56 mm	
	bei 45° Neigungswinkel	40 mm	
	bei 48° Neigungswinkel	38 mm	
Leerlaufdrehzahl		2.500 - 6.300 min ⁻¹	
Gesamtlänge		346 mm	
Nennspannung		36 V Gleichstrom	
Akku		BL1815N, BL1820, BL1820B, BL1830, BL1830B, BL1840, BL1840B, BL1850, BL1850B, BL1860B	
Ladegerät		DC18RC, DC18RD, DC18SD, DC18SE, DC18SF	
Nettogewicht		4,4 - 5,1 kg	

- Wir behalten uns vor, Änderungen der technischen Daten im Zuge der Entwicklung und des technischen Fortschritts ohne vorherige Ankündigung vorzunehmen.
- Die technischen Daten und der Akku können von Land zu Land unterschiedlich sein.
- Das Gewicht kann abhängig von dem Aufsatz (den Aufsätzen), einschließlich des Akkus, unterschiedlich sein. Die leichteste und die schwerste Kombination, gemäß dem EPTA-Verfahren 01/2014, sind in der Tabelle angegeben.

Vorgesehene Verwendung

Das Werkzeug ist speziell zur Durchführung von Tauchschnitten vorgesehen. Das Werkzeug ist auch für Längs- und Querschnitte in Holz vorgesehen. Wenn das Werkzeug mit einem regulären Kreissägeblatt bestückt wird, kann es zum Sägen von Aluminium, Kunststoff, Mineralkunststoff und ähnlichen Materialien verwendet werden.

Geräusch

Typischer A-bewerteter Geräuschpegel ermittelt gemäß EN62841:

Modell DSP600

Schalldruckpegel (L_{pA}): 92 dB (A)
 Schallleistungspegel (L_{WA}): 103 dB (A)
 Messunsicherheit (K): 3 dB (A)

Modell DSP601

Schalldruckpegel (L_{pA}): 92 dB (A)
 Schallleistungspegel (L_{WA}): 103 dB (A)
 Messunsicherheit (K): 3 dB (A)

⚠️ WARNUNG: Einen Gehörschutz tragen.

Schwingungen

Schwingungsgesamtwert (Drei-Achsen-Vektorsumme) ermittelt gemäß EN62841:

Modell DSP600

Arbeitsmodus: Schneiden von Holz
 Schwingungsemission ($a_{h,w}$): 2,5 m/s² oder weniger
 Messunsicherheit (K): 1,5 m/s²

Arbeitsmodus: Schneiden von Metall
 Schwingungsemission ($a_{h,m}$): 2,5 m/s² oder weniger
 Messunsicherheit (K): 1,5 m/s²

Modell DSP601

Arbeitsmodus: Schneiden von Holz
 Schwingungsemission ($a_{h,w}$): 2,5 m/s² oder weniger
 Messunsicherheit (K): 1,5 m/s²
 Arbeitsmodus: Schneiden von Metall
 Schwingungsemission ($a_{h,m}$): 2,5 m/s² oder weniger
 Messunsicherheit (K): 1,5 m/s²

HINWEIS: Der angegebene Schwingungsemissionswert wurde im Einklang mit der Standardprüfmethode gemessen und kann für den Vergleich zwischen Werkzeugen herangezogen werden.

HINWEIS: Der angegebene Schwingungsemissionswert kann auch für eine Vorbewertung des Gefährdungsgrads verwendet werden.

⚠️ WARNUNG: Die Schwingungsemission während der tatsächlichen Benutzung des Elektrowerkzeugs kann je nach der Benutzungsweise des Werkzeugs vom angegebenen Emissionswert abweichen.

⚠️ WARNUNG: Identifizieren Sie Sicherheitsmaßnahmen zum Schutz des Benutzers anhand einer Schätzung des Gefährdungsgrads unter den tatsächlichen Benutzungsbedingungen (unter Berücksichtigung aller Phasen des Arbeitszyklus, wie z. B. Ausschalt- und Leerlaufzeiten des Werkzeugs zusätzlich zur Betriebszeit).

EG-Konformitätserklärung

Nur für europäische Länder

Die EG-Konformitätserklärung ist als Anhang A in dieser Bedienungsanleitung enthalten.

SICHERHEITSWARNUNGEN

Allgemeine Sicherheitswarnungen für Elektrowerkzeuge

⚠️ WARNUNG: Lesen Sie alle mit diesem Elektrowerkzeug gelieferten Sicherheitswarnungen, Anweisungen, Abbildungen und technischen Daten durch. Eine Missachtung der unten aufgeführten Anweisungen kann zu einem elektrischen Schlag, Brand und/oder schweren Verletzungen führen.

Bewahren Sie alle Warnungen und Anweisungen für spätere Bezugnahme auf.

Der Ausdruck „Elektrowerkzeug“ in den Warnhinweisen bezieht sich auf Ihr mit Netzstrom (mit Kabel) oder Akku (ohne Kabel) betriebenes Elektrowerkzeug.

Sicherheitswarnungen für Akku-Handkreissäge

Schneidverfahren

- ⚠️ GEFAHR:** Halten Sie Ihre Hände vom Schnittbereich und vom Sägeblatt fern. Halten Sie mit der zweiten Hand den Zusatzgriff oder das Motorgehäuse. Wenn beide Hände die Säge halten, können sie nicht durch das Sägeblatt verletzt werden.
 - Fassen Sie nicht unter das Werkstück.** Die Schutzhaube bietet keinen Schutz auf der Unterseite des Werkstücks.
 - Stellen Sie die Schnitttiefe auf die Dicke des Werkstücks ein.** Das Sägeblatt darf nicht mehr als eine Zahnlänge auf der Unterseite des Werkstücks überstehen.
 - Halten Sie das Werkstück beim Schneiden niemals in Ihren Händen oder auf den Beinen. Sichern Sie das Werkstück auf einer stabilen Plattform.** Es ist wichtig, das Werkstück sachgemäß abzustützen, um Körperaussetzung, Klemmen des Sägeblatts oder Verlust der Kontrolle auf ein Minimum zu reduzieren.
- **Abb. 1**
- Halten Sie das Elektrowerkzeug an den isolierten Griffflächen, wenn Sie Arbeiten ausführen, bei denen die Gefahr besteht, dass das Schneidwerkzeug verborgene Kabel oder das eigene Kabel kontaktiert.** Bei Kontakt mit einem Strom führenden Kabel können die freiliegenden Metallteile des Elektrowerkzeugs ebenfalls Strom führend werden, so dass der Benutzer einen elektrischen Schlag erleiden kann.
 - Verwenden Sie beim Längssägen stets einen Parallelanschlag oder ein Richtlineal.** Dadurch wird die Schnittgenauigkeit verbessert und die Gefahr von Sägeblatt-Klemmen reduziert.
 - Verwenden Sie stets Sägeblätter, deren Spindelbohrung die korrekte Größe und Form (rautenförmig oder rund) hat.** Sägeblätter, die nicht genau auf den Montageflansch der Säge passen, rotieren exzentrisch und verursachen den Verlust der Kontrolle.

- Verwenden Sie niemals beschädigte oder falsche Sägeblattscheiben oder -schrauben.** Die Sägeblattscheiben und -schrauben sind speziell für Ihre Säge vorgesehen, um optimale Leistung und Betriebssicherheit zu gewährleisten.

Rückschlagsursachen und damit zusammenhängende Warnungen

- Ein Rückschlag ist eine plötzliche Reaktion auf ein eingeklemmtes, blockiertes oder falsch ausgerichtetes Sägeblatt, der ein unkontrolliertes Anheben und Herausspringen der Säge aus dem Werkstück in Richtung der Bedienungsperson verursacht.
- Wenn das Sägeblatt durch den sich schließenden Sägeschlitz eingeklemmt oder blockiert wird, bleibt das Sägeblatt stehen, und die Motorreaktion drückt die Säge plötzlich in Richtung der Bedienungsperson zurück.
- Falls das Sägeblatt im Schnitt verdreht oder versetzt wird, können sich die Zähne an der Hinterkante des Sägeblatts in die Oberfläche des Holzstücks bohren, so dass sich das Sägeblatt aus dem Sägeschlitz heraushebt und in Richtung der Bedienungsperson zurückspringt.

Rückschlag ist das Resultat falscher Handhabung der Säge und/oder falscher Arbeitsverfahren oder -bedingungen und kann durch Anwendung der nachstehenden Vorsichtsmaßnahmen vermieden werden.

- Halten Sie die Säge mit beiden Händen fest, und positionieren Sie Ihre Arme so, dass sie die Rückschlagkräfte auffangen. Stellen Sie sich so, dass sich Ihr Körper seitlich vom Sägeblatt befindet, nicht auf gleicher Linie mit dem Sägeblatt.** Rückschlag kann Zurückspringen der Säge verursachen; doch wenn geeignete Vorkehrungen getroffen werden, können die Rückschlagkräfte von der Bedienungsperson unter Kontrolle gehalten werden.
- Falls das Sägeblatt klemmt oder der Schnitt aus irgendeinem Grund unterbrochen wird, lassen Sie den Ein-Aus-Schalter los, und halten Sie die Säge bewegungslos im Werkstück, bis das Sägeblatt zum völligen Stillstand kommt. Versuchen Sie niemals, die Säge bei noch rotierendem Sägeblatt vom Werkstück abzunehmen oder zurückzuziehen, weil es sonst zu einem Rückschlag kommen kann.** Nehmen Sie eine Überprüfung vor, und treffen Sie Abhilfemaßnahmen, um die Ursache von Sägeblatt-Klemmen zu beseitigen.
- Wenn Sie die Säge bei im Werkstück befindlichem Sägeblatt wieder einschalten, zentrieren Sie das Sägeblatt im Sägeschlitz, und vergewissern Sie sich, dass die Sägezähne nicht mit dem Werkstück im Eingriff sind.** Falls ein Sägeblatt klemmt, kann es beim Wiedereinschalten der Säge aus dem Werkstück herauschnellen oder zurückspringen.
- Stützen Sie große Platten ab, um die Gefahr von Klemmen und Rückschlagen des Sägeblatts auf ein Minimum zu reduzieren.** Große Platten neigen dazu, unter ihrem Eigengewicht durchzuhängen. Die Stützen müssen beidseitig der Schnittlinie und in der Nähe der Plattenkante unter der Platte platziert werden.

► **Abb.2**

► **Abb.3**

5. **Verwenden Sie keine stumpfen oder beschädigten Sägeblätter.** Unschärfe oder falsch angebrachte Sägeblätter erzeugen einen schmalen Sägeschlitz, der übermäßige Reibung, Sägeblatt-Klemmen und Rückschlag verursacht.
6. **Die Sägeblatttiefe- und Neigungseinstellungs-Arretierhebel müssen fest angezogen und gesichert sein, bevor der Schnitt ausgeführt wird.** Falls sich die Sägeblatteinstellung während des Sägens verstellt, kann es zu Klemmen und Rückschlag kommen.
7. **Lassen Sie beim Sägen in vorhandene Wände oder andere tote Winkel besondere Vorsicht walten.** Das vorstehende Sägeblatt kann Objekte durchschneiden, die Rückschlag verursachen können.
8. **Halten Sie das Werkzeug IMMER mit beiden Händen fest. Halten Sie NIEMALS Ihre Hand, Ihr Bein oder irgendeinen Körperteil unter die Werkzeugbasis oder hinter die Säge, insbesondere bei der Ausführung von Querschnitten.** Falls Rückschlag auftritt, besteht die Gefahr, dass die Säge über Ihre Hand zurückspringt und schwere Personenschäden verursacht.

► **Abb.4**

9. **Wenden Sie keine Gewalt auf die Säge an. Schieben Sie die Säge mit einer Geschwindigkeit vor, dass das Sägeblatt nicht abgebremst wird.** Gewaltanwendung kann ungleichmäßige Schnitte, Verlust der Genauigkeit und möglichen Rückschlag verursachen.

Funktion der Schutzhaube

1. **Überprüfen Sie die Schutzhaube vor jeder Benutzung auf einwandfreies Schließen.** Betreiben Sie die Säge nicht, falls sich die Schutzhaube nicht ungehindert bewegt und das Sägeblatt nicht sofort umschließt. Die Schutzhaube darf auf keinen Fall in geöffneter Stellung festgeklemmt oder festgebunden werden. Wird die Säge versehentlich fallen gelassen, kann die Schutzhaube verbogen werden. Vergewissern Sie sich, dass sich die Schutzhaube ungehindert bewegt und bei allen Winkel- und Schnitttiefe-Einstellungen nicht mit dem Sägeblatt oder irgendeinem anderen Teil in Berührung kommt.
2. **Überprüfen Sie die Funktion und den Zustand der Schutzhauben-Rückhofeder.** Falls Schutzhaube und Feder nicht einwandfrei funktionieren, müssen die Teile vor der Benutzung gewartet werden. Falls beschädigte Teile, klebrige Ablagerungen oder Schmutzansammlung vorhanden sind, kann die Schutzhaube schwergängig werden.
3. **Stellen Sie sicher, dass sich die Grundplatte der Säge während der Durchführung eines „Tauschnitts“ nicht verschiebt.** Seitliches Verschieben des Sägeblatts verursacht Klemmen und möglicherweise Rückschlag.
4. **Vergewissern Sie sich stets, dass die Schutzhaube das Sägeblatt verdeckt, bevor Sie die Säge auf der Werkbank oder dem Boden ablegen.** Ein ungeschützt auslaufendes Sägeblatt bewirkt Rückwärtskriechen der Säge und schneidet alles, was sich in seinem Weg befindet. Berücksichtigen Sie die Auslaufzeit des Sägeblatts bis zum Stillstand nach dem Loslassen des Schalters.

Zusätzliche Sicherheitswarnungen

1. **Lassen Sie beim Schneiden von feuchtem Holz, druckbehandeltem Bauholz oder Astholz besondere Vorsicht walten.** Behalten Sie einen gleichmäßigen Vorschub des Werkzeugs bei, ohne dass sich die Sägeblatt Drehzahl verringert, um Überhitzen der Sägeblattzähne und, beim Schneiden von Kunststoff, Schmelzen des Kunststoffs zu vermeiden.
2. **Versuchen Sie nicht, abgeschnittenes Material bei rotierendem Sägeblatt zu entfernen. Warten Sie, bis das Sägeblatt zum Stillstand kommt, bevor Sie abgeschnittenes Material wegnehmen.** Das Sägeblatt läuft nach dem Ausschalten noch nach.
3. **Vermeiden Sie das Schneiden von Nägeln. Überprüfen Sie Bauholz vor dem Schneiden auf Nägel, und entfernen Sie etwaige Nägel.**
4. **Setzen Sie den breiteren Teil der Grundplatte auf den fest abgestützten Teil des Werkstücks, nicht auf den Teil, der nach dem Schnitt herunterfällt. Kurze oder kleine Werkstücke müssen eingespannt werden. VERSUCHEN SIE NICHT, KURZE WERKSTÜCKE MIT DER HAND ZU HALTEN!**

► **Abb.5**

5. **Bevor Sie das Werkzeug nach Ausführung eines Schnitts absetzen, vergewissern Sie sich, dass sich die Schutzhaube geschlossen hat und das Sägeblatt zu vollständigem Stillstand gekommen ist.**
6. **Versuchen Sie niemals, die Kreissäge zum Sägen verkehrt herum in einen Schraubstock einzuspannen. Dies ist sehr gefährlich und kann zu schweren Unfällen führen.**

► **Abb.6**

7. **Manche Materialien können giftige Chemikalien enthalten. Treffen Sie Vorsichtsmaßnahmen, um das Einatmen von Arbeitsstaub und Hautkontakt zu verhindern. Befolgen Sie die Sicherheitsdaten des Materiallieferanten.**
8. **Bremsen Sie die Säge nicht durch seitlichen Druck auf das Sägeblatt ab.**
9. **Verwenden Sie keine Schleifscheiben.**
10. **Verwenden Sie nur Sägeblätter mit einem Durchmesser, der am Werkzeug markiert oder im Handbuch angegeben ist.** Die Verwendung eines Sägeblatts mit falscher Größe kann den einwandfreien Schutz des Sägeblatts oder den Schutzbetrieb beeinträchtigen, was ernsthaften Personenschaden zur Folge haben kann.
11. **Halten Sie das Sägeblatt scharf und sauber.** An den Sägeblättern haftendes und verhärtetes Gummi und Harz verlangsamen die Säge und erhöhen die Rückschlaggefahr. Halten Sie das Sägeblatt sauber, indem Sie es vom Werkzeug abmontieren und dann mit Gummi- und Harzentrerner, heißem Wasser oder Petroleum reinigen. Verwenden Sie niemals Benzin.
12. **Tragen Sie bei der Benutzung des Werkzeugs eine Staubmaske und einen Gehörschutz.**
13. **Verwenden Sie immer das zum Schneiden des jeweiligen Arbeitsmaterials vorgesehene Sägeblatt.**
14. **Verwenden Sie nur Sägeblätter, die mit einer Drehzahl markiert sind, die der am Werkzeug angegebenen Drehzahl entspricht oder diese übertrifft.**

15. (Nur für europäische Länder)
Verwenden Sie immer ein Sägeblatt, das EN847-1 entspricht.

DIESE ANWEISUNGEN AUFBEWAHREN.

⚠️ WARNUNG: Lassen Sie sich NICHT durch Bequemlichkeit oder Vertrautheit mit dem Produkt (durch wiederholten Gebrauch erworben) von der strikten Einhaltung der Sicherheitsregeln für das vorliegende Produkt abhalten. MISSBRAUCH oder Missachtung der Sicherheitsvorschriften in dieser Anleitung können schwere Personenschäden verursachen.

Wichtige Sicherheitsanweisungen für Akku

1. Lesen Sie vor der Benutzung des Akkus alle Anweisungen und Warnhinweise, die an (1) Ladegerät, (2) Akku und (3) Akkuwerkzeug angebracht sind.
2. Unterlassen Sie ein Zerlegen des Akkus.
3. Falls die Betriebszeit beträchtlich kürzer geworden ist, stellen Sie den Betrieb sofort ein. Anderenfalls besteht die Gefahr von Überhitzung, möglichen Verbrennungen und sogar einer Explosion.
4. Falls Elektrolyt in Ihre Augen gelangt, waschen Sie sie mit sauberem Wasser aus, und begeben Sie sich unverzüglich in ärztliche Behandlung. Anderenfalls können Sie Ihre Sehkraft verlieren.
5. Der Akku darf nicht kurzgeschlossen werden:
 - (1) Die Kontakte dürfen nicht mit leitfähigem Material berührt werden.
 - (2) Lagern Sie den Akku nicht in einem Behälter zusammen mit anderen Metallgegenständen, wie z. B. Nägel, Münzen usw.
 - (3) Setzen Sie den Akku weder Wasser noch Regen aus.

Ein Kurzschluss des Akkus verursacht starken Stromfluss, der Überhitzung, mögliche Verbrennungen und einen Defekt zur Folge haben kann.

6. Lagern Sie das Werkzeug und den Akku nicht an Orten, an denen die Temperatur 50 °C erreichen oder überschreiten kann.
7. Versuchen Sie niemals, den Akku zu verbrennen, selbst wenn er stark beschädigt oder vollkommen verbraucht ist. Der Akku kann im Feuer explodieren.
8. Achten Sie darauf, dass der Akku nicht fallen gelassen oder Stößen ausgesetzt wird.
9. Benutzen Sie keine beschädigten Akkus.
10. Die enthaltenen Lithium-Ionen-Akkus unterliegen den Anforderungen der Gefahrgut-Gesetzgebung.

Für kommerzielle Transporte, z. B. durch Dritte oder Spediteure, müssen besondere Anforderungen zu Verpackung und Etikettierung beachtet werden. Zur Vorbereitung des zu transportierenden Artikels ist eine Beratung durch einen Experten für Gefahrgut erforderlich. Bitte beachten Sie möglicherweise ausführlichere nationale Vorschriften. Überkleben oder verdecken Sie offene Kontakte, und verpacken Sie den Akku so, dass er sich in der Verpackung nicht umher bewegen kann.

11. Befolgen Sie die örtlichen Bestimmungen bezüglich der Entsorgung von Akkus.
12. Verwenden Sie die Akkus nur mit den von Makita angegebenen Produkten. Das Einsetzen der Akkus in nicht konforme Produkte kann zu einem Brand, übermäßiger Hitzebildung, einer Explosion oder Auslaufen von Elektrolyt führen.

DIESE ANWEISUNGEN AUFBEWAHREN.

⚠️ VORSICHT: Verwenden Sie nur Original-Makita-Akkus. Die Verwendung von Nicht-Original-Makita-Akkus oder von Akkus, die abgeändert worden sind, kann zum Bersten des Akkus und daraus resultierenden Bränden, Personenschäden und Beschädigung führen. Außerdem wird dadurch die Makita-Garantie für das Makita-Werkzeug und -Ladegerät ungültig.

Hinweise zur Aufrechterhaltung der maximalen Akku-Nutzungsdauer

1. Laden Sie den Akku, bevor er vollkommen erschöpft ist. Schalten Sie das Werkzeug stets aus, und laden Sie den Akku, wenn Sie ein Nachlassen der Werkzeugleistung feststellen.
2. Unterlassen Sie erneutes Laden eines voll aufgeladenen Akkus. Überladen führt zu einer Verkürzung der Nutzungsdauer des Akkus.
3. Laden Sie den Akku bei Raumtemperatur zwischen 10 – 40 °C. Lassen Sie einen heißen Akku abkühlen, bevor Sie ihn laden.
4. Der Akku muss geladen werden, wenn er lange Zeit (länger als sechs Monate) nicht benutzt wird.

Wichtige Sicherheitsanweisungen für Funk-Adapter

1. Unterlassen Sie Zerlegen oder Manipulieren des Funk-Adapters.
2. Halten Sie den Funk-Adapter von kleinen Kindern fern. Suchen Sie bei versehentlichem Verschlucken sofort ärztliche Behandlung auf.
3. Benutzen Sie den Funk-Adapter nur mit Makita-Werkzeugen.
4. Setzen Sie den Funk-Adapter keinem Regen oder Nässe aus.
5. Benutzen Sie den Funk-Adapter nicht an Orten, wo die Temperatur 50°C überschreitet.
6. Betreiben Sie den Funk-Adapter nicht an Orten, in deren Nähe sich medizinische Geräte, wie z. B. Herzschrittmacher, befinden.
7. Betreiben Sie den Funk-Adapter nicht an Orten, in deren Nähe sich automatisierte Geräte befinden. Bei Betrieb kann in den automatisierten Geräten eine Funktionsstörung oder ein Fehler entstehen.
8. Der Funk-Adapter kann elektromagnetische Felder (EMF) erzeugen, die aber für den Benutzer nicht gesundheitsschädlich sind.
9. Der Funk-Adapter ist ein Präzisionsinstrument. Achten Sie darauf, dass der Funk-Adapter nicht fallen gelassen oder Stößen ausgesetzt wird.

10. Vermeiden Sie Berühren der Kontakte des Funk-Adapters mit bloßen Händen oder Metallgegenständen.
11. Entnehmen Sie stets den Akku vom Werkzeug, bevor Sie den Funk-Adapter installieren.
12. Öffnen Sie den Deckel des Steckplatzes nicht an Orten, wo Staub und Wasser in den Steckplatz eindringen können. Halten Sie den Einlass des Steckplatzes stets sauber.
13. Führen Sie den Funk-Adapter stets in der korrekten Richtung ein.
14. Drücken Sie nicht zu fest und/oder mit einem scharfkantigen Gegenstand auf die Funk-Aktivierungstaste des Funk-Adapters.
15. Halten Sie den Deckel des Steckplatzes beim Betrieb immer geschlossen.
16. Entfernen Sie den Funk-Adapter nicht aus dem Steckplatz, während das Werkzeug mit Strom versorgt wird. Anderenfalls kann eine Funktionsstörung des Funk-Adapters verursacht werden.
17. Entfernen Sie nicht den Aufkleber vom Funk-Adapter.
18. Kleben Sie keinen anderen Aufkleber auf den Funk-Adapter.
19. Lassen Sie den Funk-Adapter nicht an einem Ort liegen, wo statische Elektrizität oder elektrisches Rauschen erzeugt werden könnte.
20. Lassen Sie den Funk-Adapter nicht an einem Ort liegen, der starker Hitze ausgesetzt ist, wie z. B. in einem in praller Sonne geparkten Auto.
21. Lassen Sie den Funk-Adapter nicht an einem Ort liegen, der Staub oder Puder aufweist, oder an dem ein korrosives Gas erzeugt werden könnte.
22. Plötzliche Temperaturschwankungen können den Funk-Adapter betauen. Benutzen Sie den Funk-Adapter nicht eher, bis der Tau vollständig getrocknet ist.
23. Wischen Sie den Funk-Adapter zum Reinigen sanft mit einem trockenen, weichen Tuch ab. Verwenden Sie kein Waschbenzin, kein leitfähiges Fett, keinen Verdüner oder dergleichen.
24. Bewahren Sie den Funk-Adapter zur Lagerung in der mitgelieferten Schachtel oder einem statikfreien Behälter auf.
25. Führen Sie keine anderen Geräte außer dem Makita-Funk-Adapter in den Steckplatz des Werkzeugs ein.
26. Benutzen Sie das Werkzeug nicht, wenn der Deckel des Steckplatzes beschädigt ist. Wasser, Staub und Schmutz, die in den Steckplatz eindringen, können eine Funktionsstörung verursachen.
27. Ziehen und/oder verdrehen Sie den Deckel des Steckplatzes nicht mehr als nötig. Bringen Sie den Deckel wieder an, falls er sich vom Werkzeug löst.
28. Ersetzen Sie den Deckel des Steckplatzes, falls er verloren geht oder beschädigt wird.

DIESE ANWEISUNGEN AUFBEWAHREN.

FUNKTIONSBESCHREIBUNG

⚠VORSICHT: Vergewissern Sie sich vor der Durchführung von Einstellungen oder Funktionsprüfungen des Werkzeugs stets, dass das Werkzeug ausgeschaltet und der Akku abgenommen ist.

Anbringen und Abnehmen des Akkus

⚠VORSICHT: Schalten Sie das Werkzeug stets aus, bevor Sie den Akku anbringen oder abnehmen.

⚠VORSICHT: Halten Sie das Werkzeug und den Akku beim Anbringen oder Abnehmen des Akkus sicher fest. Wenn Sie das Werkzeug und den Akku nicht sicher festhalten, können sie Ihnen aus der Hand rutschen, was zu einer Beschädigung des Werkzeugs und des Akkus und zu Körperverletzungen führen kann.

► **Abb.7:** 1. Rote Anzeige 2. Knopf 3. Akku

Ziehen Sie den Akku zum Abnehmen vom Werkzeug ab, während Sie den Knopf an der Vorderseite des Akkus verschieben.

Richten Sie zum Anbringen des Akkus dessen Führungsfeder auf die Nut im Gehäuse aus, und schieben Sie den Akku hinein. Schieben Sie ihn vollständig ein, bis er mit einem hörbaren Klicken einrastet. Falls die rote Anzeige an der Oberseite des Knopfes sichtbar ist, ist der Akku nicht vollständig verriegelt.

⚠VORSICHT: Schieben Sie den Akku stets bis zum Anschlag ein, bis die rote Anzeige nicht mehr sichtbar ist. Anderenfalls kann er aus dem Werkzeug herausfallen und Sie oder umstehende Personen verletzen.

⚠VORSICHT: Unterlassen Sie Gewaltanwendung beim Anbringen des Akkus. Falls der Akku nicht reibungslos hineingleitet, ist er nicht richtig ausgerichtet.

HINWEIS: Das Werkzeug funktioniert nicht mit nur einem Akku.

Werkzeug/Akku-Schutzsystem

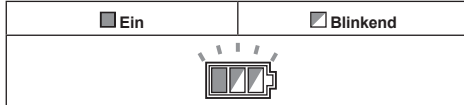
Das Werkzeug ist mit einem Werkzeug/Akku-Schutzsystem ausgestattet. Dieses System schaltet die Stromversorgung des Motors automatisch ab, um die Lebensdauer von Werkzeug und Akku zu verlängern. Das Werkzeug bleibt während des Betriebs automatisch stehen, wenn das Werkzeug oder der Akku einer der folgenden Bedingungen unterliegt. Bei manchen Bedingungen leuchten die Anzeigen auf.

Überlastschutz

Wird das Werkzeug auf eine Weise benutzt, die eine ungewöhnlich hohe Stromaufnahme bewirkt, bleibt das Werkzeug automatisch stehen. Schalten Sie in dieser Situation das Werkzeug aus, und brechen Sie die Arbeit ab, die eine Überlastung des Werkzeugs verursacht hat. Schalten Sie dann das Werkzeug wieder ein, um es neu zu starten.

Überhitzungsschutz

Wenn das Werkzeug überhitzt wird, bleibt es automatisch stehen, und die Akku-Anzeige blinkt etwa 60 Sekunden lang. Lassen Sie das Werkzeug in dieser Situation abkühlen, bevor Sie es wieder einschalten.



Überentladungsschutz

Wenn die Akkukapazität niedrig wird, schaltet sich das Werkzeug automatisch aus. Falls das Produkt trotz Betätigung der Schalter nicht funktioniert, entfernen Sie die Akkus vom Werkzeug, und laden Sie sie auf.

Anzeigen der Akku-Restkapazität

- **Abb.8:** 1. Akku-Anzeige (für oberen Akku)
2. Prüftaste 3. Akku-Anzeige (für unteren Akku)

Drücken Sie die Prüftaste, um die Akku-Restkapazität anzuzeigen. Jedem Akku sind eigene Akku-Anzeigen zugeordnet.

Status der Akku-Anzeige			Akku-Restkapazität
Ein	Aus	Blinkend	
			50% bis 100%
			20% bis 50%
			0% bis 20%
			Akku aufladen

Anzeigen der Akku-Restkapazität

Nur für Akkus mit Anzeige

- **Abb.9:** 1. Anzeigelampen 2. Prüftaste

Drücken Sie die Prüftaste am Akku, um die Akku-Restkapazität anzuzeigen. Die Anzeigelampen leuchten wenige Sekunden lang auf.

Anzeigelampen			Restkapazität
Erleuchtet	Aus	Blinkend	
			75 % bis 100 %
			50% bis 75%
			25% bis 50%
			0% bis 25%
			Den Akku aufladen.
			Möglicherweise liegt eine Funktionsstörung im Akku vor.

HINWEIS: Abhängig von den Benutzungsbedingungen und der Umgebungstemperatur kann die Anzeige geringfügig von der tatsächlichen Kapazität abweichen.

Automatische Drehzahlwechselfunktion

HINWEIS: Die automatische Drehzahlwechselfunktion ist nur in der Stellung 5 des Drehzahl-Stellrads verfügbar.

Dieses Werkzeug verfügt über einen „Hochdrehzahl-Modus“ und einen „Hochdrehmoment-Modus“. Das Werkzeug wechselt die Betriebsart automatisch abhängig von der Arbeitslast. Bei geringer Arbeitslast läuft das Werkzeug im „Hochdrehzahl-Modus“ für schnelleren Schneidbetrieb. Bei hoher Arbeitslast läuft das Werkzeug im „Hochdrehmoment-Modus“ für leistungsstarken Schneidbetrieb.

- **Abb.10:** 1. Betriebsart-Anzeige

Die Betriebsart-Anzeige leuchtet in Grün auf, wenn das Werkzeug im „Hochdrehmoment-Modus“ läuft. Wird das Werkzeug mit übermäßiger Last betrieben, blinkt die Betriebsart-Anzeige in Grün. Die Betriebsart-Anzeige hört auf zu blinken, und dann leuchtet sie auf oder erlischt, wenn Sie die auf das Werkzeug ausgeübte Last verringern.

Betriebsart-Anzeigestatus			Betriebsart
Ein	Aus	Blinkend	
			Hochdrehzahl-Modus
			Hochdrehmoment-Modus
			Überlastwarnung

Einstellen der Schnitttiefe

⚠ VORSICHT: Ziehen Sie die Klemmschraube nach der Einstellung der Schnitttiefe stets fest an.

Lösen Sie die Klemmschraube an der Tiefenführung, und bewegen Sie den Sägeblatt-Untergrenzenanschlag zur gewünschten Tiefe auf der Skalenplatte. Ziehen Sie die Klemmschraube an der gewünschten Schnitttiefe fest an.

Um sauberere, sicherere Schnitte auszuführen, stellen Sie die Schnitttiefe so ein, dass nicht mehr als ein Sägeblattzahn unter das Werkstück übersteht. Die Einstellung der korrekten Schnitttiefe trägt zu einer Reduzierung gefährlicher RÜCKSCHLÄGE bei, die Personenschäden verursachen können.

- **Abb.11:** 1. Sägeblatt-Untergrenzenanschlag
2. Klemmschraube

Schnellanschlagknopf für Schnitttiefen von 2 bis 3 mm bei Verwendung der Führungsschiene (Sonderzubehör)

Dieses Werkzeug besitzt einen Schnellanschlagknopf für Schnitttiefen von 2 bis 3 mm am Antriebsgehäuse neben dem hinteren Handgriff bei Verwendung einer Führungsschiene. Dieser wird verwendet, um Splitter am Werkstück im Schnitt zu vermeiden. Führen Sie einen ersten Durchgang mit einem Schnitt von 2 bis 3 mm Tiefe, und dann einen zweiten Durchgang mit einem gewöhnlichen Schnitt durch.

- **Abb.12:** 1. Schnellanschlagknopf

Um eine Schnitttiefe von 2 bis 3 mm zu erhalten, drücken Sie den Schnellanschlagknopf in Richtung des Sägeblatts hinein. Dies ist praktisch, um Splitter am Werkstück zu vermeiden.

Um die Schnitttiefe von dieser Position für eine freie Schnitttiefe aufzuheben, ziehen Sie einfach den Knopf zurück.

Neigungsschnitt

Lösen Sie die Klemmschrauben. Stellen Sie den gewünschten Winkel durch entsprechendes Neigen ein, und ziehen Sie dann die Klemmschrauben sicher fest.

- **Abb.13:** 1. Klemmschraube
2. Neigungswinkelskalenplatte
- **Abb.14:** 1. Zusatzgrundplatte (Sonderzubehör)
2. Klemmschraube

Zwangsanschlag

Der Zwangsanschlag ist praktisch, um den festgelegten Winkel schnell einzustellen. Drehen Sie den Zwangsanschlag so, dass der aufgedruckte Pfeil auf 22,5° zeigt. Lösen Sie die Klemmschrauben auf der Vorder- und Rückseite. Neigen Sie dann das Sägeblatt bis zum Anschlag, und sichern Sie die Grundplatte mit den Klemmschrauben.

- **Abb.15:** 1. Zwangsanschlag 2. Klemmschraube

48°-Neigungsschnitt

Um 48°-Neigungsschnitte durchzuführen, lösen Sie die Klemmschrauben, und neigen Sie den Hebel vollständig in Richtung des Pfeils in der Abbildung. Stellen Sie dann den Neigungswinkel auf 48° ein, und ziehen Sie die Klemmschrauben fest.

- **Abb.16:** 1. Hebel

-1°-Neigungsschnitt

Um -1°-Neigungsschnitte durchzuführen, lösen Sie die Klemmschrauben, und drücken Sie die Hebel in Richtung des Pfeils in der Abbildung. Stellen Sie dann den Neigungswinkel auf -1° ein, und ziehen Sie die Klemmschrauben fest.

- **Abb.17:** 1. Hebel

Schnittmarkierung

- **Abb.18:** 1. Grundplatte

Die Schnittlinie hängt vom Schnittwinkel und der Verwendung der Führungsschiene (Sonderzubehör) ab.

Bei Verwendung des Werkzeugs ohne Führungsschiene

Richten Sie für Geradschnitte die Position A auf der Vorderseite der Grundplatte auf die Schnittlinie aus. Richten Sie für 45°-Neigungsschnitte die Position B auf die Linie aus.

Bei Verwendung des Werkzeugs mit Führungsschiene

Richten Sie für Geradschnitte und 45°-Neigungsschnitte die Position A auf der Vorderseite der Grundplatte immer auf die Schnittlinie aus.

Schalterfunktion

⚠ WARNUNG: Vergewissern Sie sich vor dem Einsetzen des Akkus in das Werkzeug stets, dass der Ein-Aus-Schalter ordnungsgemäß funktioniert und beim Loslassen in die AUS-Stellung zurückkehrt.

⚠ WARNUNG: Versuchen Sie NIEMALS, den Einschaltsperrknopf mit Klebeband oder anderen Mitteln unwirksam zu machen. Ein Schalter mit unwirksamem Einschaltsperrknopf kann zu ungewolltem Betrieb und daraus resultierenden schweren Personenschäden führen.

⚠ WARNUNG: Betreiben Sie das Werkzeug NIEMALS, wenn es durch einfache Betätigung des Ein-Aus-Schalters eingeschaltet werden kann, ohne den Einschaltsperrknopf zu drücken. Ein reparaturbedürftiger Schalter kann zu ungewolltem Betrieb und daraus resultierenden schweren Personenschäden führen. Lassen Sie das Werkzeug von einer Makita-Kundendienststelle ordnungsgemäß reparieren, BEVOR Sie es weiter benutzen.

Um versehentliche Betätigung des Ein-Aus-Schalters zu verhüten, ist das Werkzeug mit einem Einschaltsperrknopf ausgestattet. Zum Starten des Werkzeugs den Ein-Aus-Schalter bei gedrücktem Einschaltsperrknopf betätigen. Zum Ausschalten den Ein-Aus-Schalter loslassen.

- **Abb.19:** 1. Auslöseschalter 2. Einschaltsperrknopf

ANMERKUNG: Betätigen Sie den Ein-Aus-Schalter nicht gewaltsam, ohne den Einschaltsperrknopf hineinzudrücken. Dies kann zu Beschädigung des Schalters führen.

Drehzahl-Stellrad

Die Werkzeugdrehzahl kann durch Drehen des Stellrads eingestellt werden. Die Sägeblatt-Drehzahl nimmt zu, wenn Sie das Drehzahl-Stellrad auf eine höhere Nummer einstellen.

► **Abb.20:** 1. Drehzahl-Stellrad

Wählen Sie eine für das zu schneidende Werkstück geeignete Drehzahl anhand der Tabelle aus. Die korrekte Drehzahl kann jedoch je nach der Art oder Dicke des Werkstücks unterschiedlich sein. Im Allgemeinen erlauben höhere Drehzahlen schnelleres Schneiden von Werkstücken, aber die Lebensdauer des Sägeblatts wird verringert.

Nummer	Sägeblatt-Drehzahl pro Minute (min ⁻¹)
1	2.500 min ⁻¹
2	2.900 min ⁻¹
3	3.900 min ⁻¹
4	4.900 min ⁻¹
5	6.300 min ⁻¹

VORSICHT: Das Drehzahl-Stellrad ist nicht für die Verwendung von Sägeblättern mit niedriger Nenndrehzahl vorgesehen. Es hat vielmehr die Aufgabe, eine für das Werkstückmaterial geeignete Drehzahl zu erhalten. Verwenden Sie nur Sägeblätter, die mindestens für die in den TECHNISCHEN DATEN angegebene maximale Leerlaufdrehzahl bemessen sind.

ANMERKUNG: Das Drehzahl-Stellrad lässt sich nur bis 5 und zurück auf 1 drehen. Wird es gewaltsam über 5 oder 1 hinaus gedreht, kann die Drehzahleinstellfunktion unbrauchbar werden.

Elektronikfunktion

Die mit Elektronikfunktionen ausgestatteten Werkzeuge weisen die folgenden Merkmale zur Bedienungsvereinfachung auf.

Überlastschalter

Wenn das Werkzeug überlastet wird und die Stromstärke ein bestimmtes Niveau überschreitet, bleibt das Werkzeug automatisch stehen, um den Motor zu schützen.

Konstantdrehzahlregelung

Elektronische Drehzahlregelung zur Aufrechterhaltung einer konstanten Drehzahl. Feine Oberflächengüte wird ermöglicht, weil die Drehzahl selbst unter Belastung konstant gehalten wird.

Sanftanlauf-Funktion

Diese Funktion gewährleistet ruckfreies Anlaufen durch Anlaufstoßunterdrückung.

MONTAGE

VORSICHT: Vergewissern Sie sich vor der Ausführung von Arbeiten am Werkzeug stets, dass das Werkzeug ausgeschaltet und der Akku abgenommen ist.

Aufbewahrung des Inbusschlüssels

Der Inbusschlüssel kann an der in der Abbildung gezeigten Stelle aufbewahrt werden, damit er nicht verloren geht.

► **Abb.21:** 1. Inbusschlüssel

Demontieren oder Montieren des Kreissägeblatts

VORSICHT: Vergewissern Sie sich, dass das Kreissägeblatt so montiert ist, dass die Zähne auf der Vorderseite des Werkzeugs nach oben zeigen.

VORSICHT: Verwenden Sie nur den Makita-Schraubenschlüssel zum Montieren und Demontieren von Kreissägeblättern.

Zum Abnehmen des Kreissägeblatts:

1. Drücken Sie den Einschaltsperrknopf nieder, und senken Sie den Handgriff ein wenig ab. Drehen Sie den Feststellhebel, und senken Sie den Handgriff ab, bis der Arretierstift in der Öffnung sitzt.

► **Abb.22:** 1. Einschaltsperrknopf 2. Feststellhebel 3. Arretierstift 4. Öffnung für Arretierstift

2. Drücken Sie die Spindelarretierung vollständig hinein, um das Sägeblatt zu blockieren, und lösen Sie die Innensechskantschraube mit dem Inbusschlüssel.

► **Abb.23:** 1. Spindelarretierung 2. Inbusschlüssel 3. Anziehen 4. Lösen

3. Entfernen Sie Innensechskantschraube, Außenflansch und Kreissägeblatt.

► **Abb.24:** 1. Innensechskantschraube 2. Außenflansch 3. Innenflansch 4. Kreissägeblatt

WARNUNG: Falls der Innenflansch entfernt wird, muss er auf die Spindel montiert werden. Wählen Sie zur Montage die korrekte Seite, deren Vorsprung genau in die Sägeblattbohrung passt. Die Montage des Sägeblatts auf der falschen Seite kann zu gefährlichen Vibrationen führen.

Zum Montieren des Kreissägeblatts wenden Sie das Demontageverfahren umgekehrt an. Drücken Sie den Einschaltsperrknopf nieder, um den Arretierstift aus der Öffnung freizugeben.

WARNUNG: DIE INNENSECHSKANTSCHRAUBE SICHER FESTZIEHEN. Achten Sie auch darauf, die Schraube nicht gewaltsam anzuziehen. Abrutschen Ihrer Hand vom Inbusschlüssel kann einen Personenschaden verursachen.

Reinigung der Sägeblattschutzhaube

Wenn Sie das Kreissägeblatt austauschen, reinigen Sie auch unbedingt die Sägeblattschutzhaube von angesammeltem Sägemehl, wie im Abschnitt „Wartung“ beschrieben. Solche Arbeiten erübrigen jedoch nicht die Notwendigkeit, die Funktion der Schutzhaube vor jedem Gebrauch zu überprüfen.

Anschließen eines Sauggeräts

Sonderzubehör

Um saubere Schneidarbeiten durchzuführen, schließen Sie ein Makita-Sauggerät an Ihr Werkzeug an. Schließen Sie den Schlauch des Sauggeräts unter Verwendung der Frontmanschetten 24 an den Absaugstutzen an.

- **Abb.25:** 1. Schlauch des Sauggeräts
2. Frontmanschette 24 3. Absaugstutzen

BETRIEB

⚠ VORSICHT: Schieben Sie das Werkzeug unbedingt in einer geraden Linie **sachte vor**. Zu starkes Drücken oder Verdrehen des Werkzeugs führt zu Überhitzen des Motors und gefährlichem Rückschlag, der möglicherweise schwere Verletzungen verursachen kann.

⚠ VORSICHT: Bringen Sie bei **Ausschneidarbeiten niemals einen Körperteil unter die Grundplatte, besonders beim Starten. Anderenfalls kann es zu schweren Personenschäden kommen.** Das Sägeblatt ragt frei unter die Grundplatte.

HINWEIS: Bei kaltem Akku entfaltet das Werkzeug eventuell nicht seine volle Kapazität. Benutzen Sie das Werkzeug während dieser Phase eine Zeitlang nur für leichte Schnitte, bis sich der Akku auf Raumtemperatur erwärmt hat. Dann kann das Werkzeug seine volle Kapazität entfalten.

Ausschneiden (gewöhnliches Sägen)

► Abb.26

Halten Sie das Werkzeug mit festem Griff. Das Werkzeug ist mit einem Frontgriff und einem hinteren Handgriff ausgestattet. Benutzen Sie beide Handgriffe, um das Werkzeug optimal zu halten. Wenn beide Hände die Säge halten, können Sie nicht durch das Kreissägeblatt verletzt werden. Setzen Sie die Grundplatte auf das zu schneidende Werkstück auf, ohne dass das Kreissägeblatt mit dem Werkstück in Berührung kommt. Drücken Sie dann den Einschaltsperrknopf hinein, und betätigen Sie den Auslöseschalter. Warten Sie, bis das Kreissägeblatt die volle Drehzahl erreicht hat. Drücken Sie nun den Sägekopf langsam auf die voreingestellte Schnitttiefe nieder, und schieben Sie das Werkzeug einfach über die Werkstückoberfläche vor, wobei Sie es flach halten und gleichmäßig vorrücken, bis der Schnitt ausgeführt ist.

Um saubere Schnitte zu erzielen, halten Sie eine gerade Schnittlinie und eine gleichmäßige Vorschubgeschwindigkeit ein. Falls der Schnitt sich nicht genau mit Ihrer beabsichtigten Schnittlinie deckt, versuchen Sie nicht, das Werkzeug zu drehen oder zur Schnittlinie zurückzudrücken. Dies könnte zu Klemmen des Kreissägeblatts und gefährlichem Rückschlag führen, was schwere Verletzungen verursachen kann. Lassen Sie den Schalter los, und warten Sie, bis das Kreissägeblatt zum Stillstand kommt, bevor Sie das Werkzeug zurückziehen. Richten Sie das Werkzeug auf eine neue Schnittlinie aus, und beginnen Sie einen neuen Schnitt. Vermeiden Sie eine Positionierung, bei der Sie den von der Säge herausgeschleuderten Spänen und dem Holzstaub ausgesetzt sind. Tragen Sie einen Augenschutz, um Augenverletzungen zu vermeiden.

Führungsschiene

Sonderzubehör

Setzen Sie das Werkzeug auf das hintere Ende der Führungsschiene. Drehen Sie zwei Einstellschrauben an der Grundplatte, so dass das Werkzeug ohne Klappern reibungslos gleitet. Halten Sie den Frontgriff und den hinteren Handgriff des Werkzeugs sicher fest. Schalten Sie das Werkzeug ein, drücken Sie das Werkzeug auf die voreingestellte Schnitttiefe nieder, und schneiden Sie entlang der vollen Länge des Splitterschutzes mit einem Hub. Nun entspricht die Kante des Splitterschutzes der Schneidkante.

- **Abb.27:** 1. Einstellschrauben

Verwenden Sie für Neigungsschnitte mit der Führungsschiene den Schiebehebel, um Umkippen des Werkzeugs zu verhindern. Schieben Sie den Schiebehebel an der Grundplatte in Pfeilrichtung, so dass er in die Unterschnittnut in der Führungsschiene eingreift.

- **Abb.28:** 1. Schiebehebel

Zusatzgrundplatte (Richtlineal)

Sonderzubehör

Durch Verwendung der Zusatzgrundplatte als Richtlineal können Sie besonders genaue Geradschnitte ausführen. Lösen Sie die Klemmschrauben, schieben Sie die Zusatzgrundplatte aus dem Werkzeug heraus, und führen Sie sie umgekehrt wieder ein.

- **Abb.29:** 1. Klemmschraube 2. Zusatzgrundplatte

Schieben Sie einfach den Gehrungsanschlag der Zusatzgrundplatte fest gegen die Seite des Werkstücks, und sichern Sie ihn mit den Klemmschrauben. Außerdem ermöglicht er wiederholte Schnitte von gleichförmiger Breite.

- **Abb.30:** 1. Klemmschraube 2. Zusatzgrundplatte

Tauchschnitt (Ausschneiden)

⚠️ WARNUNG: Um Rückschlag zu vermeiden, beachten Sie unbedingt die folgenden Anweisungen.

► **Abb.31:** 1. Hinterkante der Grundplatte 2. Fester Anschlag

Wenn Sie das Werkzeug ohne Führungsschiene verwenden, setzen Sie das Werkzeug so auf das Werkstück, dass die Hinterkante der Grundplatte an einem festen Anschlag oder dergleichen anliegt, der von einem Bediener entwickelt worden ist.

Wenn Sie das Werkzeug mit Führungsschiene verwenden, setzen Sie das Werkzeug so auf die Führungsschiene, dass die Hinterkante der Grundplatte an einem festen Anschlag oder dergleichen anliegt, der auf die Führungsschiene aufgespannt ist.

Halten Sie das Werkzeug mit einer Hand am Frontgriff und mit der anderen am Werkzeuggriff fest. Drücken Sie dann den Einschaltsperrknopf hinein, schalten Sie das Werkzeug ein, und warten Sie, bis das Sägeblatt die volle Drehzahl erreicht. Drücken Sie nun den Sägekopf langsam auf die voreingestellte Schnitttiefe nieder, und schieben Sie das Werkzeug einfach auf die gewünschte Tauchschnittposition vor.

HINWEIS: Die Markierungen auf der Seite der Sägeblattschutzhaube zeigen den vorderen und hinteren Schnittpunkt des Sägeblatts an der maximalen Schnitttiefe bei Verwendung der Führungsschiene.

► **Abb.32:** 1. Vorderer Schneidpunkt 2. Hinterer Schneidpunkt

Führungsvorrichtung

Sonderzubehör

Die Verwendung der Winkelführung gestattet genaue Gehrungsschnitte mit Winkeln und Passarbeiten. Die Verwendung der Klemme gewährleistet festen Halt des Werkstücks auf dem Tisch.

FUNK-AKTIVIERUNGSFUNKTION

Nur für DSP601

Mit der Funk-Aktivierungsfunktion verfügbare Möglichkeiten

Die Funk-Aktivierungsfunktion ermöglicht sauberen und komfortablen Betrieb. Wenn Sie ein unterstütztes Sauggerät an das Werkzeug anschließen, können Sie das Sauggerät automatisch mit der Schalterbetätigung des Werkzeugs betreiben.

► **Abb.33**

Um die Funk-Aktivierungsfunktion zu benutzen, benötigen Sie die folgenden Gegenstände:

- Einen Funk-Adapter (Sonderzubehör)
- Ein Sauggerät, das die Funk-Aktivierungsfunktion unterstützt

Die Übersicht über die Einstellung der Funk-Aktivierungsfunktion ist wie folgt. Ausführliche Verfahren entnehmen Sie bitte dem jeweiligen Abschnitt.

1. Installieren des Funk-Adapters
2. Werkzeugregistrierung für das Sauggerät
3. Starten der Funk-Aktivierungsfunktion

Installieren des Funk-Adapters

Sonderzubehör

⚠️ VORSICHT: Legen Sie das Werkzeug zum Installieren des Funk-Adapters auf eine ebene und stabile Oberfläche.

ANMERKUNG: Entfernen Sie Staub und Schmutz vom Werkzeug, bevor Sie den Funk-Adapter installieren. Staub oder Schmutz können eine Funktionsstörung verursachen, falls sie in den Steckplatz des Funk-Adapters gelangen.

ANMERKUNG: Um eine durch statische Entladung verursachte Funktionsstörung zu verhindern, berühren Sie ein Statikentladungsmaterial, wie z. B. ein Metallteil des Werkzeugs, bevor Sie den Funk-Adapter anfassen.

ANMERKUNG: Achten Sie beim Installieren des Funk-Adapters immer darauf, dass der Funk-Adapter in der korrekten Richtung eingeführt wird und der Deckel vollständig geschlossen ist.

1. Öffnen Sie den Deckel am Werkzeug, wie in der Abbildung gezeigt.

► **Abb.34:** 1. Deckel

2. Führen Sie den Funk-Adapter in den Steckplatz ein, und schließen Sie dann den Deckel.

Wenn Sie den Funk-Adapter einführen, richten Sie die Vorsprünge auf die Vertiefungen des Steckplatzes aus.

► **Abb.35:** 1. Funk-Adapter 2. Vorsprung 3. Deckel 4. Vertiefung

Zum Entfernen des Funk-Adapters öffnen Sie den Deckel langsam. Die Haken an der Rückseite des Deckels heben den Funk-Adapter an, wenn Sie den Deckel hochziehen.

► **Abb.36:** 1. Funk-Adapter 2. Haken 3. Deckel

Bewahren Sie den Funk-Adapter nach der Entnahme in der mitgelieferten Schachtel oder einem statikfreien Behälter auf.

ANMERKUNG: Verwenden Sie immer die Haken an der Rückseite des Deckels zum Entfernen des Funk-Adapters. Falls die Haken den Funk-Adapter nicht greifen, schließen Sie den Deckel vollständig, und öffnen Sie ihn dann wieder langsam.

Werkzeugregistrierung für das Sauggerät

HINWEIS: Ein Makita-Sauggerät, das die Funk-Aktivierungsfunktion unterstützt, ist für die Werkzeugregistrierung erforderlich.

HINWEIS: Die Installation des Funk-Adapters im Werkzeug muss vollendet sein, bevor mit der Werkzeugregistrierung begonnen wird.

HINWEIS: Unterlassen Sie während der Werkzeugregistrierung die Betätigung des Auslöseschalters oder das Einschalten des Ein-Aus-Schalters am Sauggerät.

HINWEIS: Nehmen Sie auch auf die Betriebsanleitung des Sauggerätes Bezug.

Wenn Sie das Sauggerät zusammen mit der Schalterbetätigung des Werkzeugs aktivieren möchten, müssen Sie zuvor die Werkzeugregistrierung beenden.

1. Setzen Sie die Akkus in das Sauggerät und das Werkzeug ein.
2. Stellen Sie den Bereitschaftsschalter am Sauggerät auf „AUTO“.
▶ **Abb.37:** 1. Bereitschaftsschalter
3. Drücken Sie die Funk-Aktivierungstaste am Sauggerät für 3 Sekunden, bis die Funk-Aktivierungslampe in Grün blinkt. Drücken Sie dann die Funk-Aktivierungstaste am Werkzeug in der gleichen Weise.
▶ **Abb.38:** 1. Funk-Aktivierungstaste
2. Funk-Aktivierungslampe

Wenn Sauggerät und Werkzeug erfolgreich verbunden werden, leuchten die Funk-Aktivierungslampen 2 Sekunden lang in Grün auf und beginnen dann in Blau zu blinken.

HINWEIS: Nach Ablauf von 20 Sekunden hören die Funk-Aktivierungslampen auf, in Grün zu blinken. Drücken Sie die Funk-Aktivierungstaste am Werkzeug, während die Funk-Aktivierungslampe am Staubsauger blinkt. Falls die Funk-Aktivierungslampe nicht in Grün blinkt, drücken Sie die Funk-Aktivierungstaste kurz, und halten Sie sie erneut gedrückt.

HINWEIS: Wenn Sie zwei oder mehr Werkzeugregistrierungen für ein Sauggerät durchführen, beenden Sie die Werkzeugregistrierungen nacheinander.

Starten der Funk-Aktivierungsfunktion

HINWEIS: Beenden Sie die Werkzeugregistrierung für das Sauggerät vor der Funk-Aktivierung.

HINWEIS: Nehmen Sie auch auf die Betriebsanleitung des Sauggerätes Bezug.

Nachdem Sie ein Werkzeug im Sauggerät registriert haben, läuft das Sauggerät automatisch mit der Schalterbetätigung am Werkzeug an.

1. Installieren Sie den Funk-Adapter im Werkzeug.
2. Schließen Sie den Schlauch des Sauggerätes am Werkzeug an.
▶ **Abb.39**
3. Stellen Sie den Bereitschaftsschalter am Sauggerät auf „AUTO“.
▶ **Abb.40:** 1. Bereitschaftsschalter
4. Drücken Sie die Funk-Aktivierungstaste am Werkzeug kurz. Die Funk-Aktivierungslampe blinkt in Blau.
▶ **Abb.41:** 1. Funk-Aktivierungstaste
2. Funk-Aktivierungslampe
5. Betätigen Sie den Auslöseschalter des Werkzeugs. Prüfen Sie, ob das Sauggerät läuft, während der Auslöseschalter betätigt wird.

Um die Funk-Aktivierung des Sauggerätes zu stoppen, drücken Sie die Funk-Aktivierungstaste am Werkzeug.

HINWEIS: Die Funk-Aktivierungslampe am Werkzeug hört auf, in Blau zu blinken, wenn 2 Stunden lang kein Betrieb erfolgt. Stellen Sie in diesem Fall den Bereitschaftsschalter am Sauggerät auf „AUTO“, und drücken Sie die Funk-Aktivierungstaste am Werkzeug erneut.

HINWEIS: Das Sauggerät startet/stoppt mit einer Verzögerung. Es tritt eine Zeitverzögerung auf, wenn das Sauggerät eine Schalterbetätigung des Werkzeugs erkennt.










HINWEIS: Die Übertragungreichweite des Funk-Adapters kann abhängig vom Ort und den Umgebungsbedingungen schwanken.

HINWEIS: Wenn zwei oder mehr Werkzeuge in einem Sauggerät registriert sind, kann das Sauggerät anlaufen, selbst wenn Sie den Auslöseschalter nicht betätigen, weil ein anderer Benutzer die Funk-Aktivierungsfunktion benutzt.

Beschreibung des Zustands der Funk-Aktivierungslampe

► Abb.42: 1. Funk-Aktivierungslampe

Die Funk-Aktivierungslampe zeigt den Zustand der Funk-Aktivierungsfunktion an. Die Bedeutung des Lampenzustands ist aus der nachstehenden Tabelle ersichtlich.

Zustand	Funk-Aktivierungslampe				Beschreibung
	Farbe	 Ein	 Blinkend	Dauer	
Bereitschaft	Blau			2 Stunden	Die Funk-Aktivierung des Sauggerätes ist verfügbar. Die Lampe erlischt automatisch, wenn 2 Stunden lang kein Betrieb erfolgt.
				Wenn das Werkzeug läuft.	Die Funk-Aktivierung des Sauggerätes ist verfügbar, und das Werkzeug läuft.
Werkzeugregistrierung	Grün			20 Sekunden	Bereit für die Werkzeugregistrierung. Warten auf die Registrierung durch das Sauggerät.
				2 Sekunden	Die Werkzeugregistrierung ist beendet worden. Die Funk-Aktivierungslampe beginnt, in Blau zu blinken.
Aufheben der Werkzeugregistrierung	Rot			20 Sekunden	Bereit für die Aufhebung der Werkzeugregistrierung. Warten auf die Aufhebung durch das Sauggerät.
				2 Sekunden	Die Aufhebung der Werkzeugregistrierung ist beendet worden. Die Funk-Aktivierungslampe beginnt, in Blau zu blinken.
Sonstiges	Rot			3 Sekunden	Der Funk-Adapter wird mit Strom versorgt, und die Funk-Aktivierungsfunktion wird gestartet.
	Aus	-		-	Die Funk-Aktivierung des Sauggerätes ist gestoppt.

Aufheben der Werkzeugregistrierung für das Sauggerät

Führen Sie das folgende Verfahren durch, um die Werkzeugregistrierung für das Sauggerät aufzuheben.

1. Setzen Sie die Akkus in das Sauggerät und das Werkzeug ein.
2. Stellen Sie den Bereitschaftsschalter am Sauggerät auf „AUTO“.
3. Drücken Sie die Funk-Aktivierungstaste am Sauggerät für 6 Sekunden. Die Funk-Aktivierungslampe blinkt in Grün und wird dann rot. Drücken Sie danach die Funk-Aktivierungstaste am Werkzeug in der gleichen Weise.

- **Abb.44:** 1. Funk-Aktivierungstaste
2. Funk-Aktivierungslampe

Wenn die Aufhebung erfolgreich war, leuchten die Funk-Aktivierungslampen 2 Sekunden lang in Rot auf und beginnen dann in Blau zu blinken.

HINWEIS: Nach Ablauf von 20 Sekunden hören die Funk-Aktivierungslampen auf, in Rot zu blinken. Drücken Sie die Funk-Aktivierungstaste am Werkzeug, während die Funk-Aktivierungslampe am Staubsauger blinkt. Falls die Funk-Aktivierungslampe nicht in Rot blinkt, drücken Sie die Funk-Aktivierungstaste kurz, und halten Sie sie erneut gedrückt.

Fehlersuche für Funk-Aktivierungsfunktion

Bevor Sie den Reparaturdienst anrufen, führen Sie zunächst Ihre eigene Inspektion durch. Falls Sie ein Problem finden, das nicht in der Anleitung erläutert wird, versuchen Sie nicht, das Werkzeug zu zerlegen. Wenden Sie sich stattdessen an autorisierte Makita-Kundendienstzentren, und achten Sie darauf, dass stets Makita-Ersatzteile für Reparaturen verwendet werden.

Zustand der Unregelmäßigkeit	Wahrscheinliche Ursache (Funktionsstörung)	Abhilfemaßnahme
Die Funk-Aktivierungslampe leuchtet/blinkt nicht.	Es ist kein Funk-Adapter im Werkzeug installiert. Der Funk-Adapter ist falsch im Werkzeug installiert.	Installieren Sie den Funk-Adapter korrekt.
	Die Kontakte des Funk-Adapters und/oder des Steckplatzes sind verschmutzt.	Wischen Sie Staub und Schmutz an den Kontakten des Funk-Adapters sachte ab, und reinigen Sie den Steckplatz.
	Die Funk-Aktivierungstaste am Werkzeug ist nicht gedrückt worden.	Drücken Sie die Funk-Aktivierungstaste am Werkzeug kurz.
	Der Bereitschaftsschalter am Sauggerät ist nicht auf „AUTO“ eingestellt.	Stellen Sie den Bereitschaftsschalter am Sauggerät auf „AUTO“.
	Keine Stromversorgung	Versorgen Sie Werkzeug und Sauggerät mit Strom.
Die Werkzeugregistrierung/Aufhebung der Werkzeugregistrierung kann nicht erfolgreich beendet werden.	Es ist kein Funk-Adapter im Werkzeug installiert. Der Funk-Adapter ist falsch im Werkzeug installiert.	Installieren Sie den Funk-Adapter korrekt.
	Die Kontakte des Funk-Adapters und/oder des Steckplatzes sind verschmutzt.	Wischen Sie Staub und Schmutz an den Kontakten des Funk-Adapters sachte ab, und reinigen Sie den Steckplatz.
	Der Bereitschaftsschalter am Sauggerät ist nicht auf „AUTO“ eingestellt.	Stellen Sie den Bereitschaftsschalter am Sauggerät auf „AUTO“.
	Keine Stromversorgung	Versorgen Sie Werkzeug und Sauggerät mit Strom.
	Falsche Bedienung	Drücken Sie die Funk-Aktivierungstaste kurz, und führen Sie das Verfahren der Werkzeugregistrierung/Aufhebung der Werkzeugregistrierung erneut durch.
	Der Abstand zwischen Werkzeug und Sauggerät ist zu groß (außerhalb der Übertragungreichweite).	Verkleinern Sie den Abstand zwischen Werkzeug und Sauggerät. Die maximale Übertragungreichweite beträgt ungefähr 10 m, sie kann aber je nach den Umständen schwanken.
	Vor Beendung der Werkzeugregistrierung/Aufhebung der Werkzeugregistrierung: - der Auslöseschalter am Werkzeug wird betätigt, oder - die Ein-Aus-Taste am Sauggerät wird eingeschaltet.	Drücken Sie die Funk-Aktivierungstaste kurz, und führen Sie das Verfahren der Werkzeugregistrierung/Aufhebung der Werkzeugregistrierung erneut durch.
	Die Verfahren der Werkzeugregistrierung für das Werkzeug oder das Sauggerät sind nicht beendet.	Führen Sie die Verfahren der Werkzeugregistrierung sowohl für das Werkzeug als auch das Sauggerät zum selben Zeitpunkt durch.
Funkstörungen durch andere Geräte, die starke Funkwellen erzeugen.	Halten Sie das Werkzeug und das Sauggerät von solchen Geräten wie WLAN-Geräten und Mikrowellenöfen fern.	

Zustand der Unregelmäßigkeit	Wahrscheinliche Ursache (Funktionsstörung)	Abhilfemaßnahme
Das Sauggerät läuft bei der Schalterbetätigung des Werkzeugs nicht an.	Es ist kein Funk-Adapter im Werkzeug installiert. Der Funk-Adapter ist falsch im Werkzeug installiert.	Installieren Sie den Funk-Adapter korrekt.
	Die Kontakte des Funk-Adapters und/oder des Steckplatzes sind verschmutzt.	Wischen Sie Staub und Schmutz an den Kontakten des Funk-Adapters sachte ab, und reinigen Sie den Steckplatz.
	Die Funk-Aktivierungstaste am Werkzeug ist nicht gedrückt worden.	Drücken Sie die Funk-Aktivierungstaste kurz, und vergewissern Sie sich, dass die Funk-Aktivierungslampe in Blau blinkt.
	Der Bereitschaftsschalter am Sauggerät ist nicht auf „AUTO“ eingestellt.	Stellen Sie den Bereitschaftsschalter am Sauggerät auf „AUTO“.
	Es sind mehr als 10 Werkzeuge im Sauggerät registriert.	Führen Sie die Werkzeugregistrierung erneut durch. Wenn mehr als 10 Werkzeuge im Sauggerät registriert werden, wird die Registrierung des ersten Werkzeugs automatisch gelöscht.
	Das Sauggerät hat alle Werkzeugregistrierungen gelöscht.	Führen Sie die Werkzeugregistrierung erneut durch.
	Keine Stromversorgung	Versorgen Sie Werkzeug und Sauggerät mit Strom.
	Der Abstand zwischen Werkzeug und Sauggerät ist zu groß (außerhalb der Übertragungreichweite).	Verkleinern Sie den Abstand zwischen Werkzeug und Sauggerät. Die maximale Übertragungreichweite beträgt ungefähr 10 m, sie kann aber je nach den Umständen schwanken.
	Funkstörungen durch andere Geräte, die starke Funkwellen erzeugen.	Halten Sie das Werkzeug und das Sauggerät von solchen Geräten wie WLAN-Geräten und Mikrowellenöfen fern.
Das Sauggerät läuft an, obwohl der Auslöseschalter des Werkzeugs nicht betätigt wurde.	Andere Benutzer nutzen die Funk-Aktivierung des Sauggerätes mit ihren Werkzeugen.	Schalten Sie die Funk-Aktivierungstaste der anderen Werkzeuge aus, oder heben Sie die Werkzeugregistrierung der anderen Werkzeuge auf.

WARTUNG

⚠ VORSICHT: Vergewissern Sie sich vor der Durchführung von Inspektions- oder Wartungsarbeiten stets, dass das Werkzeug ausgeschaltet und der Akku abgenommen ist.

⚠ VORSICHT: Säubern Sie die Schutzhaube, um sicherzugehen, dass kein angesammeltes Sägemehl vorhanden ist, das die Funktion des Schutzsystems beeinträchtigen könnte. Ein verschmutztes Schutzsystem kann die ordnungsgemäße Funktion einschränken, was zu schweren Personenschäden führen kann. Am effektivsten kann diese Reinigung mit Druckluft durchgeführt werden. **Verwenden Sie unbedingt einen geeigneten Augenschutz und eine Atemmaske, um sich vor dem aus der Schutzhaube herausgeblasenen Staub zu schützen.**

ANMERKUNG: Verwenden Sie auf keinen Fall Benzin, Waschbenzin, Verdünner, Alkohol oder dergleichen. Solche Mittel können Verfärbung, Verformung oder Rissbildung verursachen.

Einstellen der 0°- und 45°-Schnittgenauigkeit

ANMERKUNG: Rücken Sie nicht die Hebel für -1°-Neigungswinkel ein, wenn Sie eine 0°-Schnittgenauigkeit einstellen.

ANMERKUNG: Rücken Sie nicht den Hebel für 48°-Neigungswinkel ein, wenn Sie eine 45°-Schnittgenauigkeit einstellen.

Diese Einstellungen sind werksseitig durchgeführt worden. Falls sie jedoch verstellt sind, können Sie sie nach den folgenden Verfahren korrigieren.

1. Lösen Sie die Klemmschrauben an der Vorder- und Rückseite des Werkzeugs geringfügig.
2. Stellen Sie den Sägeblattwinkel ein.
▶ **Abb.45:** 1. Einstellendreieck

Um die 0°-Schnittgenauigkeit einzustellen, richten Sie die Grundplatte mithilfe eines Einstellendreiecks oder Richtlineals usw. durch Drehen der Einstellschraube senkrecht zum Sägeblatt aus.
▶ **Abb.46:** 1. Einstellschraube für 0°-Schnitt

Um die 45°-Schnittgenauigkeit einzustellen, richten Sie die Grundplatte mithilfe eines Einstellendreiecks durch Drehen der Einstellschraube auf 45° zum Sägeblatt aus.
▶ **Abb.47:** 1. Einstellschraube für 45°-Schnitt

3. Ziehen Sie die Klemmschrauben fest, und führen Sie einen Probesschnitt durch.

Um die SICHERHEIT und ZUVERLÄSSIGKEIT dieses Produkts zu gewährleisten, sollten Reparaturen und andere Wartungs- oder Einstellarbeiten nur von Makita-Vertragswerkstätten oder Makita-Kundendienstzentren unter ausschließlicher Verwendung von Makita-Originalersatzteilen ausgeführt werden.

SONDERZUBEHÖR

⚠ VORSICHT: Die folgenden Zubehörteile oder Vorrichtungen werden für den Einsatz mit dem in dieser Anleitung beschriebenen Makita-Werkzeug empfohlen. Die Verwendung anderer Zubehörteile oder Vorrichtungen kann eine Verletzungsgefahr darstellen. Verwenden Sie Zubehörteile oder Vorrichtungen nur für ihren vorgesehenen Zweck.

Wenn Sie weitere Einzelheiten bezüglich dieser Zubehörteile benötigen, wenden Sie sich bitte an Ihre Makita-Kundendienststelle.

- Kreissägeblatt
- Zusatzgrundplatte
- Inbusschlüssel
- Führungsschiene
- Winkelführung
- Klemme
- Platte
- Gummiplatte
- Positionsplatte
- Funk-Adapter (für DSP601)
- Original-Makita-Akku und -Ladegerät

HINWEIS: Manche Teile in der Liste können als Standardzubehör im Werkzeugsatz enthalten sein. Sie können von Land zu Land unterschiedlich sein.

Makita Europe N.V. Jan-Baptist Vinkstraat 2,
3070 Kortenberg, Belgium

Makita Corporation 3-11-8, Sumiyoshi-cho,
Anjo, Aichi 446-8502 Japan

www.makita.com

885610A975
EN, PL, HU, SK,
CS, UK, RO, DE
20170804